

INTRODUCTION

Thank you for purchasing a Honda lawnmower!

This manual covers the operation and maintenance of the Honda HRX537VYE lawnmower.

We want to help you get the best results from your new mower and to operate it safely. This manual contains the information on how to do that; please read it carefully.

This manual should be considered a permanent part of the lawnmower and should remain with it if it is resold.

If you have a problem or questions concerning the mower, contact your supplying dealer.

We recommend that you read the warranty policy to fully understand your rights and responsibilities. The warranty policy is a separate document provided by your dealer.

Honda Power Equipment Mfg., Inc. reserves the right to make changes at any time without notice and without incurring any obligation.

No part of this publication may be reproduced without written permission.

SAFETY MESSAGES

Pay special attention to statements preceded by the following words:

⚠ DANGER You WILL be KILLED or SERIOUSLY HURT if you don't follow instructions.

⚠ WARNING You CAN be KILLED or SERIOUSLY HURT if you don't follow instructions.

⚠ CAUTION You CAN be HURT if you don't follow instructions.

Each message tells you what the hazard is, what can happen, and what you can do to avoid or reduce injury.

DAMAGE PREVENTION MESSAGES

You will also see other important messages that are preceded by the following word:

NOTICE Your lawnmower, other property, or the environment can be damaged if you don't follow instructions.

The purpose of these messages is to help prevent damage to your lawnmower, other property, or the environment.



00X39VH7 V460

HONDA

OWNER'S MANUAL (Original instructions) HRX537VYE PEDESTRIAN CONTROLLED LAWNMOWER



CONTENTS

INTRODUCTION	1	MAINTENANCE	12
SAFETY MESSAGES	1	The Importance of	
SAFETY INSTRUCTIONS	2	Maintenance	12
Safety Label Location	3	Maintenance Schedule	13
Product Identification Plate	3	Engine Maintenance	13
COMPONENT		Control Cable Adjustments	15
IDENTIFICATION	3	Cutting means Removal and	
SETUP	4	Installation	15
CONTROLS	5	Grass catcher Cleaning and	
PRE-OPERATION CHECKS	6	Replacement	16
Cutting Means	6	TRANSPORTING	16
Engine Oil Level	6	STORAGE	17
Fuel	7	TROUBLESHOOTING	18
Grass Catcher	7	SPECIFICATIONS	19
Cutting Height	8	Honda Warranty Conditions,	
Clip Director	8	EC Declaration of Conformity,	
Rear Discharge	9	Honda Distributor Locations	
OPERATION	10Last page	
Mowing Precautions	10		
Starting the Engine	10		
Stopping the Engine	10		
Safe Mowing Practices	11		
Mowing Tips	11		

© 2018 American Honda Motor Co., Inc.—All Rights Reserved



HPE.2018.09
PRINTED IN U.S.A.

SAFETY INSTRUCTIONS

WARNING

To ensure safe operation –



- Honda lawnmowers are designed to give safe and dependable service if operated according to instructions. Read and understand the Owner's Manual before operating the mower. Failure to do so could result in personal injury or equipment damage.

- Read instructions carefully, and become familiar with controls and proper use of equipment.
- Use the lawnmower for the purpose it is intended for, that is mowing and collecting grass. Any other use could be dangerous or damage the equipment.
- Never allow children or people unfamiliar with these instructions to use the lawnmower. Local regulations may restrict the age of the operator.
- Never mow when:
 - People, especially children, or pets are nearby.
 - User is under medication or has swallowed substance known to affect judgment or reactions.
 - There is a risk of adverse weather such as lightning or a storm.
- Keep in mind that the operator or user is responsible for injuries or hazards occurring to other people or their property.
- While mowing, always wear substantial footwear and long trousers. Do not operate the equipment when barefoot or wearing sandals.
- Thoroughly inspect the area where the equipment is to be used, and remove all objects which may be thrown by the machine (stones, branches, wires, bones, etc...).
- **WARNING - Petrol is highly flammable:**
 - Store fuel in containers specifically designed for this purpose.
 - Refuel outdoors only, before starting the engine, and do not smoke while refueling or handling fuel.
 - Never remove the cap of the fuel tank or add petrol while the engine is running or when the engine is hot.
 - If petrol is spilled, do not attempt to start the engine, but move the machine away from the area of spillage, and avoid creating any source of ignition until the petrol vapors have dissipated.
 - Install fuel caps securely.
 - Before tipping the lawnmower to maintain the cutting means or drain oil, remove fuel from the tank.
- Replace faulty mufflers.
- Before using, always visually inspect to see that the cutting means, cutting-means bolts, and cutting-means enclosure are not worn or damaged. Replace worn or damaged cutting means and cutting-means bolts in sets to preserve balance.
- Do not operate the engine in a confined space where dangerous carbon monoxide fumes can collect.
- Mow only in daylight or good artificial light.
- If there is a risk of adverse weather such as lightning or a storm, stop operation.
- Avoid operating the equipment in wet grass, where possible.
- While mowing, always keep the safety distance to the cutting means, which is provided by the handle length.
- Walk, never run. Do not let yourself be pulled by the lawnmower.
- Always be sure of your footing on slopes. Mow across the face of slopes, never up and down.
- Exercise extreme caution when changing direction on slopes.
- Do not mow slopes of more than 20°.
- Use extreme caution when pulling the lawnmower toward you.
- Stop the cutting means if the lawnmower has to be tilted for transporting, when crossing surfaces other than grass, and when transporting the lawnmower to and from the area to be mowed.
- Never operate the lawnmower with defective guards or shields, or without safety devices such as discharge guard and/or grass catcher.
- Do not change the engine governor setting or over-speed the engine.
- Disengage the cutting-means control and drive clutch control before starting the machine.
- Start the engine carefully according to the instructions and with feet well away from the cutting means.
- Do not tilt the lawnmower when starting the engine.
- Start the lawnmower on a level surface, free of high grass or obstacles.

- Keep hands and feet away from rotating parts.
 - Do not start the engine when standing in front of the discharge opening.
- Never pick up or carry a lawnmower while the engine is running.
- Stop the engine and disconnect the spark plug cap:
 - Before any operation under the cutting-means enclosure or the discharge chute.
 - Before checking, cleaning, or working on the lawnmower.
 - After striking a foreign object. Inspect the lawnmower for damage and make repairs before restarting and operating the lawnmower.
 - If lawnmower starts to vibrate abnormally, Check immediately the cause of the vibration and perform the necessary repair.
- Stop the engine in the following cases:
 - Whenever you leave the lawnmower.
 - Before refueling the lawnmower.
- Stop the cutting means in the following cases:
 - When installing or removing the grass catcher.
 - Before adjusting the cutting height.
- Reduce the throttle setting during engine shut-down, and turn the fuel valve off at the conclusion of mowing.
- Using any attachments other than those recommended in this manual may cause damage to your lawnmower and such damage will not be covered by your guarantee.
- Keep all nuts, bolts, and screws tight to be sure the equipment is in safe working condition. Regular maintenance is an essential aid to user's safety and retaining a high level of performance.
- Never store the equipment with petrol in the tank inside a building where fumes may reach an open flame, spark or high temperature source.
- Allow the engine to cool before storing in any enclosure.
- To reduce the fire hazard, keep the lawnmower, especially the engine and silencer, the petrol storage area, and battery compartment (if applicable) free of grass, leaves, or excessive grease.
 - Do not leave container of grass cuttings in or near a building.
- If the fuel tank has to be drained, this should be done outdoors with a cold engine.
- Check the grass catcher frequently for wear or deterioration.
- Do not use the machine with worn or damaged parts.
 - Part must be replaced, not repaired. Replace worn or damaged parts with Honda genuine parts.
 - Cutting means must always bear the mark Honda and the reference number. Non equivalent quality parts may damage the machine and be prejudicial to your safety.
- Wear thick gloves when removing or installing the cutting means or when cleaning the cutting-means enclosure.
 - When tightening or loosening the cutting-means bolts, use a wooden block to prevent the cutting means from rotating.
- Always make sure the correct balance of the cutting means when sharpening.
- Wear eye protection.
- Never use the machine in cases of fatigue or illness of the user, or after consumption of medications, drugs, alcohol or dangerous substances which might interfere with his ability regarding reflexes and concentration.
- When using the machine, always wear safety shoes that are strong and non-slip and long trousers. Do not use the machine with bare feet or wearing open shoes. Avoid wearing chains, bracelets or baggy clothes with loose parts or with lacing or neck ties. Long hair must be tied back. Always wear an anti-noise helmet.
- Please remember that the operator or user is responsible for any accidents or unexpected events that may occur to other persons or their property. The user is responsible for checking on possible risks due to the ground to be worked on, and for taking all precautions necessary for ensuring his own safety and that of others, in particular on sloping ground, rough, slippery or unstable terrain, or near holes, ditches or banks.
- **CAUTION –** The levels for noise and vibration indicated in this information sheet are the maximum values for using the machine. The use of an unbalanced cutting device, an excessive speed of movement and a lack of maintenance have a significant effect on sound emissions and vibration. It is therefore necessary to take preventive measures to eliminate all possible damage due to high noise levels, and stresses due to vibrations; please ensure that the machine is well maintained, wear an anti-noise helmet. Take breaks during the work.

Disposal

To protect the environment, do not dispose of this product, battery, engine oil, etc. carelessly by leaving them in the waste. Observe the local laws and regulations or consult your authorized Honda dealer for disposal.

SAFETY LABEL LOCATION

This label warns you of potential hazards that can cause serious injury. Carefully read meaning. If label comes off or becomes hard to read, contact your dealer for a replacement.

Letter	Meaning
A	
	<ol style="list-style-type: none"> 1. Read the owner's manual before using the mower. 2. Risk of projections: Keep third persons away from the area during use. 3. Risk of cuts. Rotating cutting means: Do not put hands or feet inside the cutting means enclosure. Disconnect the spark plug cap before performing any operation of maintenance or repairs. 4. Do not operate without either discharge guard or grass catcher in place.

B	
	<ol style="list-style-type: none"> 5. Read the owner's manual before using the mower. 6. The engine emits toxic carbon monoxide. Do not run in an enclosed area. 7. Petrol is highly flammable. Stop the engine before refueling.

PRODUCT IDENTIFICATION PLATE

Letter	Meaning
C	
	<ol style="list-style-type: none"> 1. Sound power level guaranteed according to directive 2000/14/EC 2. Conformity mark according to EC directive 3. Conformity mark optional 4. Nominal power in kilowatts 5. Maximum operating engine speed 6. Month/Year of manufacture 7. Weight in kilograms 8. Serial number 9. Model 10. Name and address of authorized representative 11. Name and address of Manufacturer
<p>Name and address of manufacturer and authorized representative are written in the "EC Declaration of Conformity" CONTENT OUTLINE in this Owner's Manual.</p>	

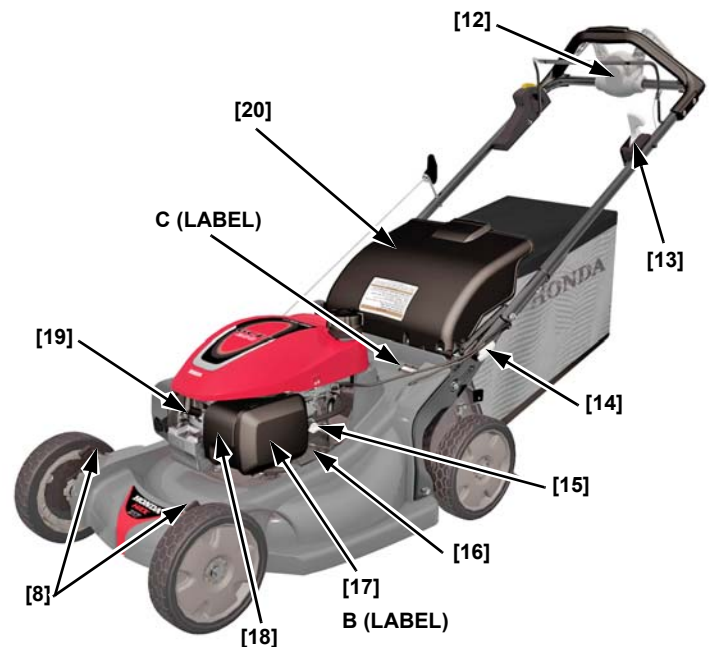
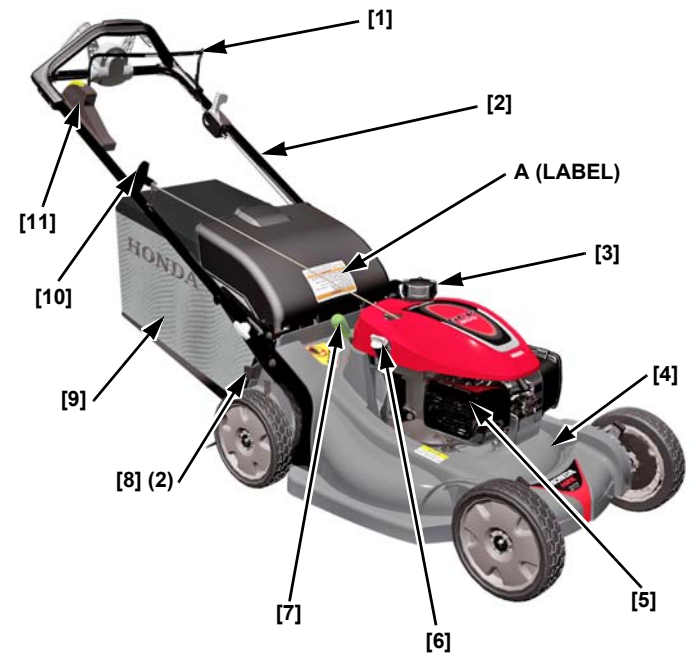
Record the frame and engine serial numbers in the space below. you will need these numbers when ordering parts and when making technical or warranty inquires.

Frame serial number: _____ - _____

Engine serial number: _____ - _____

Date of purchase: ____ / ____ / ____

COMPONENT IDENTIFICATION



1	Cutting means control (<i>Starts and stops the cutting means</i>)
2	Handlebar
3	Fuel tank cap
4	Cutting-means enclosure
5	Muffler
6	Oil filler cap
7	Clip Director knob
8	Cutting height adjuster (4)
9	Grass catcher
10	Recoil starter

11	Roto-Stop button (<i>Activates the cutting-means control lever</i>)
12	Select Drive control
13	Throttle lever
14	Handlebar adjust knob (2)
15	Fuel valve
16	Engine serial number
17	Air cleaner
18	Carburetor
19	Spark plug cap
20	Discharge guard

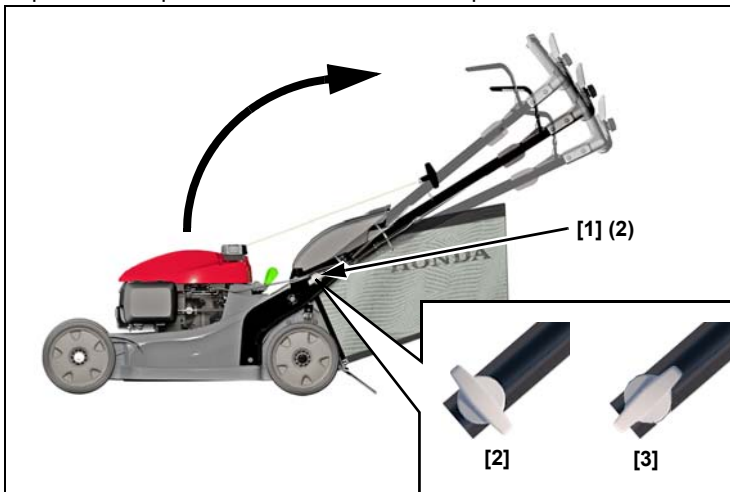
SETUP

UNPACKING

Remove all the cardboard from around the handlebar.

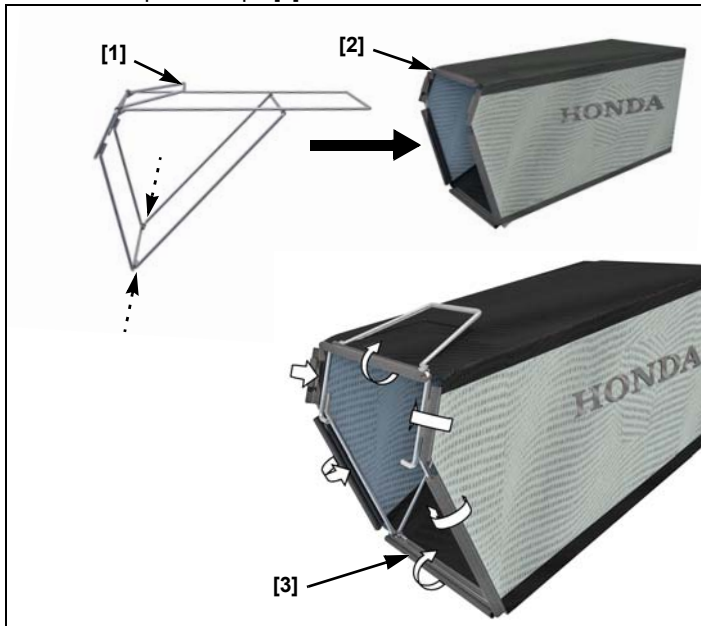
HANDLEBAR SETUP

1. Turn the handlebar adjust knobs [1] 90 degrees into the unlock position [2].
2. Move the handlebar into the mowing position so that the locating pins align with either the upper, middle, or lower holes on the handlebar mounting brackets.
3. Turn the adjust knobs 90 degrees into the lock position [3] and the pins will snap into the holes and lock into position.

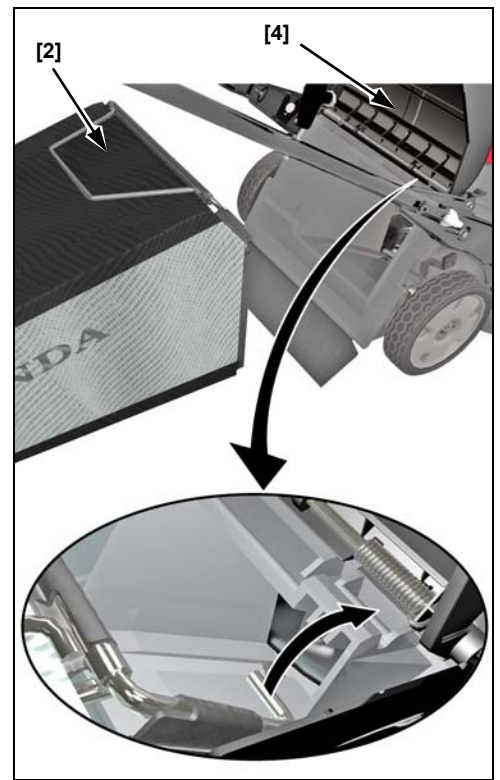


GRASS CATCHER ASSEMBLY

1. Slide the grass catcher frame [1] into the grass catcher [2] and install the plastic clips [3] as shown.



2. Lift the discharge guard [4] and install the grass catcher [2].



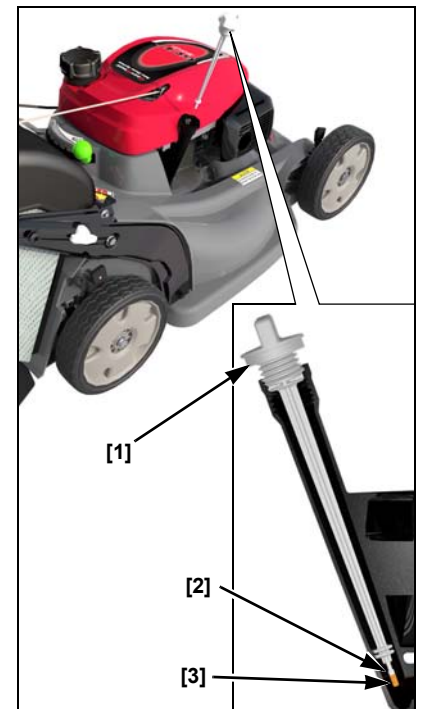
ENGINE OIL

The mower is shipped **WITHOUT OIL** in the engine.

Add enough SAE 10W-30 API service category SJ or later oil to bring the oil level between the upper limit [2] and lower limit [3] marks on the dipstick [1] as shown.

Refill amount: 0.35 ~ 0.40 L

Do not overfill the engine with oil. If the engine is overfilled, the excess oil may get transferred to the air cleaner housing and air filter.



FUEL

Refer to page 7.

BEFORE USING YOUR LAWNMOWER

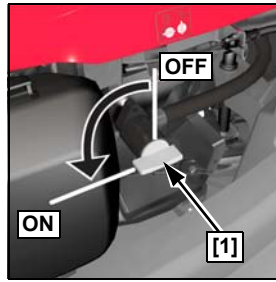
Before using the lawnmower, all mower operators must read the following chapters:

- **SAFETY INSTRUCTIONS** (page 2)
- **CONTROLS** (page 5)
- **PRE-OPERATION CHECKS** (page 6)
- **OPERATION** (page 10)
- **MAINTENANCE SCHEDULE** (page 13)

CONTROLS

FUEL VALVE

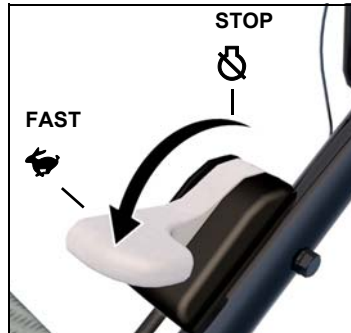
The fuel valve [1] opens and closes the connection between the fuel tank and the carburetor.



THROTTLE LEVER

For best cut quality, always mow with the throttle lever in the FAST position. When the cutting means rotate at the preset fast speed, they create a strong fan action that lifts and cuts grass more efficiently.

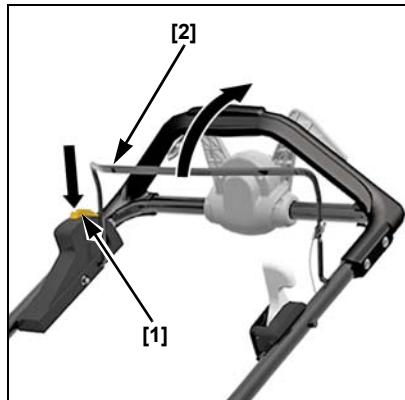
Do not try to increase the preset FAST engine speed; the cutting means could fracture and come apart.



CUTTING MEANS CONTROL SYSTEM

To start cutting means rotation, make sure the engine is running and the throttle lever is in the FAST position.

1. Push down and hold the Roto-Stop® button [1].
2. Pull the cutting-means control lever [2] quickly against the handlebar allowing the engine to bring the cutting means up to full speed and then release the Roto-Stop button.



Continue to hold the cutting-means control lever against the handlebar to maintain cutting means rotation. Always keep the cutting-means control lever fully engaged while mowing. Do not partially disengage - doing so will reduce the life of the clutch system.

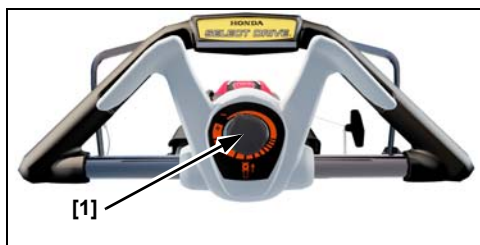
Release the cutting-means control lever to stop cutting means rotation. Always release the cutting means control lever before starting the engine to prevent the cutting means from rotating.

SELECT DRIVE CONTROL

With the engine running and the cutting means rotating, slowly push the Select Drive control [1] to propel the mower forward.

Normal operation is with your hand comfortably around the handle bar and Select Drive control. Push the Select Drive control with your thumb into the indentation for boost operation (up a hill, or through thick grass).

You can reduce the ground speed by partially releasing the Select Drive control.



Ground speed varies with terrain, grass height, slope, and grass bag weight. Moving the Select Drive knob or varying how far you push the Select Drive control forward allows you to maintain the desired ground speed under constantly changing mowing conditions.

Release the Select Drive control to disengage (stop) the rear wheels.

Disengage the drive when mowing around trees and other obstacles. Push the mower around obstacles for better directional control.

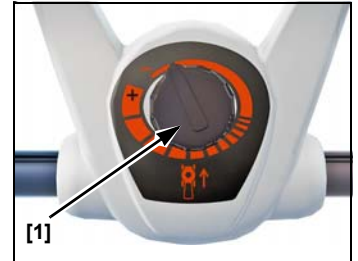
Adjusting The Select Drive Control Knob

The Select Drive control knob [1] allows you to adjust the maximum ground speed when the Select Drive lever is fully engaged.

Adjustment is from MIN to MAX. With the Select Drive lever fully engaged:

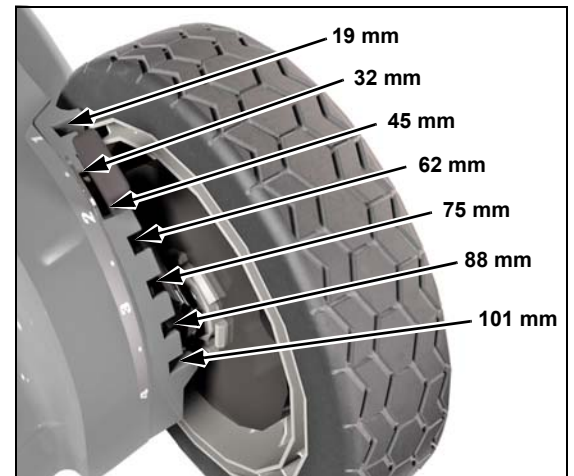
MIN will propel the lawnmower at its slowest speed.

MAX will propel the lawnmower at its fastest speed.

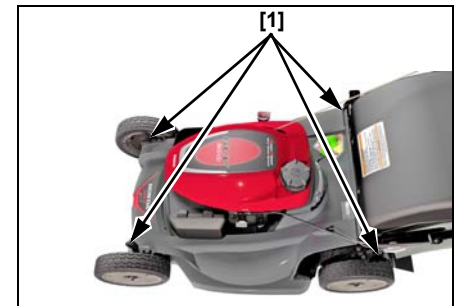


CUTTING HEIGHT ADJUSTMENT LEVERS

There are seven adjustment settings. The cutting height figures are approximate. The actual height of cut grass will vary with lawn and soil conditions.



There is one adjustment lever [1] for each wheel.



CLIP DIRECTOR KNOB

The Clip Director knob [1] controls grass catching, mulching, and rear discharge. The knob has ten adjustment positions.



PRE-OPERATION CHECKS

ARE YOU READY TO MOW?

Be sure to wear protective clothing. Long pants and eye protection can lower your risk of injury from thrown objects. Wear footwear that protects your feet and won't let you slip if you mow on slopes or uneven ground.

CHECK YOUR LAWN

For your safety and for the safety of others, always inspect the area before mowing.

Objects

Anything that can be picked up by the cutting means and thrown is a potential hazard to you and others. Look for things like stones, sticks, bones, and wire. Remove them from the mowing area.

People and Pets

People and animals near the mowing area can move into your path or into a position where they could be struck by thrown objects. Clear the area of people, especially children, and pets. Their safety is your responsibility.

Lawn

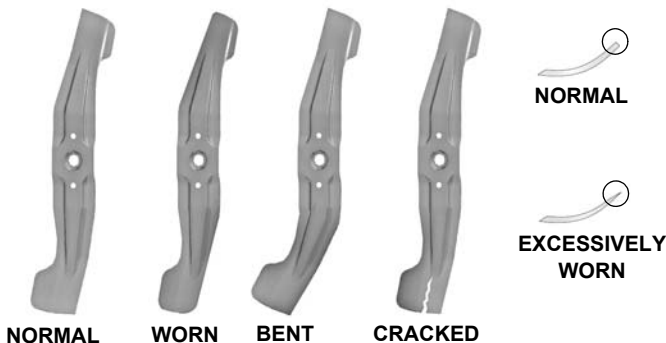
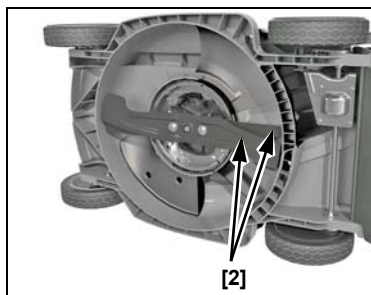
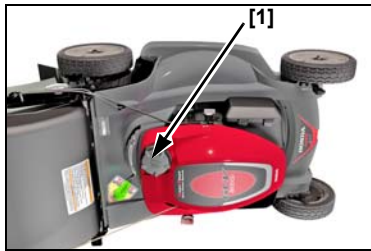
Check the length and condition of the grass, so that you will know what cutting height and mowing speed to use.

Avoid mowing wet grass. Not only will wet grass clog your mower deck and collect in clumps on the lawn, it also gives poor traction, increasing your risk of losing your footing.

CHECK YOUR MOWER

Cutting Means

1. Move the throttle lever to the STOP position (page 5).
2. Move the fuel valve to the OFF position (page 5).
3. Disconnect the spark plug cap from the spark plug (page 14).
4. Tilt the mower to the right so the fuel cap [1] is up. This will help prevent fuel leakage, motor oil seeping into the air filter, and hard starting.
5. Inspect the cutting means [2] for damage, cracks, and excessive wear, rust, or corrosion.



⚠ WARNING

A worn, cracked, or damaged cutting means can break, and pieces of the damaged cutting means can become dangerous projectiles.

Blades thrown from the mower could seriously hurt or kill someone.

Inspect the cutting means regularly, and do not operate the mower with a worn or damaged cutting means.

A dull cutting means can be sharpened, but a cutting means that is worn out, bent, cracked, or otherwise damaged must be replaced. A worn or damaged cutting means can break, causing cutting means pieces to be thrown from the mower.

When a cutting means needs sharpening or replacement, take the lawnmower to an authorized Honda dealer. Or, if you have a torque wrench, you can remove and install the cutting means yourself.

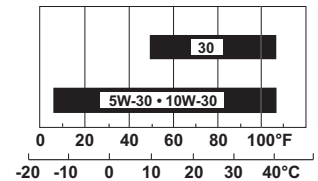
Check that the cutting means bolts are tight (page 15).

Engine Oil Level

Check the engine oil level with the engine stopped and the mower on a level surface.

Use 4-stroke motor oil that meets or exceeds the requirements for API service classification SJ or later. Always check the API service label on the oil container to be sure it includes the letters SJ or later.

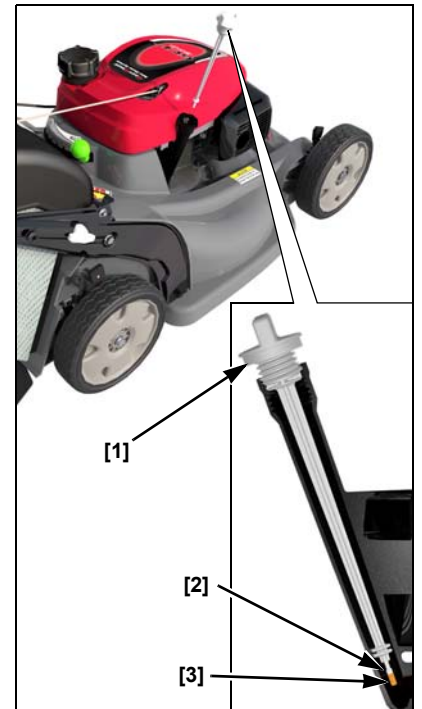
SAE 10W-30 is recommended for general use. Other viscosities shown in the chart may be used when the average temperature in your area is within the indicated range.



NOTICE

- Running the engine with a low oil level can cause engine damage.
- Using nondetergent oil can shorten the engine's service life, and using 2-stroke oil can damage the engine.

1. Remove the oil filler cap/dipstick [1], and wipe the dipstick clean.
2. Insert the dipstick into the filler neck. Do not screw it down. Remove the dipstick and check the oil level.
3. If the oil level is near the low level mark [3], add the recommended oil to bring the level up to the high limit mark [2]. Do not overfill.
4. Install and tighten the filler cap/dipstick [1] securely.



Fuel

This engine is certified to operate on unleaded petrol with a research octane rating of 91 or higher.

We recommend refueling after each use to minimize the air present in the fuel tank.

Refuel in a well-ventilated area before starting the engine. If the engine has been running, allow it to cool. Never refuel the mower inside a building where petrol fumes may reach flames or sparks.

You may use regular unleaded petrol containing no more than 10% ethanol (E10) or 5% methanol by volume. In addition, methanol must contain cosolvents and corrosion inhibitors. Use of fuels with content of ethanol or methanol greater than shown above may cause starting and/or performance problems. It may also damage metal, rubber, and plastic parts of the fuel system. In addition, ethanol is hygroscopic, which means it attracts and retains water in the fuel system. Engine damage or performance problems that result from using a fuel with percentages of ethanol or methanol greater than shown above are not covered by warranty.

If your equipment will be used on an infrequent or intermittent basis, (more than 4 weeks before next use) please refer to the *Fuel* section of the STORAGE chapter (page 17) for additional information regarding fuel deterioration.

⚠ WARNING

Petrol is highly flammable and explosive.

You can be burned or seriously injured when handling fuel.

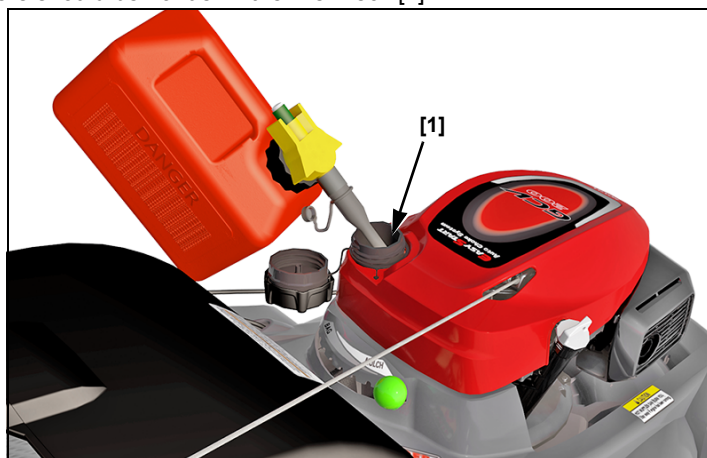
- Stop the engine and allow to cool.
- Keep heat, sparks, and flame away.
- Handle fuel only outdoors.
- Wipe up spills immediately.

Never use stale or contaminated petrol or an oil/petrol mixture. Avoid getting dirt or water in the fuel tank.

NOTICE

Fuel can damage paint and plastic. Be careful not to spill fuel when filling your fuel tank. Damage caused by spilled fuel is not covered under warranty.

Remove the fuel tank cap and check the fuel level. Refill the tank if the fuel level is low. Refuel carefully to avoid spilling fuel. Do not overfill; there should be no fuel in the filler neck [1].



After refueling, tighten the fuel tank cap securely.

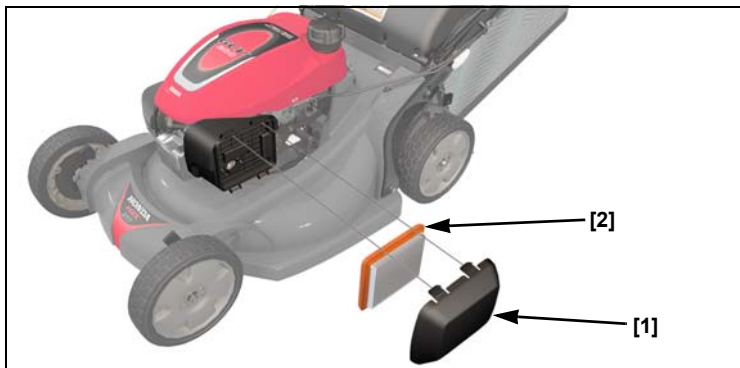
Move the mower at least 3 meters away from the fueling source and site before starting the engine.

Fuel Storage Container

Store your petrol in a clean, plastic, sealed container approved for fuel storage. Close the vent (if equipped) when not in use, and store the container away from direct sunlight. If it will take more than 3 months to use the fuel in the container, we suggest adding a fuel stabilizer to the fuel when you fill the container.

Air Cleaner Inspection

Remove cover [1]. Make sure the filter [2] is clean and in good condition. A dirty air filter will restrict air flow to the carburetor, reducing engine performance. Refer to page 14 for air cleaner service.



Handlebar Height Adjustment

Adjust handlebar height to a comfortable operating position (page 4).

Grass Catcher

A lawnmower works like a vacuum cleaner; it blows air through the catcher, which traps the grass clippings. Always empty the grass catcher before it becomes filled to the limit of its capacity. Catching performance will diminish after the catcher becomes about 90% filled. Also, the catcher is easier to empty when it is not packed full.

Inspection

During normal use, the grass catcher material is subject to deterioration and wear.

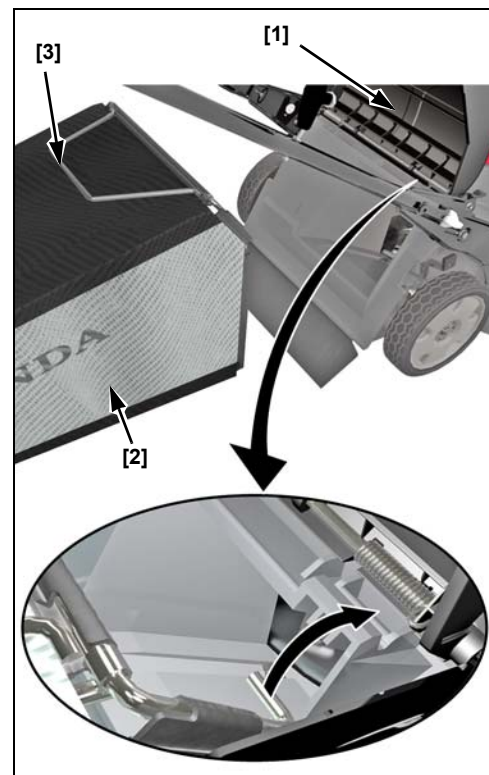
NOTICE

Frequently inspect the grass catcher for tears, holes, and excessive wear. Check for necessary replacement. Make sure the new catcher meets the original specifications.

If the grass catcher needs replacement, you can remove and install a catcher yourself (page 16).

Installation

1. Raise the discharge guard [1], and use the grass catcher handle [3] to hook the grass catcher [2] onto the mower deck as shown.
2. Release the discharge guard to secure the grass catcher.

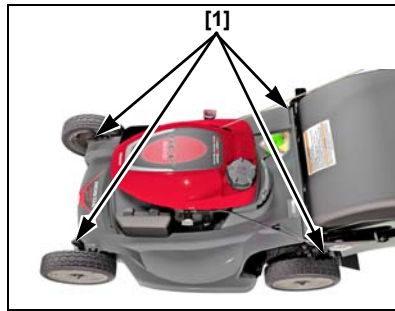


Removal

1. Raise the discharge guard, grasp the grass catcher handle, and remove the grass catcher.
2. Release the discharge guard.
3. When the grass catcher is clear of the discharge guard, you can lift it through the handlebar opening, or you can remove it to the rear of the mower below the handlebar.

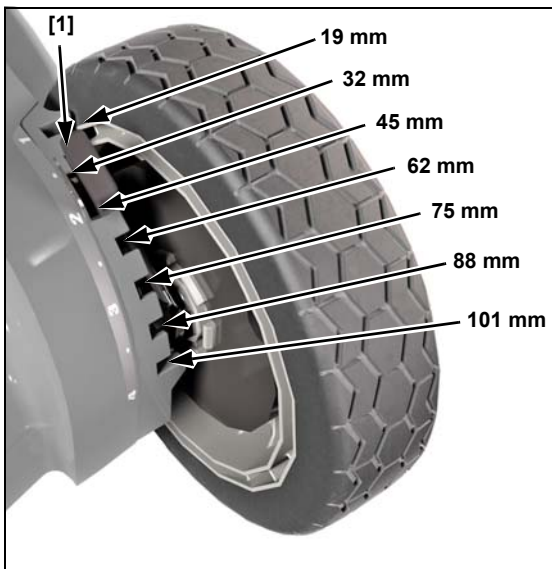
Cutting Height

Check the mower deck cutting height settings, and be sure that all four adjustment levers [1] are set to the same cutting height position.



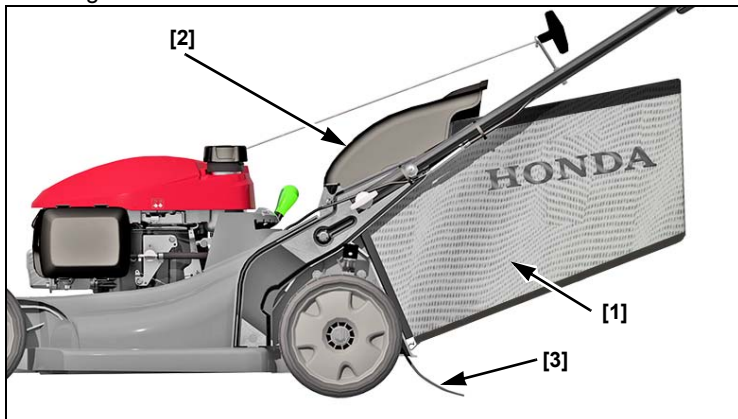
To adjust cutting height, pull each adjustment lever [1] toward the wheel, and move it into another notch.

If you are not sure what cutting height to select, start with a high setting and check the appearance of the lawn after mowing a small area. Then readjust cutting height if necessary.



Rear Shield

During normal use the rear shield [3] is subject to deterioration and wear. Remove the grass catcher [1] and raise the discharge guard [2] to check the rear shield for cracks or tears. If the rear shield is excessively worn, have it replaced by your authorized Honda servicing dealer.

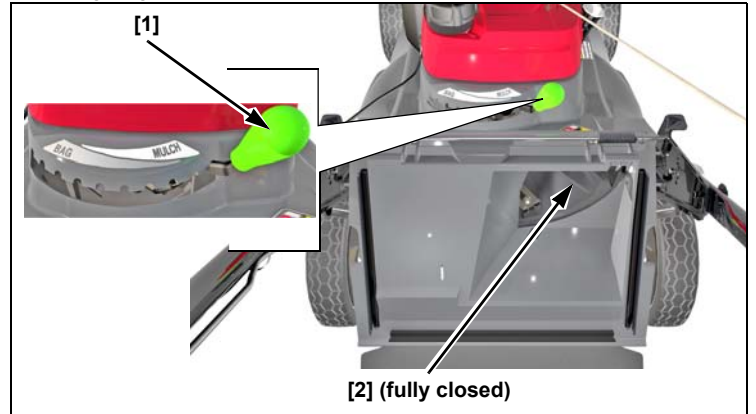


Clip Director

Clip Director Knob Adjustment

Adjust the Clip Director knob [1] in any one of the ten positions to achieve the desired mowing results.

To adjust the Clip Director knob, pull the knob downward and towards the rear of the mower. The knob adjusts a sliding door [2] from the fully open BAG position to the fully closed MULCH position (see the following page).



If a high resistance is noticed when moving the Clip Director knob from side-to-side, excessive grass may have built up on top of the sliding door.

Some grass accumulation in the discharge opening is normal when the Clip Director is fully closed. To remove this grass, close the discharge guard [3], fully open the Clip Director, start the engine, and engage the cutting means control lever several times.

Important Safety Precaution

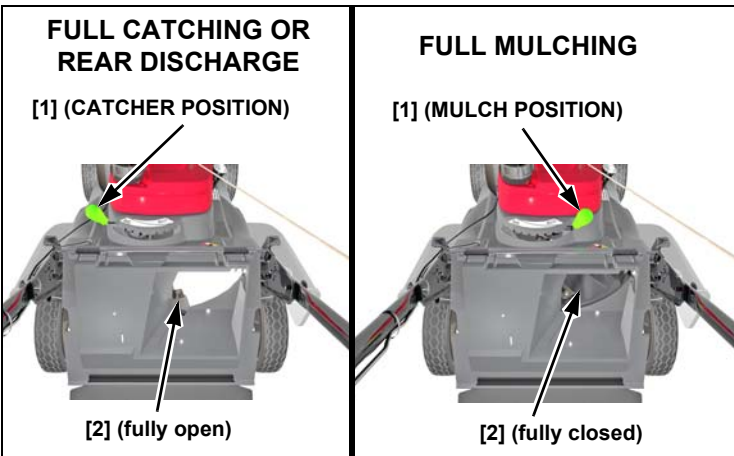
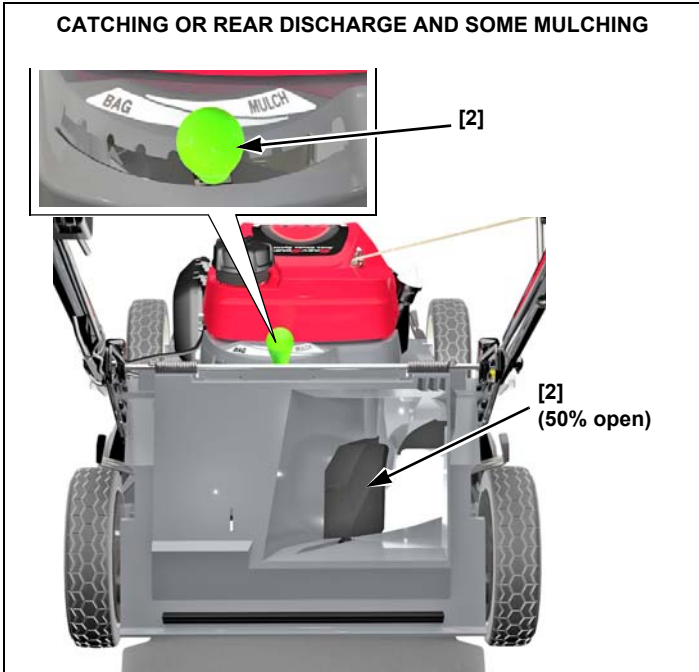
Always turn the engine off and disconnect the spark plug cap before lifting the discharge guard to view or clean around the sliding door. This will prevent contact with the rotating cutting means and prevent objects from being thrown into the discharge area.

Some grass accumulation in the discharge opening is normal when the Clip Director is fully closed. To remove this grass, close the discharge guard, fully open the Clip Director, and start the engine.

If a high resistance is noticed when moving the Clip Director knob from side-to-side, excessive grass may have built up on top of the sliding door.

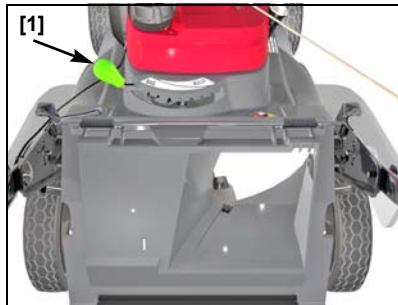
Sliding Door Position

The sliding door [2] can be positioned to produce different mowing results. If the preferred sliding door position is unknown, install a grass catcher and begin mowing with the Clip Director knob [1] all the way to the left (BAG) position. Check the appearance of the lawn. As the knob is moved towards the MULCH position, more grass will be recycled back into the lawn. Adjust the Clip Director knob until the desired result is achieved.



Rear Discharge

To discharge clippings to the rear, remove the grass catcher and position the Clip Director knob [1] in the BAG range.



Maximum rear discharge will occur when the Clip Director knob is all the way to the left (BAG) position. As the Clip Director knob is moved toward the right (MULCH) position, less grass will be discharged through the rear discharge guard.



OPERATION

MOWING PRECAUTIONS

Before operating the mower for the first time, please review *SAFETY INSTRUCTIONS* (page 2) and *PRE-OPERATION CHECKS* (page 6).

Even if you have operated other mowers, take the time to become familiar with how this mower works, and practice in a safe area until you build up your skills.

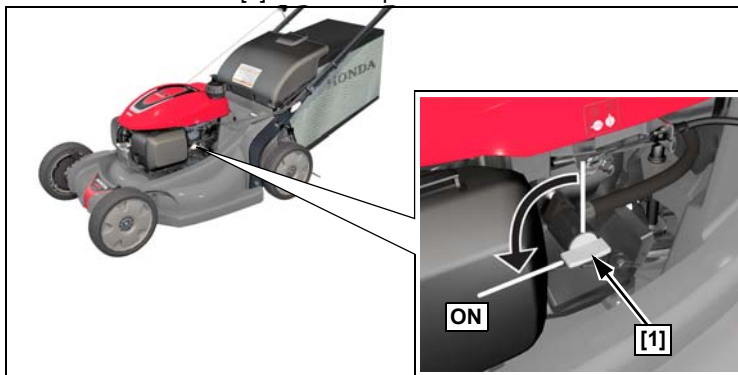
For your safety, do not start or operate the engine in an enclosed area such as a garage. Your mower's exhaust contains poisonous carbon monoxide gas that can collect rapidly in an enclosed area and cause illness or death.

FREQUENCY OF USE

If your equipment will be used on an infrequent or intermittent basis, (more than 4 weeks before next use) please refer to the *Fuel* section of the *STORAGE* chapter (page 17) for additional information regarding fuel deterioration.

STARTING THE ENGINE

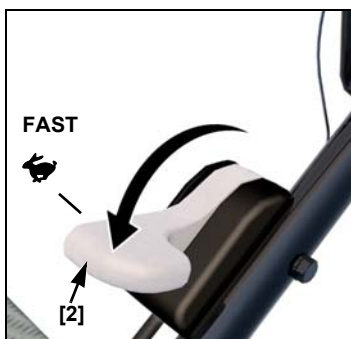
1. Turn the fuel valve [1] to the ON position.



2. Move the throttle lever [2] to the fast (🔥) position.

3. Pull the starter grip lightly until you feel resistance, then pull briskly. Return the starter grip gently.

To keep the cutting means from turning and to prevent the mower from moving forward, always release the cutting means control lever and Select Drive control when you pull the starter.



4. Put the throttle lever in the FAST (🔥) position to mow or to the SLOW (🐢) position to idle.

To ensure easy restarting and maximum performance from the Auto Choke System, start mowing as soon as the engine starts and allow the engine to run for at least three minutes before stopping the engine.

High Altitude Operation

At high altitude, the standard carburetor air-fuel mixture will be too rich. Performance will decrease, and fuel consumption will increase. A very rich mixture will also foul the spark plug and cause hard starting.

High altitude performance can be improved by specific modifications to the carburetor. If you always operate your mower at altitudes above 1,500 meters, have a Honda dealer perform this carburetor modification.

Even with carburetor modification, engine power will decrease about 3.5% for each 300 meter increase in altitude. The effect of altitude on power will be greater than this if no carburetor modification is made.

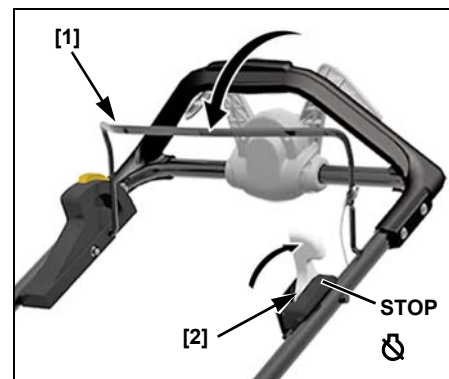
NOTICE

When the carburetor has been modified for high altitude operation, the air-fuel mixture will be too lean for low altitude use. Operation at altitudes below 1,500 meters with a modified carburetor may cause the engine to overheat and result in serious engine damage. For use at low altitudes, have your authorized Honda dealer return the carburetor to original factory specifications.

STOPPING THE ENGINE

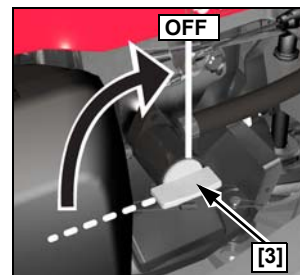
1. Release the cutting means control lever [1] to stop the cutting means rotation.

2. Move the throttle lever [2] to the STOP (🛑) position to stop the engine.



3. When the mower is not in use, turn the fuel valve [3] to the OFF position.

4. If your equipment will not be used for 3 to 4 weeks, we recommend running the engine's carburetor out of fuel. You can do this by leaving the fuel valve OFF, restarting the engine and running it out of fuel. See "Storage" on page 17 for periods of inactivity that exceed 4 weeks.



SAFE MOWING PRACTICES

For your safety, keep all four wheels on the ground, and be careful to avoid losing your footing and your control of the mower. Keep a firm grip on the handlebar, and walk, never run, with the mower. Be very careful when mowing uneven or rough ground.

If stuck, do not kick or shove the mower with your foot. Use the handlebar to control the mower.

⚠ DANGER

The cutting means are sharp and spin at high speed.

If you come in contact with a spinning cutting means, it will cut you severely and can amputate fingers and toes.

- Wear protective footwear.
- Keep your hands and feet away from the mower deck while the engine is running.
- Stop the engine before performing any adjustment, inspection, or maintenance.

Stability

Mow across slopes, not up and down. Avoid steep slopes (more than 20°), and be careful when changing direction. Mowing on a slope when the grass is damp or wet could cause you to slip, fall, and lose control of the mower.



Obstacles

Use the side of the mower to cut close to large obstacles, such as fences or walls.

Release the Select Drive control to disengage the drive when mowing around trees and other obstacles. Push the mower around obstacles for better directional control. Be careful when mowing over obstacles embedded in the lawn, such as sprinkler heads, paving, edging, etc. Avoid anything that sticks up above the surface of the lawn.

If the cutting means hits something, or if the mower starts to vibrate, stop the engine immediately and check for damage. Striking objects may damage the cutting means, bend the crankshaft, and/or break the mower deck or other components. Vibration usually indicates serious trouble.

⚠ WARNING

A worn, cracked, or damaged cutting means can break, and pieces of the damaged cutting means can become dangerous projectiles.

Blades thrown from the mower could seriously hurt or kill someone.

Inspect the cutting means regularly, and do not operate the mower with a worn or damaged cutting means.

The warranty does not cover parts damaged by accident or collision.

Gravel and Loose Objects

Gravel, loose stones, and landscaping material can be picked up by the mower and thrown many feet with enough force to cause serious personal injury and/or property damage. The best way to prevent potential injury from thrown objects is to release the cutting means control lever to stop the cutting means before reaching areas with gravel, loose stones, or landscaping material.

MOWING TIPS

When to Mow

Most grasses should be mowed when they have grown 12 ~ 25 mm above their recommended height.

More frequent mowing is required for mulching than for catching. For best results, you may need to mow the lawn twice a week during the growing season.

Cutting Height

Consult a local nursery or lawn and garden center for cutting height recommendations and advice about specific types of grasses and growing conditions in your area.



LONG ENOUGH

If you look closely, you'll see that most grass has stems and leaves. If you cut off the leaves, you'll scalp the lawn. Let the grass recover between mowings. Your mower will work better, and your lawn will look better.



TOO SHORT

If your grass gets too tall, cut it once at the highest cutting height setting, and then mow again in 2 or 3 days. Don't take off more than one third of total grass height in any one mowing, or brown patches may develop.

Cutting height adjustment levers are explained in the *CONTROLS* chapter (page 5).

Cutting Width

For an even lawn finish, overlap each mowing swath by a few centimeters. If the grass is very tall or thick, use more overlap and a narrower mowing swath.

Cutting Means Speed

The cutting means must spin very fast to cut properly. Always use the fast throttle setting, and keep the engine running at maximum speed.

If engine speed drops, it could mean the engine is being overloaded by the cutting means trying to cut too much grass. Mow a narrower swath, move the mower slower, or raise the cutting height.

Cutting Means Sharpness

A sharp cutting means cuts cleanly. A dull cutting means tears the grass, leaving shredded ends that turn brown. When your cutting means doesn't cut cleanly anymore, have it sharpened or replaced.

Dry Grass

If the ground is too dry, mowing will stir up a lot of dust. Besides being unpleasant to work in, too much dust will clog the carburetor air filter.

If dust is a problem, water your lawn the day before mowing. Mow when the grass is dry to your touch, but the soil is still moist.

Wet Grass

Wet grass is slippery and can make you lose your footing. Also, wet grass clippings will clog the mower deck and collect in clumps on the lawn. Always wait for wet grass to dry before mowing.

Fallen Leaves

Your mower can be used to pick up fallen leaves for disposal. If using the mower to catch large amounts of fallen leaves, and not for mowing, set the cutting height adjustment levers so the front of the mower deck is one or two settings higher than the rear. To start, position the Clip Director knob in the #9 position (not quite full mulching). This setting will allow the leaves to be recirculated and recut until the particles are small enough to pass through the sliding door opening and into the grass catcher. Mulching when the leaves are still damp will help cut down on the amount of dust created.

Depending on the size, type, and water content of the leaves, it may be necessary to open the sliding door to allow for best catching results. Using the sliding door correctly will allow better grass catcher filling, resulting in less grass catcher emptying. Be sure there are no obstacles, including rocks, hidden under the leaves.

If you want to mulch fallen leaves into your lawn, don't let the leaf cover get too deep before you begin. For best results, start mulching while grass still shows through the leaf cover. Position the Clip Director knob in the MULCH position. In places where fallen leaves completely cover the grass, remove the leaves by raking, or use the grass catcher so your mower can pick them up for disposal.

Clogged Cutting-means Enclosure

Before clearing a clogged cutting-means enclosure, stop the engine and turn the fuel valve to the OFF position. With the spark plug cap disconnected, tilt the mower so the air cleaner side is up.

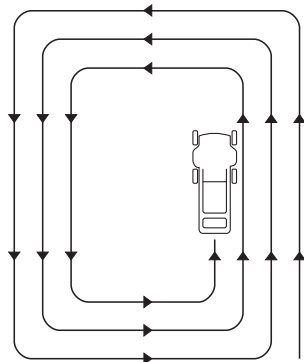
Clear a clogged cutting-means enclosure with a stick, not your hands.

Mowing Patterns

Your Honda mower will work most efficiently if you use the following mowing patterns as much as possible. Mower deck and equipment design, and the direction in which the cutting means rotate, cause these mowing patterns to give the best results.

Mulching

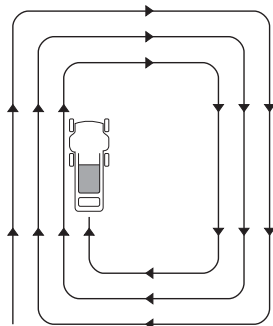
Use a counterclockwise mowing pattern [1] when the Clip Director knob is in the full MULCH position. If the lawn has an irregular shape, or many obstacles, divide it into sections where you can use counterclockwise mowing patterns.



[1]

Catching

Use a clockwise mowing pattern [2]. This will give the best Clip Director and catching performance, leaving the least amount of clippings on the lawn.



[2]

Rear Discharge Mowing

Remove the grass catcher and close the discharge guard. Adjust the Clip Director knob to the desired setting and begin mowing in a clockwise mowing pattern [2]. If the lawn has an irregular shape, or many obstacles, divide it into sections.

MAINTENANCE

THE IMPORTANCE OF MAINTENANCE

Good maintenance is essential for safe, economical, and trouble-free operation. It will also help reduce air pollution.

To help you properly care for your mower, the following pages include a maintenance schedule, routine inspection procedures, and simple maintenance procedures using basic hand tools. Other service tasks that are more difficult, or require special tools, are best handled by professionals and are normally performed by a Honda technician or other qualified mechanic.

The maintenance schedule applies to normal operating conditions. If you operate your mower under unusual conditions, consult an authorized Honda dealer for recommendations applicable to your individual needs and use.

Remember that your Honda dealer knows your mower best and is fully equipped to maintain and repair it.

To ensure the best quality and reliability, use only new, Honda Genuine parts or their equivalents for repair and replacement.

⚠ WARNING

Improper maintenance, or failure to correct a problem before operation, can cause a malfunction in which you can be seriously hurt or killed.

Always follow the inspection and maintenance recommendations and schedules in this owner's manual.

Maintenance safety

Some of the most important safety precautions follow. However, we cannot warn you of every conceivable hazard that can arise in performing maintenance. Only you can decide whether or not you should perform a given task.

⚠ WARNING

Failure to properly follow maintenance instructions and precautions can cause you to be seriously hurt or killed.

Always follow the procedures and precautions in this owner's manual.

Safety Precautions

- Make sure the engine is off before you begin any maintenance or repairs. This will eliminate several potential hazards:
 - **Carbon monoxide poisoning from engine exhaust.**
Be sure there is adequate ventilation whenever you operate the engine.
 - **Burns from hot parts.**
Let the engine and exhaust system cool before touching.
 - **Injury from moving parts.**
Do not run the engine unless instructed to do so.
- Read the instructions before you begin, and make sure you have the tools and skills required.
- To reduce the possibility of fire or explosion, be careful when working around petrol. Use only a nonflammable solvent, not petrol, to clean parts. Keep cigarettes, sparks, and flames away from all fuel-related parts.

MAINTENANCE SCHEDULE

Perform at every indicated month/year or operating hour interval, whichever comes first.

Regular Service Period	Item	Page
Before each use	Check: Grass catcher Check: Cutting means Check: Operation of the cutting-means control Check: Engine oil level Check: Air filter Check: Rear shield Check: Cutting-means bolts	page 4 page 6 page 5 page 6 page 7 page 8 page 16
First month or 5 hours	Change: Engine oil ¹ Adjust: Select Drive cable	page 13 page 15
First 25 hours	Clean: Air filter ¹ Adjust: Select Drive cable	page 14 page 15
Every 6 months or 50 hours	Change: Engine oil ¹ Clean: Air filter ¹ Adjust: Select Drive cable	page 13 page 14 page 15
Every year or 100 hours	<i>6 month items above plus:</i> Check-adjust: Spark plug Clean: Spark arrester ³ (if equipped) Check: Operation of the cutting-means control Grease: Pinion gears ² Adjust: Throttle cable ² Adjust: Valve clearance ² Adjust: Idle speed ² Clean: Fuel tank ²	page 14 page 14 page 5
Every 2 years or 150 hours	<i>1 year items above plus:</i> Change: Engine oil ¹ Replace: Air filter Inspect-grease: Rear wheel adjuster bushing ²	page 13 page 14
Every 2 years	Check: Fuel lines replace if necessary ²	

1. Service more frequently when used in dusty areas.
2. These items should be serviced by an authorized Honda servicing dealer, unless you have the proper tools and are mechanically proficient. Refer to the Honda shop manual for service procedures.
3. In Europe and other countries where machinery directive 2006/42/EC is enforced, this cleaning should be done by your servicing dealer.

Failure to follow this maintenance schedule could result in non-warrantable failures.

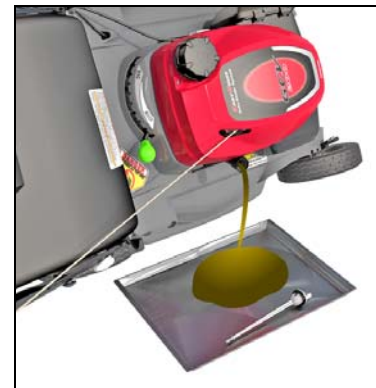
ENGINE MAINTENANCE

Engine Oil Change

Drain the oil while the engine is warm. Warm oil drains quickly and completely.

1. Put the throttle lever in the STOP position and turn the fuel valve OFF. This will reduce the possibility of fuel leakage (page 5).
2. Wipe the oil filler area clean, and then remove the oil filler cap/dipstick.

3. Place a suitable container next to the mower to catch the used oil, and then tilt the mower on its right side. The used oil will drain through the filler neck. Allow the oil to drain completely.



Please dispose of used motor oil and the containers in a manner that is compatible with the environment. We suggest you take it in a sealed container to your local recycling center or service station for reclamation. Do not throw it in the trash, pour it on the ground or pour it down a drain.

4. Fill with the recommended oil (page 6).

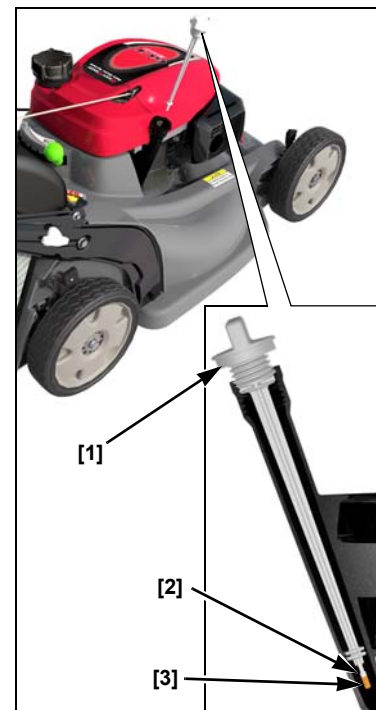
Refill amount: 0.35 ~ 0.40 L

Do not overfill. Measure the oil level as shown below.



5. After changing the engine oil and before starting the engine, check the oil level with the mower on a level surface:

- a. Remove the filler cap/dipstick [1].
- b. Wipe the dipstick clean.
- c. Insert and remove the dipstick without screwing it into the filler neck. Check the oil level shown on the dipstick.
- d. If the oil level is below the low level mark [3], add oil to reach the high limit mark [2] on the dipstick. Do not overfill. If the engine is overfilled, the excess oil may get transferred to the air cleaner housing and air cleaner filter.



NOTICE

Running the engine with a low oil level can cause engine damage.

- e. Screw in the filler cap/dipstick securely.

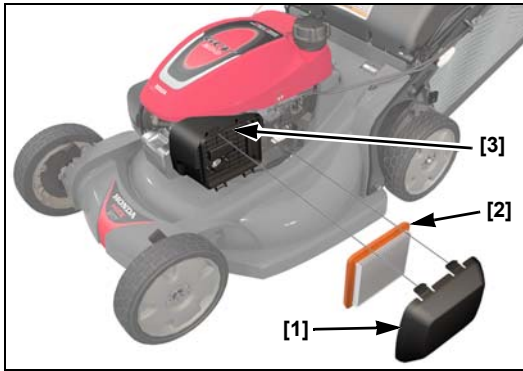
Air Cleaner Service

A properly maintained air filter will help prevent dirt from entering your engine. Dirt entering the carburetor can be drawn into small passages in the carburetor and cause premature engine wear. These small passages can become blocked, causing starting or running problems. Always use an air filter specified for your engine to ensure it seals and performs as designed. You will need to clean the filter more frequently if you operate the engine in very dusty conditions.

NOTICE

Operating the engine without an air filter, or with a damaged filter, will allow dirt to enter the engine, causing rapid engine wear. This type of damage is not covered by the warranty.

1. Press down on the air cleaner cover [1] tabs, and then remove the cover.



2. Remove the filter [2] from the air cleaner housing [3].
3. Inspect the filter, and replace it if it is damaged.
4. Clean the filter by tapping the filter several times on a hard surface to remove dirt, or blow compressed air (not exceeding 207 kPa) through the filter from the inside. Never try to brush off dirt; brushing will force dirt into the fibers.
5. Wipe dirt from the inside of the air cleaner housing and cover, using a moist rag. Be careful to prevent dirt from entering the air duct that leads to the carburetor.
6. Reinstall the filter and cover.

Spark Plug Service

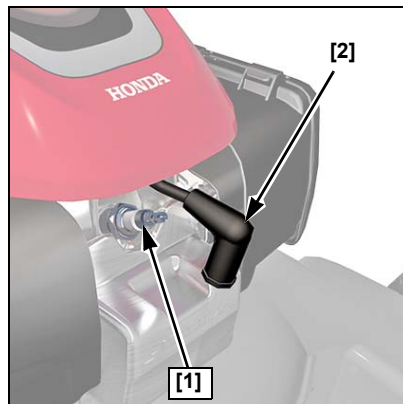
Required spark plugs: NGK - BPR5ES

NOTICE

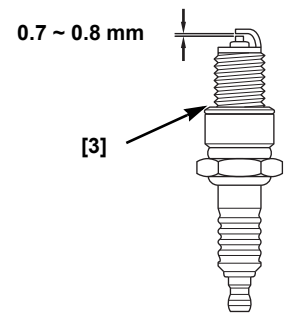
Incorrect spark plugs can cause engine damage.

For good performance, the spark plug [1] must be properly gapped and free of deposits.

1. Disconnect the spark plug cap [2], and remove any dirt from around the spark plug area.
2. Remove the spark plug with a spark plug wrench.



3. Inspect the spark plug. Replace it if the electrodes are worn or if the insulator is cracked or chipped. Clean the spark plug with a wire brush if you are going to reuse it.
4. Measure the spark plug electrode gap with a suitable gauge. The gap should be 0.7 ~ 0.8 mm. Correct the gap, if necessary, by carefully bending the side electrode.
5. Install the spark plug carefully, by hand, to avoid cross-threading.
6. After the spark plug seats, tighten with a spark plug wrench to compress the washer.



If reinstalling the old spark plug, tighten 1/8 to 1/4 turn after the spark plug seats.

If installing a new spark plug, tighten 1/2 turn after the spark plug seats to compress the washer [3].

TORQUE: 20 N•m

NOTICE

A loose spark plug can overheat and damage the engine. Overtightening the spark plug can damage the threads in the cylinder head.

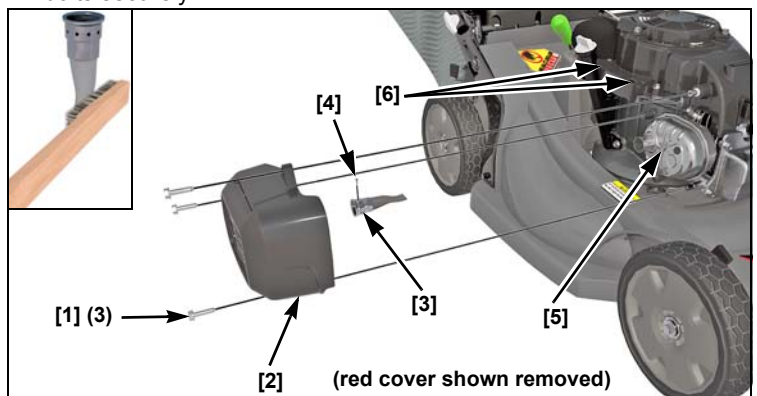
7. Install the spark plug cap on the spark plug.

Spark Arrester Service

In Europe and other countries where machinery directive 2006/42/EC is enforced, this cleaning should be done by your servicing dealer.

The spark arrester must be serviced every 100 hours to keep it functioning as designed.

1. Allow the engine to cool.
2. Unclip the two red top cover tabs [6] on the muffler side of the engine, and then slightly lift the red top cover up to expose the upper muffler shield bolt [1].
3. Remove the three bolts [1] from the muffler shield [2] using a 10 mm socket wrench.
4. Remove the muffler shield [2].
5. Remove the set screw [4].
6. Remove the spark arrester [3] from the muffler [5].
7. Check for carbon deposits on the spark arrester and the exhaust port. Brush carbon deposits away. Be careful to avoid damaging the spark arrester screen.
8. Install the spark arrester into the muffler.
9. Install the muffler components on the engine, and tighten the three bolts securely.



CONTROL CABLE ADJUSTMENTS

Select Drive Cable Adjustment

With the engine off, loosen the jam nut [1] one revolution.

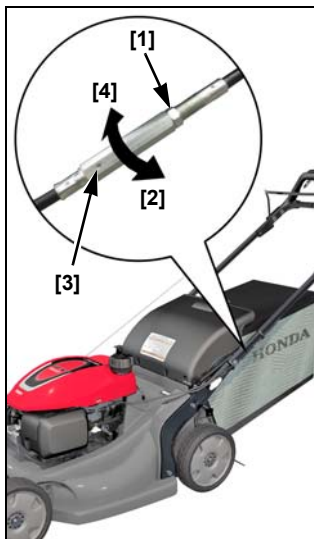
With the Select Drive control released, TIGHTEN [4] the adjuster by turning clockwise 1 revolution by hand, and then pull the lawnmower rearward to check resistance.

If no wheel resistance exists, repeat the above procedure until the wheels lock when pulling rearward. It will usually take more than 8 turns for the wheels to lock up.

Next, use the adjuster mark [3] and LOOSEN [2] the adjuster counterclockwise 8 complete revolutions.

Hold the adjuster and tighten the lock nut against the adjuster. Push the lawnmower forward and pull backward and check for little or no resistance.

Start the engine to ensure the lawnmower does not move forward without pushing the Select Drive control.



CUTTING MEANS REMOVAL AND INSTALLATION

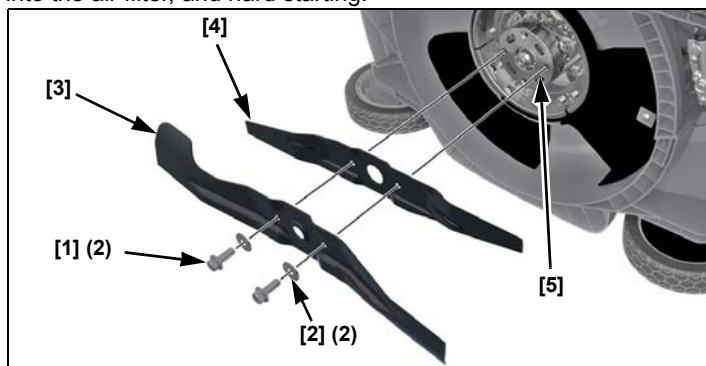
If you remove the cutting means for sharpening or replacement, you will need a torque wrench for installation. Wear heavy gloves to protect your hands.

CUTTING MEANS SHARPENING: To avoid weakening the cutting means, or causing imbalance or poor cutting, the cutting means should be sharpened by trained staff at an authorized Honda dealer.

CUTTING MEANS REPLACEMENT: Use Honda Genuine replacement cutting means or their equivalent.

Cutting Means Removal

1. Put the throttle lever in the STOP position.
2. Disconnect the spark plug cap. Tilt the mower to the right so the fuel cap is up. This will help prevent fuel leakage, motor oil seeping into the air filter, and hard starting.



3. Use a 14 mm (6 point) socket wrench and remove the two cutting means bolts [1] and special washers [2] from the cutting means control assembly [5]. Use a wooden block to prevent the cutting means from turning when removing the bolts.
4. Remove the upper [4] and lower cutting means [3].

Cutting Means Installation

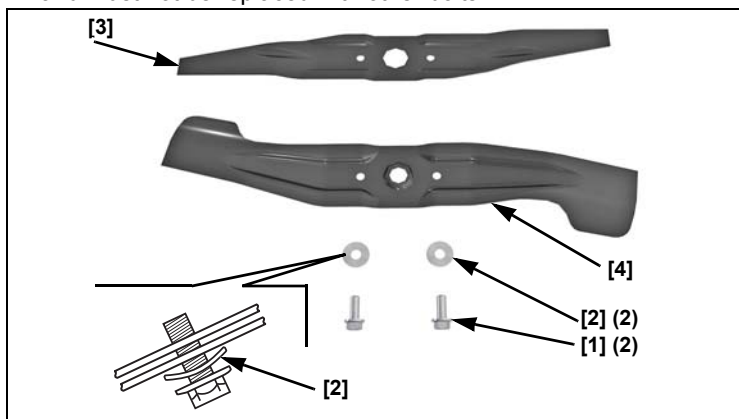
1. Clean dirt and grass from around the cutting means mounting area.
2. Install the cutting means [3] and [4] using the two cutting means bolts [1] and special washers [2] as shown.

⚠ WARNING

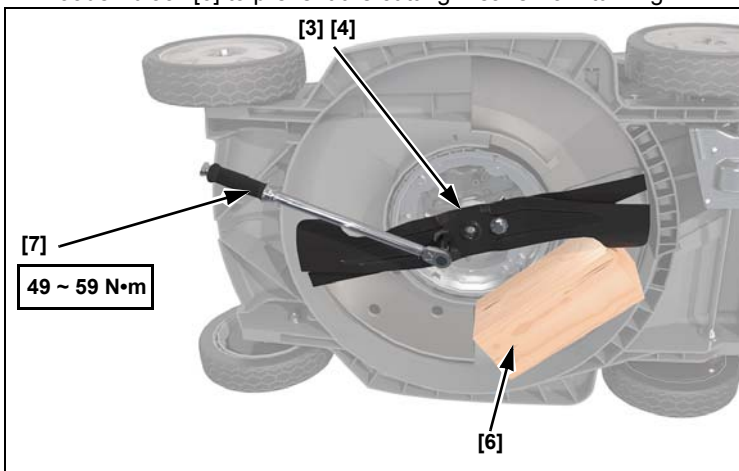
Operating this mower with only one cutting means will result in an improperly seated cutting means. Blades thrown from the mower could seriously hurt or kill someone. Always use both cutting means as a set.

Be sure to install the special washers with the concave side toward the cutting means and the convex side toward the head of the bolt.

The cutting means bolts are specially designed for this application and must not be replaced with other bolts.



3. Tighten the cutting means bolts with a torque wrench [7]. Use a wooden block [6] to prevent the cutting means from turning.



Cutting means bolt torque: 49 ~ 59 N·m

If you do not have a torque wrench, have an authorized Honda dealer tighten the cutting means bolts before you use the mower. If the cutting means bolts are overtightened, they could break. If the cutting means bolts are not tightened enough, they could loosen or come out. In either case, it would be possible for the cutting means to fly off while you are operating the mower.

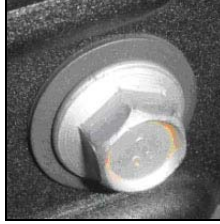
Cutting-means Mounting Bolt Inspection

Inspect the cutting-means bolts for any signs of damage or looseness. If they are damaged, they must be replaced.

If they appear loose, a torque wrench must be used to accurately tighten the cutting-means bolts to the required torque. If you do not have a torque wrench, take your lawnmower to an authorized dealer to have the bolts replaced or tightened.

Use only Honda Genuine cutting-means bolts and special washers, since they are specifically designed for this purpose. Replacement part numbers are on page 18.

Inspect washers and bolt heads for looseness and damage.



GRASS CATCHER CLEANING AND REPLACEMENT

Cleaning

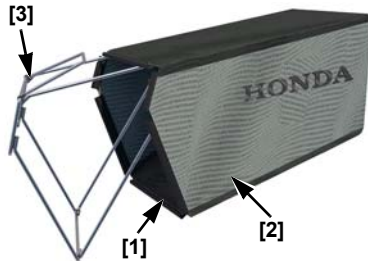
Wash the catcher with a garden hose, and allow it to dry completely before use; a wet catcher will clog quickly.

Replacement

Replace a worn or damaged catcher with a Honda replacement catcher or its equivalent.

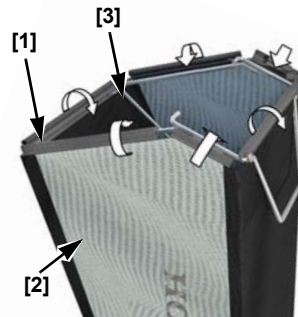
Removal

1. Unclip the plastic edges [1] of the catcher [2] from the frame [3].
2. Remove the catcher from the frame.



Installation

1. Insert the catcher frame [3] into the catcher [2], as shown above.
2. Clip the plastic edges [1] of the catcher onto the frame.

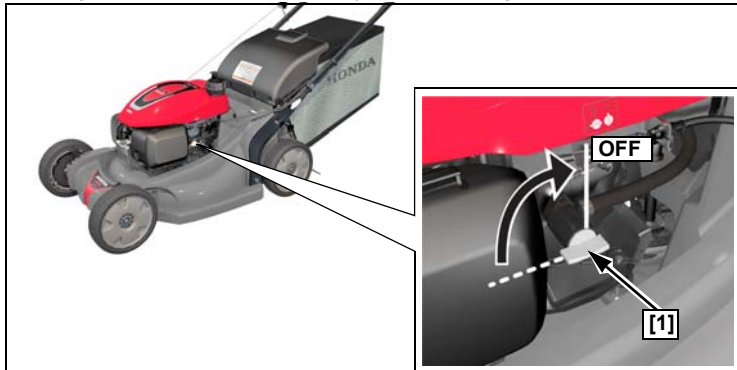


TRANSPORTING

Before Loading

If the engine has been running, allow it to cool for at least 15 minutes before loading the mower on the transport vehicle. A hot engine and exhaust system can burn you and can ignite some materials.

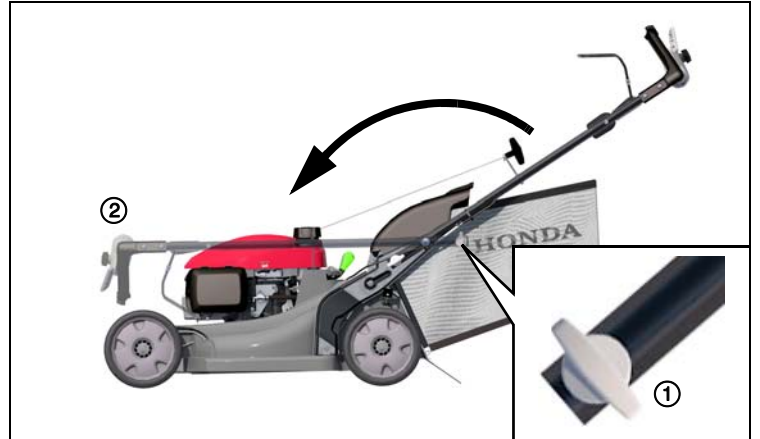
Turn the fuel valve to the OFF position. This will prevent carburetor flooding and reduce the possibility of fuel leakage.



Handlebar Folding

1. Remove the grass catcher. You can place it on top of the engine, with the catcher opening to the front.
2. Turn the handlebar adjust knobs [1] 90° into the unlock position.
3. Fold handlebar [2] over mower. Ensure the blade control lever clears the engine when folding the handlebar.

When folding the handlebar, be careful to avoid kinking or pinching the control cables.



Loading and Unloading

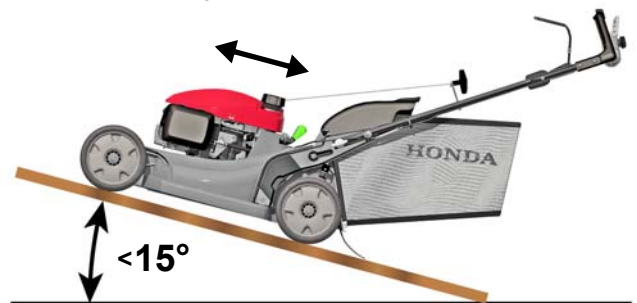
Position the mower so all four wheels are on the bed of the transport vehicle. Tie the mower down with rope or straps, and block the wheels. Keep the tie-down rope or straps away from the controls, adjustment levers, cables, and the carburetor.

NOTICE

To prevent losing control of or damaging the mower, do not use the drive system when going up or down a loading ramp.

To prevent damaging the drive system, do not engage the clutch when the mower is rolling backwards.

1. Turn the fuel valve to the OFF position.
2. Use a suitable loading ramp. Adjust the loading ramp so that it is inclined at an angle of less than 15°. If a loading ramp is not available, two people should lift the mower on and off the transport vehicle while keeping the mower level.



STORAGE

Proper storage is essential for keeping your lawnmower troublefree and looking good. The following steps will help protect the mower from rust and corrosion, and make the engine easier to start when you use the lawnmower again.

Cleaning

1. Wash the lawnmower, including the underside of the mower deck.

Engine

Wash the engine by hand, and be careful to prevent water from entering the air cleaner.

NOTICE

Using a garden hose or pressure washing equipment can force water into the air cleaner. Water in the air cleaner will soak the filters and can enter the carburetor or engine cylinder, causing damage.

Water contacting a hot engine can cause damage. If the engine has been running, allow it to cool for at least a half hour before washing.

Mower Deck

If using a garden hose or pressure washing equipment to clean the mower deck, be careful to avoid getting water into controls and cables, or anywhere near the engine air cleaner or muffler opening.

Before washing the underside of the mower deck, be sure the throttle lever is in the STOP position and the fuel valve is in the OFF position. Tilt the mower to the right so the fuel cap is up. This will help to prevent fuel leakage and hard starting due to carburetor flooding. Wear heavy gloves to protect your hands from the cutting means.

Grass Catcher

Remove the catcher from the mower, and wash it with a garden hose or pressure washing equipment. Allow the catcher to dry completely before storage.

2. After washing the lawnmower, wipe dry all accessible surfaces.
3. With the mower in an upright position, start the engine outdoors, and let it run until it reaches normal operating temperature to evaporate any water remaining on the engine.
4. Stop the engine and allow it to cool.
5. After the lawnmower is clean and dry, touch up any damaged paint, and coat other areas that may rust with a light film of oil.

Fuel

NOTICE

Depending on the region where you operate your equipment, fuel formulations may deteriorate and oxidize rapidly. Fuel deterioration and oxidation can occur in as little as 30 days and may cause damage to the carburetor and/or fuel system. Please check with your servicing dealer for local storage recommendations.

Petrol will oxidize and deteriorate in storage. Old petrol will cause hard starting, and it leaves gum deposits that clog the fuel system. If the petrol in your mower deteriorates during storage, you may need to have the carburetor and other fuel system components serviced or replaced.

The length of time that petrol can be left in your fuel tank and carburetor without causing functional problems will vary with such factors as blend, your storage temperatures, and whether the fuel tank is partially or completely filled. The air in a partially filled fuel tank promotes fuel deterioration. Very warm storage temperatures accelerate fuel deterioration. Fuel deterioration problems may occur within a few months, or even less if the petrol was not fresh when you filled the fuel tank.

Short Term Storage (30-90 days)

If your equipment will not be used for 30 to 90 days, we recommend the following to prevent fuel-related problems:

1. Add fuel stabilizer following the manufacturer's instructions.
When adding a fuel stabilizer, fill the fuel tank with fresh petrol. If only partially filled, air in the tank will promote fuel deterioration during storage. If you keep a container of petrol for refueling, be sure that it contains only fresh petrol.
If it will take more than 3 months to use the fuel in your storage container, we suggest adding a fuel stabilizer to the fuel when you fill the container.
2. After adding a fuel stabilizer, run the engine outdoors for 10 minutes to be sure that treated petrol has replaced the untreated petrol in the carburetor.
3. Turn the fuel valve to the OFF position.
4. Continue to run the engine until it stops from the lack of fuel in the carburetor fuel bowl. Running time should be less than 3 minutes.
Note:
 - All stabilizers have a shelf life and their performance will deteriorate over time.
 - Fuel stabilizers will not reconstitute stale fuel.

Long Term or Seasonal Storage (greater than 90 days)

Start the engine and allow it to run long enough to empty all the petrol from the entire fuel system (including the fuel tank). Do not allow petrol to remain in your engine for more than 90 days of inactivity.

Fuel system damage or engine performance problems resulting from neglected storage preparation are not covered under the *Distributor's Warranty*.

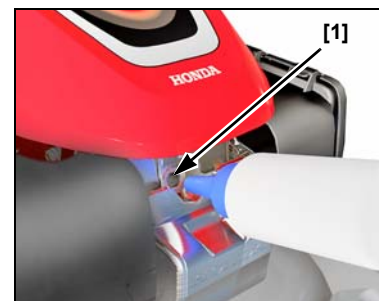
Engine Oil

Change the engine oil (page 13).

Engine Cylinder

If the mower is to be stored for more than 3 months, remove the spark plug (page 14). Pour 5 ~ 10 cm³ of clean engine oil into the cylinder [1]. Pull the starter rope several times to distribute the oil in the cylinder. Reinstall the spark plug.

Pull the starter rope slowly until resistance is felt, then return the starter grip gently. This will close the valves so moisture cannot enter the engine cylinder.



Placing in Storage

Since your mower will be stored with petrol in the fuel tank and carburetor, it is important to reduce the hazard of petrol vapor ignition. Select a well-ventilated storage area away from any appliance that operates with a flame, such as a furnace, water heater, or clothes dryer. Also avoid any area with a spark-producing electric motor, or where power tools are operated.

If possible, avoid storage areas with high humidity, because that promotes rust and corrosion.

Place the mower with its wheels on a level surface. Tilting can cause fuel or oil leakage.

The handlebar can be folded for compact storage (page 16).

With the engine and exhaust system cool, cover the mower to keep out dust. A hot engine and exhaust system can ignite or melt some materials. Do not use sheet plastic as a dust cover. A nonporous cover will trap moisture around the mower, promoting rust and corrosion.

Removing from Storage

Check your mower as described in *PRE-OPERATION CHECKS*.

If the cylinder was coated with oil during storage preparation, the engine will smoke briefly at startup. This is normal.

TROUBLESHOOTING

ENGINE WILL NOT START

Possible Cause	Correction
Fuel valve OFF	Turn the fuel valve ON (page 5).
Throttle lever in the wrong position	Move the throttle lever to the FAST position (page 5).
Out of fuel	Refuel (page 4).
Bad fuel; mower stored without treating the petrol, or refueled with bad petrol	Refuel with fresh petrol (page 4).
Spark plug faulty, fouled, or improperly gapped	Gap or replace the spark plug (page 14).
Spark plug wet with fuel (flooded engine)	Dry and reinstall the spark plug.
Fuel filter clogged, carburetor malfunction, ignition malfunction, valves stuck, etc.	Take the mower to an authorized Honda servicing dealer or refer to the shop manual for repair.

LOSS OF POWER

Possible Cause	Correction
Throttle not set to FAST	Move the throttle lever to the FAST position (page 5).
Grass is too tall to cut	Raise the cutting height (page 8), cut a narrower swath, use a slower ground speed, or cut more frequently.
Mower deck is clogged	Clean out the mower deck (page 12).
Air cleaner is clogged	Clean or replace the air cleaner (page 14).
Bad fuel; mower stored without treating petrol, or refueled with bad petrol	Refuel with fresh petrol (page 4).
Fuel filter clogged, carburetor malfunction, ignition malfunction, valves stuck, etc.	Take the mower to an authorized Honda servicing dealer or refer to the shop manual for repair.

VIBRATION

Possible Cause	Correction
Grass and debris lodged under the mower deck	Clean out the mower deck (page 12).
Cutting means loose, bent, damaged, or unbalanced by improper sharpening	Tighten loose cutting means bolts (page 15). If cutting means are found to be bent or damaged, take the lawnmower to an authorized Honda servicing dealer for inspection.
Mechanical damage, such as a bent crankshaft	Take the mower to an authorized Honda servicing dealer or refer to the shop manual for repair.

MOWING AND GRASS CATCHING PROBLEMS

Possible Cause	Correction
Engine speed is too slow to cut well	Move the throttle lever to the FAST position (page 5).
Mower is moving too fast for lawn conditions	Adjust Select Drive to a slower speed (page 5), push the Select Drive control less, or push slower.
Cutting height adjustment levers set at different positions	Set all levers at the same cutting height position (page 5).
Grass catcher overfilled or clogged	Empty the grass catcher. Wash the grass catcher if it is clogged with dirt (page 16).
Mower deck is clogged	Clean out the mower deck (page 12).
Cutting means dull, worn, or damaged	Sharpen or replace the cutting means if necessary (page 15).
Wrong cutting means installed	Install correct cutting means (page 15).

PARTS

Item	Part Number
Air Cleaner	17211-Z8B-901
Spark Plug	98079-55846
Cutting Means	72531-VH7-000 (upper) 72511-VH7-000 (lower)
Cutting Means Bolt (2)	90105-960-710
Bolt Washer (2)	90502-VG3-000

SPECIFICATIONS

MODEL	HRX537C5
TYPE	VYE
DESCRIPTION CODE	MAMA

GENERAL

Length	1,610 mm
Height	1,073 mm
Mass (ISO5395)	43,5 kg
Width	588 mm
Cut width	530 mm
Cut height adjustments	19 mm, 32 mm, 46 mm, 62 mm, 75 mm, 88 mm, 101 mm
Grass catcher capacity	85 L
Sound pressure level at operator's ears (According to EN ISO 5395-1:2013)	85 dB(A)
Uncertainty	1 dB(A)
Sound power level measured (According to 2000/14/EC directive)	96 dB(A)
Uncertainty	1 dB(A)
Sound power level guaranteed (According to 2000/14/EC directive)	98 dB(A)
Vibration transmitted (According to EN ISO 5395-1:2013)	5.4 m/s ²
Uncertainty	2.1 m/s ²

ENGINE

Model	GCV200
Type	4-stroke, single cylinder, vertical shaft
Displacement	201 cc
Bore and stroke	66 x 59 mm
Cooling	Forced air
Lubrication	Splash and spray
Compression ratio	8,0:1
Maximum speed	2,850 ⁺⁰ ₋₁₀₀ min ⁻¹
Idle speed	1,700 ± 150 min ⁻¹
Ignition system	Transistorized magneto
Spark plug	NGK: BPR5ES
Spark plug gap	0.7 ~ 0.8 mm
Air cleaner	Dry element type
Recommended fuel	Unleaded petrol with a research octane number (RON) of 91 or higher
Fuel tank capacity	0.91 L
Recommended oil	SAE 10W-30, API SJ or later
Engine oil capacity	0.40 L * Refill amount: 0.35 ~ 0.40 L

* Actual amount will vary due to residual oil in the engine. Always use the dipstick to confirm the actual level (see page 4).

DRIVE

Type	Variable speed Select Drive
Engine to transmission	V-belt
Main clutch	Slipping friction
Mower speed	0 ~ 1.64 m/s
Recommended fluid	10W-30

INTRODUCTION

Madame, Monsieur,

Vous venez de faire l'acquisition d'une tondeuse à gazon Honda et nous vous remercions de votre confiance.

Ce manuel traite de l'utilisation et de l'entretien des tondeuses Honda HRX537VYE.

Ce manuel, conçu pour vous aider, contient toutes les informations pour vous permettre d'utiliser votre tondeuse dans les meilleures conditions et en toute sécurité. Dans ce but, lisez-le attentivement.

Ce manuel est une partie intégrante de la tondeuse et, en cas de revente, doit l'accompagner.

En cas de problème ou encore pour toute question relative à la tondeuse, adressez-vous à votre concessionnaire Honda ou revendeur.

Honda Power Equipment Mfg., Inc. se réserve le droit d'apporter des modifications à tout moment, sans préavis et sans aucune obligation de sa part.

Cette publication ne peut être reproduite en totalité ou en partie sans autorisation écrite.

MESSAGES DE SECURITE

Il convient de prêter une grande attention aux rubriques précédées des mots suivants :

DANGER

DANGER ABSOLU de MORT ou de BLESSURE GRAVE si les instructions ne sont pas respectées.

AVERTISSEMENT

Vous POUVEZ être TUÉ ou GRAVEMENT BLESSE si vous ne suivez pas les instructions.

ATTENTION

Vous POUVEZ être BLESSE si vous ne suivez pas les instructions.

Chaque message vous indique de quel danger il s'agit, ce qui peut arriver et ce que vous pouvez faire pour éviter toute blessure ou en diminuer le risque.

MESSAGES DE PREVENTION DES DOMMAGES

Vous apercevrez aussi d'autres messages importants précédés du mot suivant :

AVIS

Votre tondeuse ou autres biens peuvent être endommagés si vous ne suivez pas les instructions.

Le but de ces messages est de vous aider à préserver votre tondeuse, vos biens ou ceux d'autrui, ainsi qu'une partie de l'environnement, de tout dommage possible.

HONDA

MANUEL DE L'UTILISATEUR

(Notice originale)

HRX537VYE

TONDEUSE À GAZON



FRANÇAIS

TABLE DES MATIERES

INTRODUCTION	1	ENTRETIEN	12
MESSAGES DE SECURITE	1	Importance De L'entretien	12
CONSIGNES DE SECURITE	2	Calendrier D'entretien	13
Emplacement de L'Etiquette de Securite	3	Entretien Du Moteur	13
Plaque D'Identification Du Produit	3	Réglages des câbles de commande	15
IDENTIFICATION DES COMPOSANTS	3	Montage Et Demontage De La Organe De Coupe	15
INSTALLATION	4	Nettoyage Du Sac De Ramassage Et Remplacement	16
COMMANDES	5	TRANSPORT	16
VERIFICATIONS AVANT UTILISATION	6	RANGEMENT	16
Niveau d'huile moteur	7	DEPISTAGE DES PANNES	18
Carburant	7	SPÉCIFICATIONS	19
FONCTIONNEMENT	10	Conditions D'application De La Garantie Honda, "CE-Déclaration de conformité"	
Précautions A Prendre Pour La Tonte	10	DESCRIPTION DE TABLE DES MATIERES, Informations de Localisation des Distributeurs	dernière page
Demarrage Du Moteur	10		
Arrêt Du Moteur	10		
Tondre En Toute Securite	10		
Conseils Pour La Tonte	11		

© 2018 American Honda Motor Co., Inc.—Tous droits réservés

C4

CONSIGNES DE SECURITE

AVERTISSEMENT

Pour une utilisation en toute sécurité –



- Les tondeuses Honda sont fiables et sans danger si vous suivez correctement les conseils d'utilisation. Lisez attentivement le manuel du propriétaire avant d'employer la machine. Le non-respect des instructions peut aboutir à de graves blessures ou endommager la tondeuse.

- Lisez attentivement les instructions, familiarisez-vous avec les différents leviers et le maniement correct de la tondeuse.
- Ne permettez en aucun cas, l'utilisation de la tondeuse aux enfants ou aux personnes n'ayant pas lu les instructions du manuel. La réglementation locale restreint peut-être l'emploi des tondeuses avant l'âge de la majorité.
- Ne tondez jamais à proximité d'enfants ou d'animaux.
- N'oubliez pas que l'utilisateur est responsable des dommages ou risques encourus par une tierce personne ou ses biens.
- Durant la tonte, portez toujours de solides chaussures fermées et des pantalons longs. N'utilisez pas la tondeuse si vous êtes pieds-nus ou si vous portez des sandales.
- Inspectez soigneusement la zone à tondre et enlevez tout objet pouvant être projeté par la tondeuse.
- L'essence est un produit très inflammable :
 - Gardez l'essence dans des bidons réservés à cet effet.
 - Faites le plein d'essence à l'extérieur seulement et ne fumez pas durant cette opération.
 - Ajoutez de l'essence avant de démarrer le moteur. Ne retirez jamais le bouchon du réservoir d'essence lorsque le moteur est en marche ou lorsqu'il est encore chaud.
 - Si de l'essence s'est répandue sur le sol, éloignez la tondeuse de cet endroit avant de la démarrer et évitez de créer des étincelles jusqu'à ce que les vapeurs d'essence se dissipent tout à fait.
 - Refermez bien les bouchons d'essence.
- Remplacez des silencieux défectueux.
- Avant toute utilisation, inspectez la tondeuse pour vous assurer que la ou les organe de coupe, vis de organe de coupe et carter de l'appareil ne sont ni endommagés ni usés. Remplacez l'ensemble des organe de coupe usées ou abîmées ainsi que les vis, afin de garantir une efficacité maximale.
- Ne faites pas fonctionner le moteur dans un local confiné ou peu aéré où les émanations de monoxyde de carbone peuvent s'accumuler.
- Tondez seulement durant la journée ou sous une bonne lumière artificielle.
- Évitez, autant que possible, d'utiliser l'appareil quand l'herbe est mouillée.
- Lors de la tonte sur pente :
 - Ayez le pied ferme et sûr.
 - Tondez la pente transversalement, jamais de bas en haut.
 - Marchez, ne courez jamais.
 - Faites attention lors des changements de direction sur les pentes.
 - Évitez de tondre les pentes trop raides.
- Soyez très prudent lorsque vous inversez la direction ou que vous tirez l'appareil vers vous.
- Arrêtez les organe de coupe, si la tondeuse doit être basculée lors d'un transport, en dehors des zones de tonte ou lors du transport de la tondeuse en direction ou à partir de l'endroit à tondre.
- N'utilisez pas la tondeuse si ses carters de protection sont défectueux, ou si ses dispositifs de sécurité sont manquants (protecteur d'éjection et/ou bac de ramassage en place, par exemple).
- N'essayez pas de faire des réglages de hauteur de roues lorsque l'appareil est en marche.
- Ne modifiez jamais le réglage du régulateur de vitesse du moteur et ne mettez jamais le moteur en surrégime.
- Débrayez tous les leviers de commande de organe de coupe ou d'avance avant de démarrer l'appareil.

- Avec précaution, démarrez la machine en suivant les indications données et en prenant garde d'éloigner vos pieds des organe de coupe.
- Ne penchez pas la tondeuse lors du démarrage.
- N'approchez ni les pieds ni les mains de toute pièce en rotation. Éloignez-vous de l'ouverture de goulotte d'éjection à tout moment.
- Ne portez ou ne transportez jamais une tondeuse en marche.
- Arrêtez le moteur et débranchez les fils de bougies :
 - Avant de dégager la tondeuse de tout objet ou matière qui l'obstrue.
 - Avant de vérifier, nettoyer ou travailler sur la tondeuse.
 - Après avoir heurté un corps étranger. Inspectez la tondeuse et repérez les dégâts éventuels, effectuez les réparations avant de redémarrer et manœuvrer l'appareil.
 - Si la tondeuse commence à vibrer anormalement, vérifiez-la immédiatement.
- Arrêtez le moteur :
 - Dès que vous vous éloignez de la tondeuse.
 - Avant de refaire le plein d'essence.
 - Avant de retirer le bac de ramassage ou l'adaptateur de décharge latérale.
- Réduisez la position du levier des gaz durant l'arrêt du moteur et fermez la valve d'arrivée d'essence lorsque vous avez terminé de tondre.
- Assurez-vous que tous les boulons, écrous et vis sont bien serrés afin que la machine puisse fonctionner en toute sécurité.
- Ne rangez jamais la tondeuse contenant de l'essence dans un local où les émanations pourraient atteindre une flamme ou étincelle.
- Laissez refroidir le moteur avant de ranger l'appareil dans un local.
- Pour réduire tout risque d'incendie, débarrassez le moteur, le silencieux, le compartiment de batterie (le cas échéant) et le réservoir d'essence, de toutes particules d'herbe, feuilles ou excès de graisse.
- Examinez souvent le bac de ramassage pour en détecter la détérioration et l'usure.
- Pour raisons de sécurité, remplacez toutes les pièces usagées ou détériorées.
- Si vous désirez vider le réservoir d'essence, faites-le dehors.
- Portez des lunettes de protection.
- Ne jamais utiliser la machine en cas de fatigue ou de maladie de l'utilisateur, ou en cas de consommation de médicaments, de drogues, d'alcool ou de substances dangereuses qui pourraient perturber ses capacités de réflexes et de concentration.
- Lors de l'utilisation de la machine, toujours porter des chaussures de sécurité résistantes, antidérapantes et des pantalons longs. Ne pas utiliser la machine pieds nus ou avec des chaussures ouvertes. Éviter de porter des chaînes, des bracelets ou des vêtements larges avec des parties flottantes, ou dotés de lacets ou cravates. Les cheveux longs doivent être attachés. Toujours porter un casque anti-bruit.
- Se rappeler que l'opérateur ou l'utilisateur est responsable des accidents et des imprévus qui peuvent arriver à d'autres personnes ou à leurs biens. L'utilisateur est responsable de l'évaluation des risques potentiels du terrain à travailler et de la mise en place de toutes les précautions nécessaires pour assurer sa sécurité et celle d'autrui, en particulier sur les terrains en pente, les sols accidentés, glissants ou instables, à proximité de trous, de fossés ou dévers.
- ATTENTION – Le niveau de bruit et de vibration indiqués par cette notice sont les valeurs maximum d'utilisation de la machine. L'utilisation d'un organe de coupe non équilibré, d'une vitesse de mouvement excessive et l'absence d'entretien ont une influence significative sur les émissions sonores et les vibrations. Il faut donc adopter des mesures préventives afin d'éliminer tout dommage possible dû à un bruit élevé et aux contraintes issues des vibrations; veiller à l'entretien de la machine, porter un casque anti-bruit. Faire des pauses pendant le travail.

Mise au rebut

Pour la protection de l'environnement, ne pas jeter ce produit, la batterie, l'huile moteur, etc., aux ordures. Observer la réglementation locale ou consulter son concessionnaire Honda agréé pour s'en débarrasser.

EMPLACEMENT DE L'ETIQUETTE DE SECURITE

Cette étiquette est destinée à vous mettre en garde contre les dangers potentiels qui peuvent être à l'origine de blessures graves. Lisez attentivement cette étiquette. Si elle venait à se décoller ou devenait illisible, contactez votre concessionnaire qui vous fera parvenir une étiquette de remplacement.

Lettre	Symboles
A	
	<p>1. Lire le manuel d'utilisateur avant utilisation de la tondeuse. 2. Risque de projection. Tenir les tierces personnes en dehors de la zone pendant l'utilisation. 3. Risque de coupure. organe de coupe tournante. Ne pas introduire les mains et pieds dans l'enceinte de organe de coupe. Débrancher le capuchon de bougie avant toute opération d'entretien ou de réparation. 4. Ne pas utiliser la tondeuse sans le enceinte de l'organe de coupe ou le sac de ramassage.</p>

Lettre	Symboles
B	
	<p>5. Lire le manuel d'utilisateur avant utilisation de la tondeuse. 6. Le moteur dégage du monoxyde de carbone qui est un gaz toxique. Ne jamais le faire fonctionner dans un endroit clos. 7. L'essence est très inflammable et explosive. Avant de faire le plein de carburant, arrêter le moteur et le laisser se refroidir.</p>

PLAQUE D'IDENTIFICATION DU PRODUIT

Lettre	Symboles
C	
	<p>1. Niveau de puissance acoustique garanti selon la directive 2000/14/EC 2. Marque de conformité selon la EC-directive 3. Marque de conformité optional 4. Puissance nominale en kilowatts 5. Vitesse maximale du moteur 6. Mois et année de fabrication 7. Poids en kilogrammes 8. Numéro de série 9. Modèle 10. Nom et adresse du représentant autorisé 11. Nom et adresse du fabricant</p>
<p>Nom et adresse du constructeur et autorisé représentative sont écrits dans le "CE déclaraton de conformité" Aperçu du contenu dans le manuel du propriétaire.</p>	

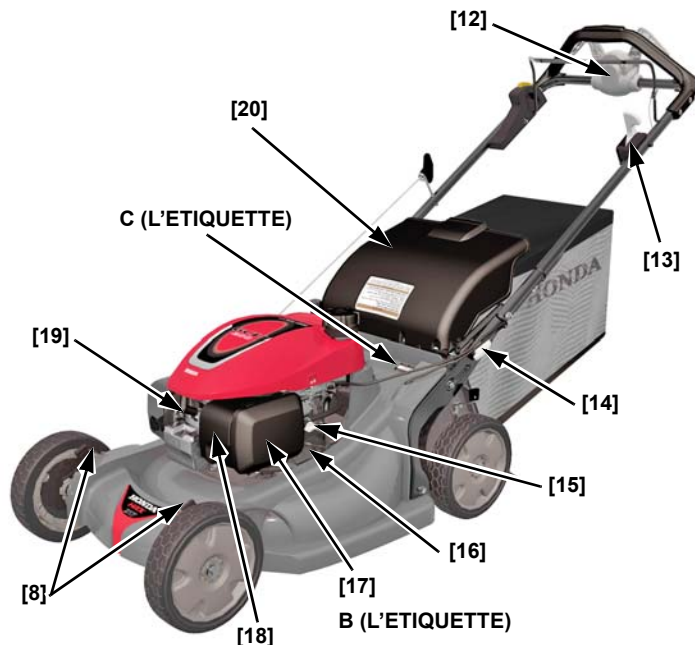
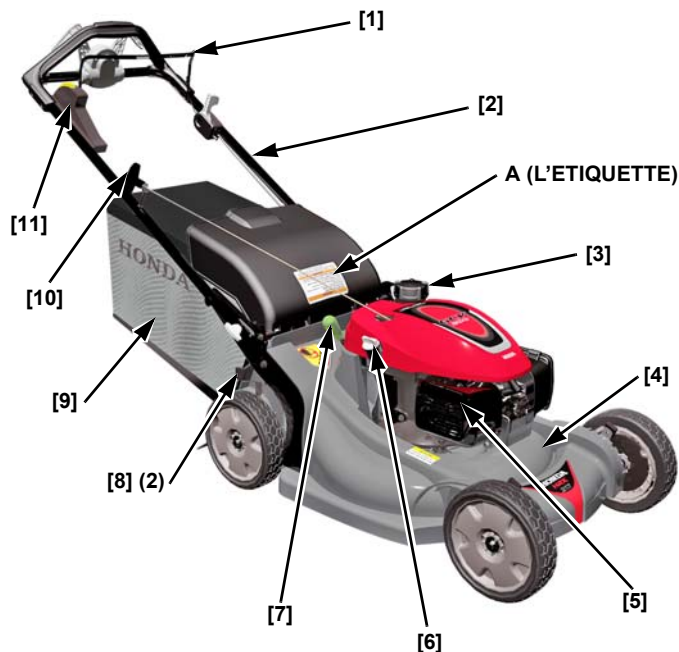
Notez les numéros de série du châssis et du moteur dans l'emplacement ci-dessous. Vous en aurez besoin pour commander des pièces détachées et pour toute question d'ordre technique ou relative à la garantie.

Numéro de série du châssis : _____

Numéro de série du moteur : _____

Date d'achat : ____ / ____ / ____

IDENTIFICATION DES COMPOSANTS



1	Commande de l'organe de coupe (pour le démarrage et l'arrêt de l'organe de coupe)
2	Guidon
3	Bouchon de réservoir d'essence
4	Garde d'évacuation arrière
5	Silencieux ou pot d'échappement
6	Bouchon de l'orifice de remplissage de l'huile
7	Bouton de commande de la tonte
8	Leviers de réglage de hauteur de coupe (4)
9	Sac de ramassage
10	Poignée de démarreur

11	Roto-Stop bouton
12	Contrôle Select Drive
13	Manette des gaz
14	Bouton de blocage du guidon (2)
15	Soupape de combustible
16	Numéro de série du moteur
17	Filtre à air
18	Carburateur
19	Capuchon de bougie
20	Enceinte de l'organe de coupe

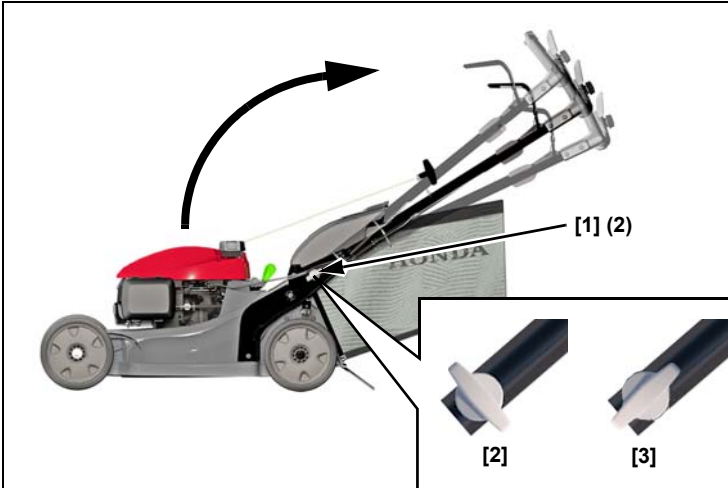
INSTALLATION

DÉBALLAGE

Enlevez le carton autour du guidon.

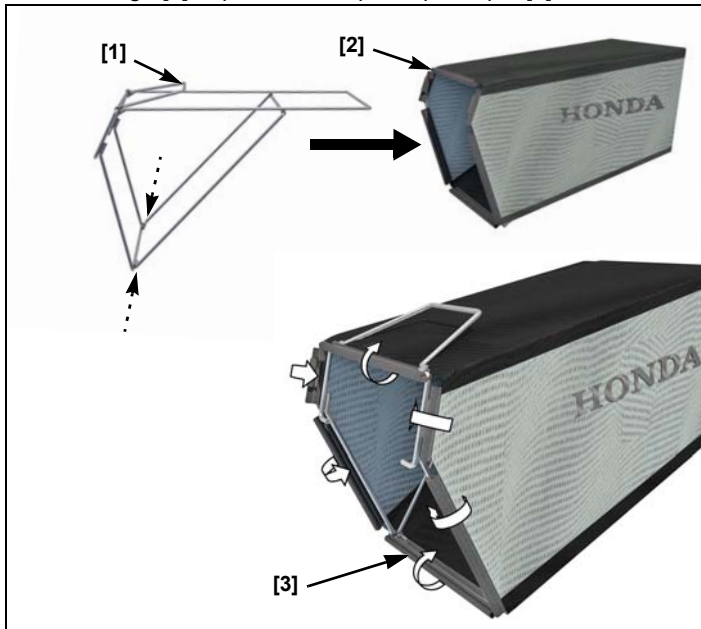
INSTALLATION DU GUIDON

1. Tournez les boutons de réglage du guidon [1] sur 90 degrés en position de déverrouillage [2].
2. Déplacez le guidon en position de tonte de manière à ce que les goupilles de positionnement s'alignent avec les orifices supérieurs, intermédiaires ou inférieurs situés sur les supports de montage du guidon.
3. Tournez les boutons de réglage sur 90 degrés en position de verrouillage [3] et les goupilles s'enclenchent dans les orifices et se bloquent.

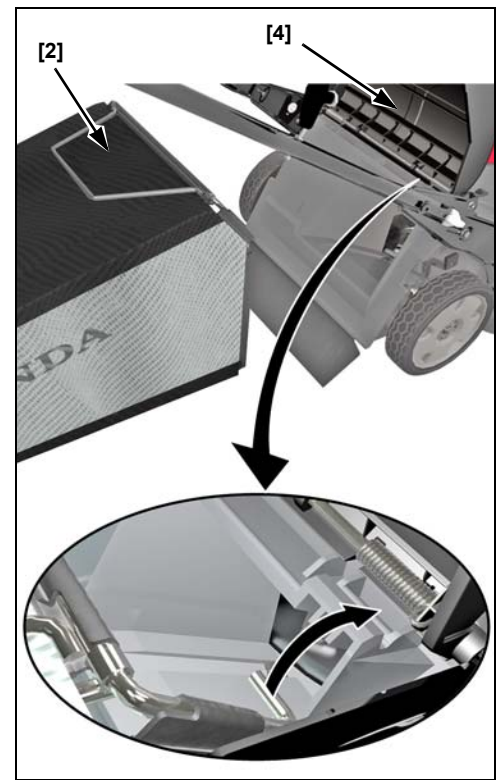


INSTALLATION DU SAC DE RAMASSAGE

1. Faites glisser le cadre du sac de ramassage [1] dans le sac de ramassage [2] et placez les clips en plastique [3], voir illustration.



2. Enlevez la protection de la décharge [4] et installez le sac de ramassage.



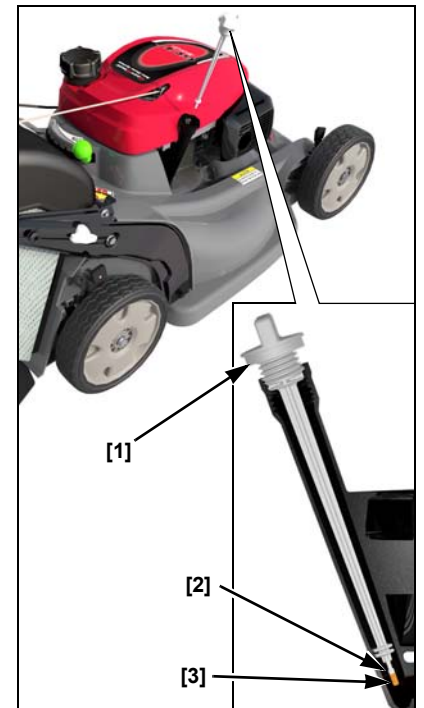
HUILE MOTEUR

La tondeuse est expédiée **SANS HUILE** dans le moteur.

Ajoutez suffisamment d'huile SAE 10W-30 API de catégorie SJ pour amener le niveau d'huile entre les marques de limite supérieure [2] et de limite inférieure [3] sur la jauge (voir illustration).

Plein : 0,35 ~ 0,40 L

Ne dépassez pas les limites de remplissage d'huile. Si le moteur a trop d'huile, l'excédent pourrait se transférer au filtre à air et à ses pièces.



ESSENCE

Reportez-vous à la page 7.

AVANT D'UTILISER LA TONDEUSE À GAZON

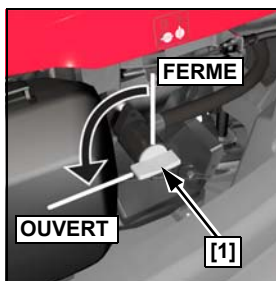
Avant d'utiliser la tondeuse à gazon, tous les utilisateurs de la tondeuse doivent prendre connaissance des chapitres suivants :

- **CONSIGNES DE SECURITE** (page 2)
- **COMMANDES** (page 5)
- **VERIFICATIONS AVANT UTILISATION** (page 6)
- **FONCTIONNEMENT** (page 10)
- **CALENDRIER D'ENTRETIEN** (page 13)

COMMANDES

SOUPAPE DE COMBUSTIBLE

La soupape de combustible [1] ouvre et ferme l'écoulement entre le réservoir du carburant et le carburateur.



MANETTE DES GAZ

Pour obtenir la meilleure coupe, effectuer toutes les tontes avec le levier des gaz en position RAPIDE. Lorsque l'organe de coupe tourne à la vitesse rapide réglée en usine, il crée un puissant effet de soufflerie qui redresse l'herbe et permet une meilleure coupe.

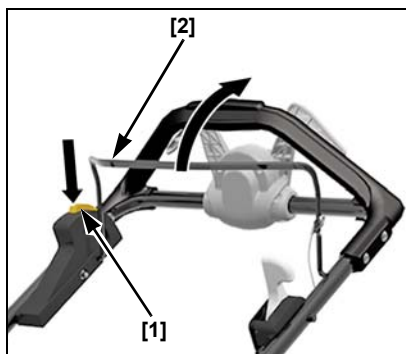


Ne pas augmenter le régime moteur RAPIDE tel qu'il a été réglé en usine; un régime plus élevé pourrait conduire à la rupture de l'organe de coupe.

SYSTÈME DE COMMANDE DE L'ORGANE DE COUPE

Pour démarrer la rotation de l'organe de coupe, s'assurer que le moteur tourne et que le levier des gaz est sur la position RAPIDE.

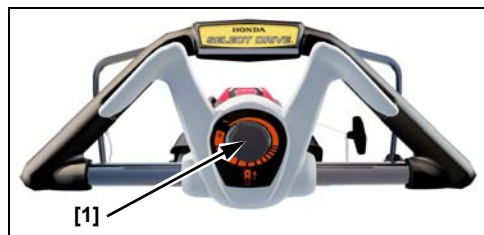
1. Appuyer et maintenir la pression sur le bouton Roto-Stop [1].
2. Serrer rapidement le levier de commande de l'organe de coupe [2] contre le guidon, ce qui permet au moteur de mettre l'organe de coupe en rotation à la vitesse maximale puis relâcher le bouton Roto-Stop.



Maintenir le levier de commande de l'organe de coupe serré contre le guidon de façon qu'il ne cesse pas de tourner. Pendant toute la durée de la tonte, le levier de commande de l'organe de coupe doit être maintenu serré. Ne pas relâcher le serrage car cela aurait pour effet de faire patiner l'embrayage et d'en réduire la durée de vie. Relâcher le levier de commande de l'organe de coupe lorsqu'il devient nécessaire d'arrêter sa rotation. Avant de démarrer le moteur, veiller à ce que le levier de commande de l'organe de coupe ne soit pas serré de façon que l'organe de coupe ne soit pas mis en rotation.

Commande Select-Drive

Le moteur étant en fonctionnement et l'organe de coupe en rotation, appuyer lentement sur la commande Select Drive [1] de manière que la tondeuse avance.



En exploitation normale, une main tient confortablement le guidon et la commande Select Drive. Au moyen du pouce, pousser la commande Select Drive d'un cran pour accélérer le fonctionnement (montée d'une pente, ou herbe dense).

Il est possible de réduire la vitesse par rapport au sol en relâchant partiellement la commande Select Drive.

La vitesse par rapport au sol varie avec la nature du terrain, la hauteur des herbes et le poids du sac de collecte des herbes coupées. Déplacer le bouton Select Drive ou changer la position vers l'avant de la commande Select Drive, permettent de maintenir la vitesse désirée par rapport au sol et de tenir compte des conditions variables de coupe.

Relâcher la commande Select Drive pour débrayer (arrêter) les roues arrière.

Débrayer la traction quand on tond autour d'arbres ou d'autres obstacles. Pousser alors sur la tondeuse pour contourner les obstacles plus aisément.

Réglage du bouton de commande Select Drive

Le bouton de commande Select Drive [1] permet de régler la vitesse maximum par rapport au sol quand le levier Select Drive est complètement serré.

Le réglage varie de MIN à MAX. Le levier Select Drive étant complètement serré.

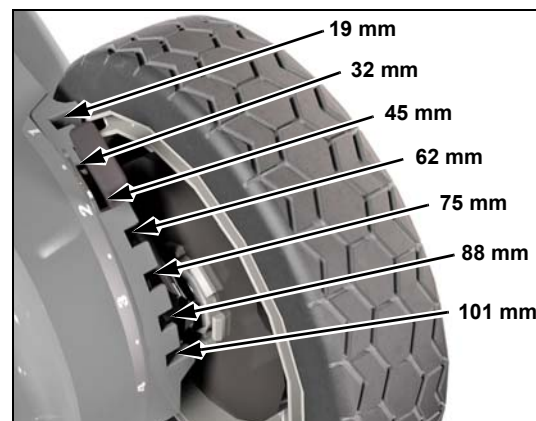
MIN correspond à la vitesse la plus basse d'avance de la tondeuse.

MAX correspond à la vitesse la plus rapide d'avance de la tondeuse.

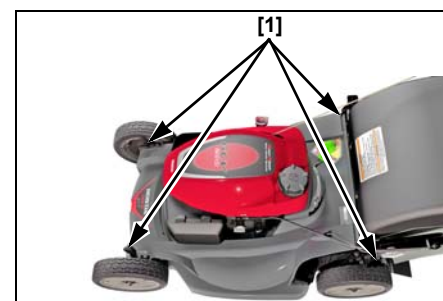


LEVIERS DE RÉGLAGE DE LA HAUTEUR DE COUPE

Les roues de la tondeuse peuvent être réglées à l'une des sept valeurs. Les hauteurs de coupe sont approximatives. La hauteur réelle du gazon à couper varie selon les conditions de la pelouse et du sol.



Il y a un levier de réglage [1] sur chaque roue.



BOUTON DE COMMANDE DE LA TONTE

Le bouton de commande de la tonte [1] contrôle la mise en sac, le broyage et la décharge arrière. Il dispose de dix positions de réglage. Il dispose de dix positions de réglage.



VERIFICATIONS AVANT UTILISATION

ÊTES-VOUS PRÊT À TONDRE?

Assurez-vous que vous portez des vêtements de protection. Le port de pantalons longs et de lunettes peut réduire le risque de blessure par un objet projeté. Portez des chaussures qui protégeront vos pieds et vous empêcheront de glisser si vous tondez sur des pentes ou sur des surfaces irrégulières.

INSPECTION DE LA PELOUSE

Pour votre sécurité et celle de ceux qui vous entourent, procédez à l'inspection de la pelouse avant de la tondre.

Objets

Tout objet pouvant être saisi par la (les) organe de coupe et projeté est un danger pour vous et les autres. Débarrassez la pelouse d'objets tels que : les os, les cailloux, les bâtons ou les fils métalliques.

Personnes et animaux

Les personnes et animaux se trouvant près de la zone à tondre, pourraient vous gêner ou être blessés par un objet projeté par les organe de coupe. Par sécurité, éloignez les animaux et personnes, les enfants en particulier, de la zone de tonte.

Pelouse

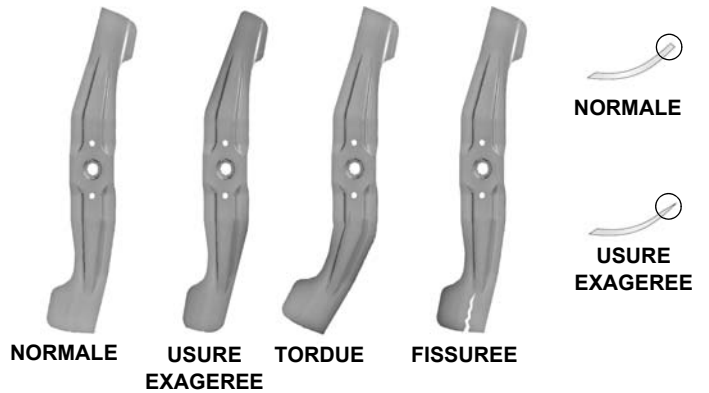
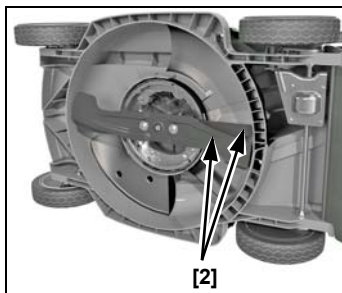
Vérifiez la hauteur et l'état de l'herbe pour déterminer quelle hauteur de coupe et quelle vitesse choisir.

Eviter de tondre une pelouse mouillée. Non seulement cela encrasse le carter de tonte et crée des paquets d'herbe sur la pelouse, mais le manque d'adhérence au sol augmente le risque de perte d'équilibre.

VERIFIEZ VOTRE TONDEUSE

Organe de coupe

1. Placez la manette des gaz sur la position ARRÊT (page 5).
2. Placez la soupape de combustible sur la position FERME (page 5).
3. Déconnecter le capuchon de bougie de la bougie d'allumage (page 3).
4. Inclinez la tondeuse vers la droite de sorte que le bouchon de carburant [1] est en hausse. Cela aidera à prévenir les fuites de carburant, l'huile de moteur infiltrer dans le filtre à air, et le démarrage difficile.
5. Examiner les organe de coupe [2] pour déceler d'éventuels dommages, des fissures ou des traces de rouille ou de corrosion excessive.



⚠ AVERTISSEMENT

Une organe de coupe usée, fendue ou abîmée peut se casser et ses morceaux peuvent devenir de dangereux projectiles.

Les objets projetés par la organe de coupe peuvent entraîner de graves blessures.

Vérifiez régulièrement l'état de la organe de coupe et n'utilisez pas la tondeuse si la organe de coupe est trop usée ou endommagée.

Une organe de coupe usée peut être aiguisée mais une organe de coupe usée à l'excès, tordue, fendue ou autre, doit être remplacée. En effet, une organe de coupe trop usée ou abîmée peut se casser et ses morceaux être violemment projetés.

Lorsqu'une organe de coupe a besoin d'être affûtée ou remplacée, vous pouvez porter la tondeuse chez un concessionnaire Honda ou bien vous pouvez l'aiguiser vous-même si vous possédez une clé dynamométrique.

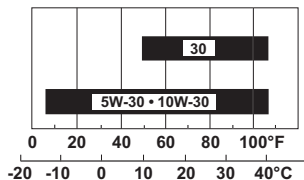
Vérifiez que les boulons sont bien serrés (page 15).

Niveau d'huile moteur

Vérifiez le niveau d'huile, avec le moteur arrêté et la tondeuse mise à niveau.

Utilisez une huile moteur 4 temps qui remplit les conditions du service de classification SJ ou équivalent de l'API. Veuillez vérifier chaque fois que les lettres SJ ou équivalents sont bien sur l'étiquette SERVICE API du bidon d'huile.

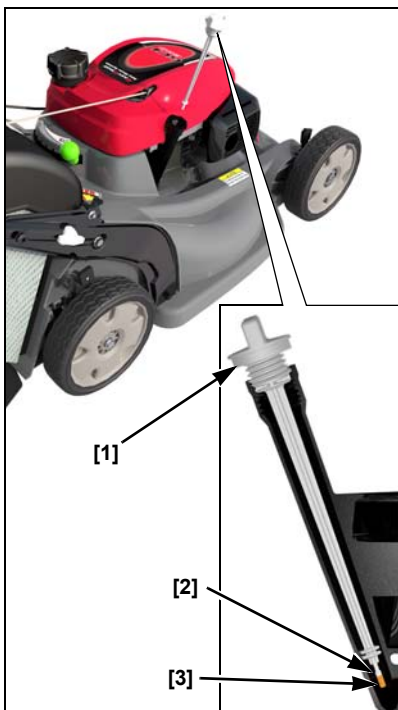
SAE 10W-30 est recommandé pour un usage général. D'autres grades de viscosité (voir tableau), sont recommandés selon la marge de la température moyenne de votre région.



AVIS

- Faire fonctionner la tondeuse sans le niveau d'huile requis peut détériorer le moteur.
- L'utilisation d'une huile non détergente peut abrégier la vie du moteur et une huile moteur 2 temps peut également l'endommager.

1. Retirez le bouchon de remplissage d'huile/jauge [1] et essuyez bien la jauge.
2. Introduisez la jauge dans le goulot de remplissage mais sans la revisser. Vérifiez le niveau d'huile sur la jauge.
3. Si le niveau d'huile est proche du repère de niveau inférieur [3], ajoutez alors la quantité d'huile nécessaire pour ramener le niveau jusqu'au repère supérieur [2]. Ne dépassez pas le repère supérieur.
4. Remettez le bouchon/jauge [1] et vissez-le à fond.



Carburant

Ce moteur est certifié pour fonctionner à l'essence sans plomb avec un indice d'octane recherché minimal de 91.

Nous recommandons de refaire le plein après chaque utilisation pour minimiser la présence d'air dans le réservoir de carburant.

Faites le plein d'essence dans un endroit bien aéré avant de démarrer le moteur. Si le moteur est déjà chaud, attendez qu'il refroidisse. Ne faites jamais le plein d'essence dans un local mal ventilé où les vapeurs pourraient s'accumuler et entrer en contact avec une flamme ou une étincelle.

Vous pouvez utiliser de l'essence sans plomb contenant 10% d'éthanol maximum (E10) ou 5% de méthanol par volume. En outre, le méthanol doit contenir des cosolvants ainsi que des inhibiteurs de corrosion. Si vous utilisez du carburant dont la teneur en éthanol ou méthanol est supérieure aux spécifications stipulées ci-dessus, le démarrage et/ou la performance risquent d'être affectés. En outre, les pièces métalliques, en caoutchouc et en plastique du circuit de carburant pourraient subir des dommages. En outre, l'éthanol est hygroscopique, ce qui signifie qu'il attire et retient l'eau dans le circuit d'alimentation de carburant. Les dommages au moteur ou problèmes de performance provenant d'un carburant aux pourcentages d'éthanol

ou de méthanol supérieurs à ceux stipulés ci-dessus ne sont pas couverts par la garantie.

Si votre matériel est destiné à être utilisé peu fréquemment ou par périodes, (plus de 4 semaines entre deux utilisations) merci de consulter le paragraphe sur le « Carburant » du chapitre STOCKAGE (page 17) pour en savoir plus sur le risque de dégradation du carburant.

⚠ AVERTISSEMENT

L'essence est une substance hautement inflammable et explosive.

En manipulant de l'essence, vous pouvez être brûlé ou sérieusement blessé.

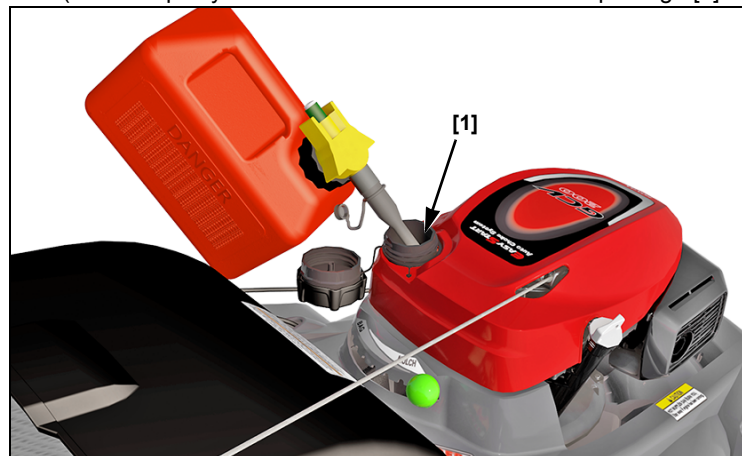
- Arrêtez le moteur et éloignez-le de la chaleur, des flammes et des étincelles.
- Manipulez l'essence à l'extérieur seulement.
- Essayez immédiatement tout débordement.

N'utilisez jamais une essence éventée ou contaminée ou encore un mélange essence/huile. Évitez de mettre de la terre ou de l'eau dans le réservoir.

AVIS

L'essence peut endommager des surfaces telles que la peinture et le plastique. Faites attention de ne pas en faire couler lors du remplissage du réservoir. Les dégâts causés par de l'essence répandue ne sont pas couverts par la garantie.

Retirez le bouchon d'essence et vérifiez le niveau d'essence. Si le niveau d'essence est bas, remplissez le réservoir en faisant bien attention de ne pas en faire couler à côté. Ne le remplissez pas à ras bord (il ne doit pas y avoir d'essence dans le col de remplissage [1]).



Après avoir fait le plein, refermez le bouchon en serrant à fond.

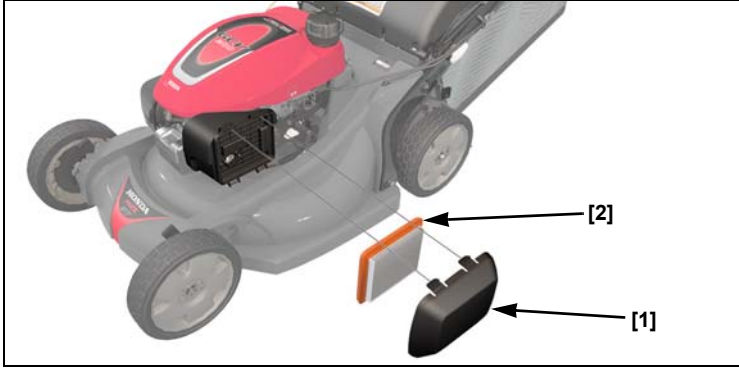
Eloignez la tondeuse d'au moins 3 m de toute source de carburant et site de remplissage avant de mettre le moteur en marche.

Conteneur de Stockage du Carburant

Stockez votre carburant dans un conteneur en plastique propre hermétiquement fermé spécialement conçu pour cela. Fermez l'évent (si un évent est présent) lorsque le conteneur n'est pas utilisé, et conservez le conteneur à l'abri de la lumière directe du soleil. S'il vous faut plus de 3 mois pour consommer tout le carburant stocké dans le conteneur, nous suggérons d'ajouter du stabilisateur de carburant au carburant lorsque vous remplissez le conteneur.

Inspection du filtre à air

Retirez le couvercle [1]. Assurez-vous que le filtre [2] soit propre et en bon état. Un filtre à air sale limite l'arrivée d'air au carburateur, réduisant ainsi la performance du moteur. Voir page 13 et page 14 pour l'entretien du filtre à air.



Réglage de la hauteur du guidon

Régler la hauteur du guidon dans une position d'utilisation confortable (page 4).

Sac de ramassage

La tondeuse fonctionne comme un aspirateur ; elle projette de l'air dans le sac qui attrape ainsi les brins d'herbe. Veillez à toujours vider le sac avant qu'il ne soit plein. Les performances du ramassage diminuent à partir de 90% de remplissage du sac. De plus, le sac est plus facile à vider lorsqu'il n'est pas plein à ras bords.

Inspection

En utilisation normale, le matériau du sac de ramassage est soumis à la détérioration et à l'usure.

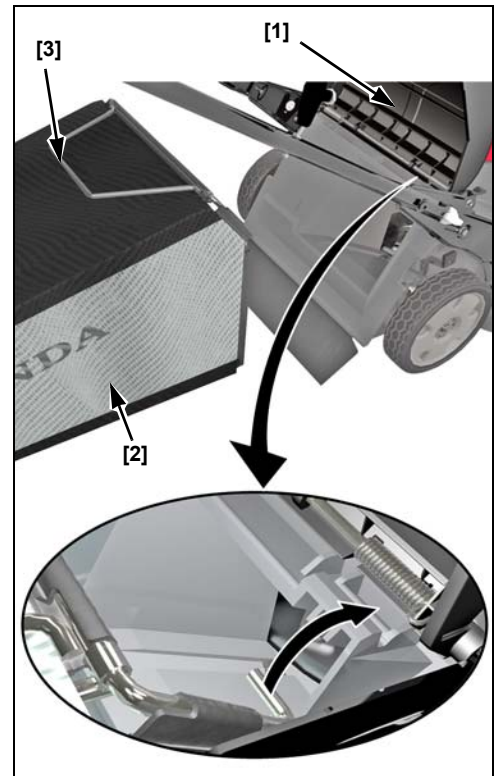
AVIS

Fréquemment vérifier qu'il ne comporte pas de trous, de déchirures et qu'il n'a pas été soumis à une usure excessive. Un sac de ramassage s'use avec le temps, même avec un fonctionnement normal de la machine, et il faudra le remplacer tôt ou tard.

Si le sac de ramassage est à remplacer, vous pouvez le faire vous-même (voir page 16).

Installation

1. Soulevez la enceinte de l'organe de coupe [1], utilisez la poignée du sac de ramassage [3] et accrochez le sac de ramassage [2] sur le carter de tonte comme indiqué.
2. Relâchez la décharge latérale et bloquez le sac de ramassage.

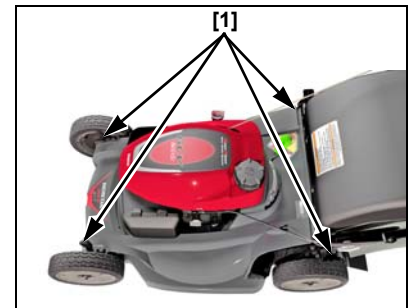


Retrait

1. Soulevez la décharge latérale, attrapez la poignée du sac de ramassage et retirez le sac.
2. Relâchez la décharge latérale.
3. Lorsque le sac de ramassage est dégagé de la décharge latérale, vous pouvez le saisir à travers l'ouverture du guidon ou vous pouvez le retirer à l'arrière de la tondeuse sous le guidon.

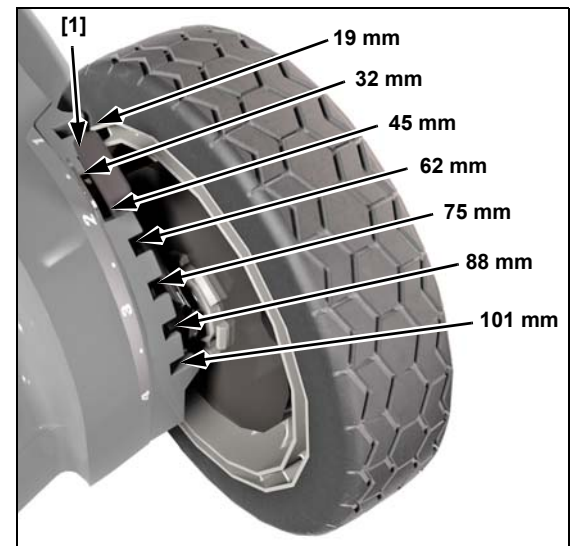
Hauteur de coupe

Vérifiez la hauteur de coupe du carter de tonte et assurez-vous que les 4 leviers [1] sont dans la même position de hauteur de coupe.



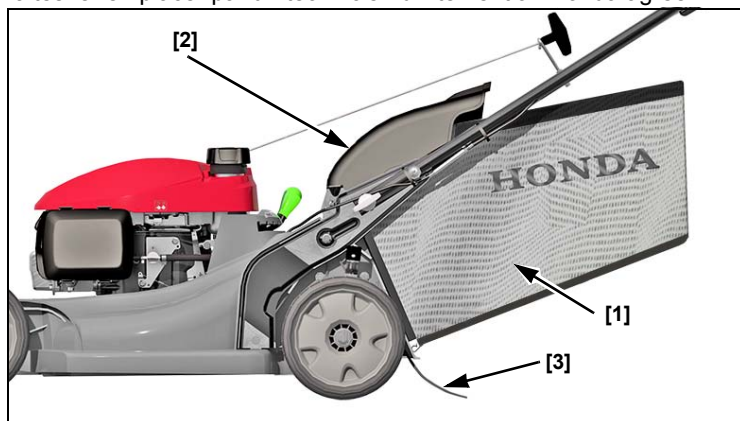
Afin de régler la hauteur de tonte, tirez chaque levier de réglage [1] vers la roue et bloquez-le sur le cran désiré.

Si vous n'êtes pas sûr de la hauteur de tonte à adopter, commencez par la plus haute et examinez les résultats obtenus sur une petite surface. Puis réglez la hauteur si nécessaire.



Défecteur arrière

Lors d'une utilisation normale, le déflecteur arrière [3] subit l'usure et des détériorations. Retirez le sac de ramassage [1] et soulevez le capot de vidage [2] pour vérifier la présence éventuelle de fissures ou de déchirures sur le déflecteur arrière. Si celui-ci est usé à l'extrême, faites-le remplacer par un technicien d'intervention Honda agréé.

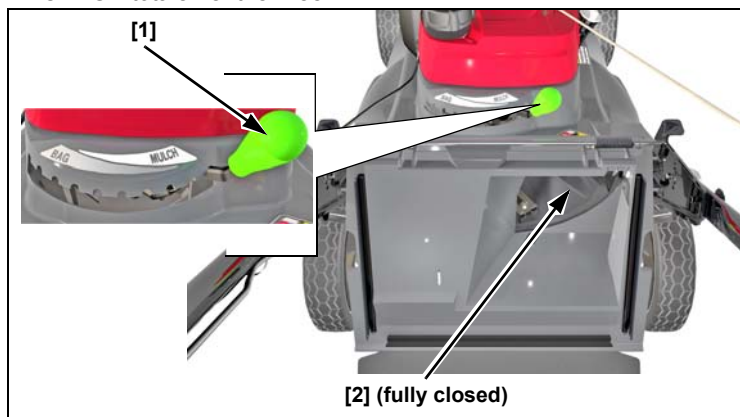


Direction de la tonte

Réglage du bouton de commande de la tonte

Réglez le bouton de commande de la tonte [1] dans l'une des dix positions pour obtenir les résultats de tonte souhaités.

Pour régler le bouton de commande de la tonte, tirez le bouton vers le bas et vers l'arrière de la tondeuse. Le bouton règle la porte coulissante [2] de la position SAC totalement ouverte à la position BROYAGE totalement fermée.



La résistance élevée que vous pouvez rencontrer lors du déplacement du bouton de commande de tonte d'un côté à l'autre peut être le résultat d'une accumulation de gazon en haut de la porte coulissante.

Il est normal de constater une certaine accumulation d'herbe dans l'ouverture d'éjection lorsque le commande de la tonte est entièrement fermé. Pour enlever cette herbe, fermer le clapet d'éjection, ouvrir entièrement le commande de la tonte, démarrer le moteur et actionner à plusieurs reprises le levier de commande de la organe de coupe.

Importantes Consignes De Sécurité

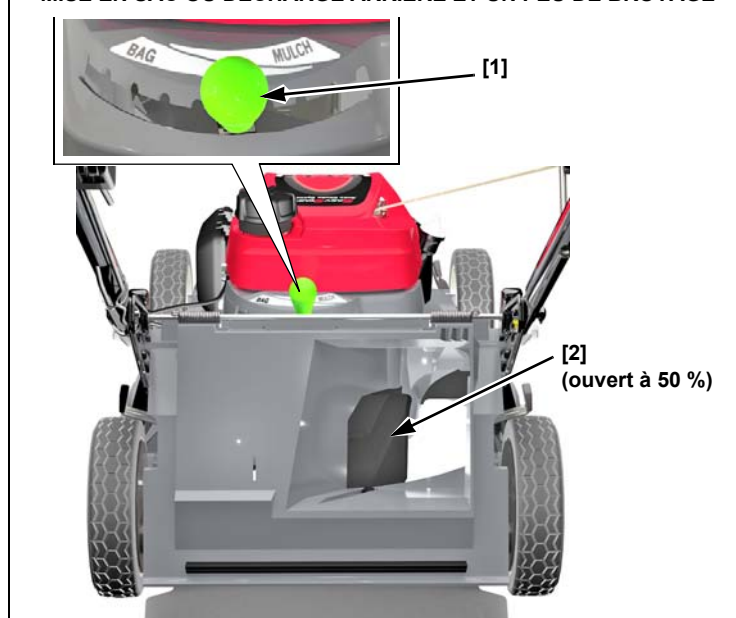
Coupez toujours le moteur et déconnectez le capuchon de la bougie avant de soulever la protection de décharger pour voir ou nettoyer autour de la porte coulissante. Vous éviterez ainsi le contact avec les organe de coupe en mouvement et empêcherez que des objets ne soient jetés dans la zone de décharge.

Position de la porte coulissante

Vous pouvez repositionner la porte coulissante [2] pour obtenir différents résultats de tonte. Si la position souhaitée de la porte coulissante n'est pas connue, installez un sac de ramassage et commencez à tondre avec le bouton de commande de la tonte [1]

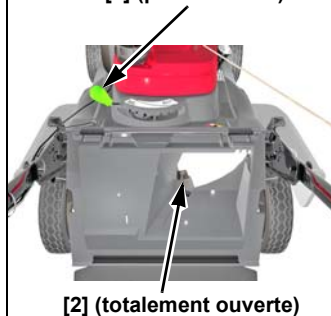
totalemment en position SAC. Vérifiez l'effet sur la pelouse. Au fur et à mesure que le bouton est déplacé vers la position BROYAGE, une quantité supérieure de gazon est recyclé sur la pelouse. Réglez le bouton de commande de tonte jusqu'à ce que vous obteniez les résultats souhaités.

MISE EN SAC OU DECHARGE ARRIERE ET UN PEU DE BROYAGE



MISE EN SAC OU DECHARGE ARRIERE TOTALE

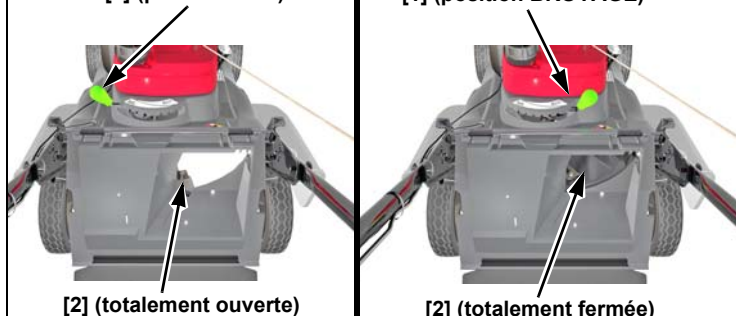
[1] (position SAC)



[2] (totalement ouverte)

BROYAGE TOTAL

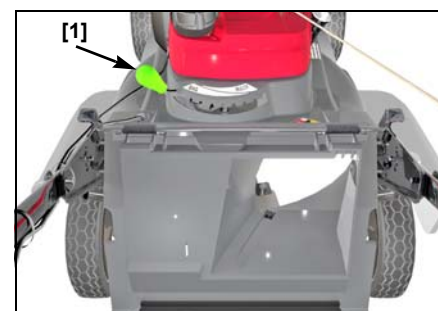
[1] (position BROYAGE)



[2] (totalement fermée)

Décharge arrière

Pour décharger la tonte vers l'arrière, enlevez le sac de décharge et placez le bouton de commande de tonte [1] dans la plage SAC.



Une décharge arrière maximum se produit lorsque le bouton de commande de tonte se trouve totalement à gauche en position (SAC). Au fur et à mesure que le bouton de commande de tonte est déplacé vers la position droite (BROYAGE), moins de gazon est déchargé par la protection de décharge arrière.



FONCTIONNEMENT

PRECAUTIONS A PRENDRE POUR LA TONTE

Avant d'utiliser la tondeuse pour la première fois, veuillez lire les **CONSIGNES DE SECURITE** (page 2), **VERIFICATIONS AVANT UTILISATION** (page 6).

Même si vous avez déjà utilisé d'autres tondeuses à gazon, prenez le temps de bien savoir comment cette tondeuse fonctionne et entraînez-vous dans un endroit sans danger jusqu'à ce que vous soyez familiarisé avec ses particularités.

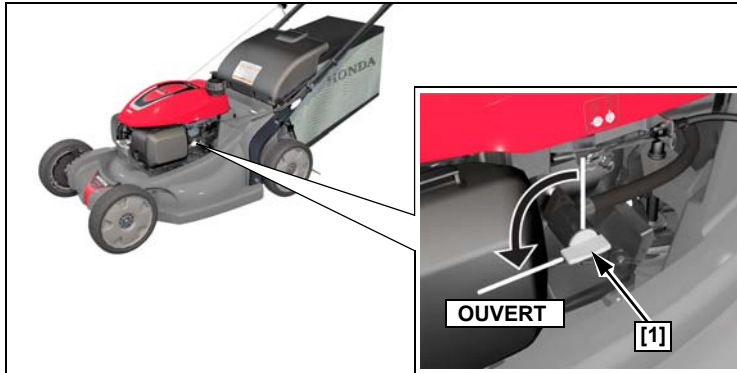
Pour votre sécurité, évitez de démarrer ou de faire fonctionner l'appareil dans un endroit fermé tel qu'un garage par exemple. Les émanations de votre tondeuse contiennent un gaz toxique (monoxyde de carbone) et peuvent s'accumuler rapidement et provoquer des malaises, voire la mort.

FRÉQUENCE D'UTILISATION

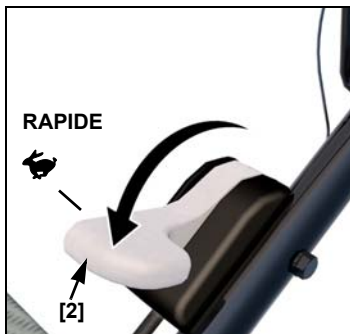
Si vous prévoyez de ne pas utiliser votre tondeuse à gazon fréquemment ou de l'utiliser de façon intermittente (plus de 4 semaines entre deux utilisations), veuillez vous reporter à la section « Carburant » du chapitre **RANGEMENT** (page 17) pour en savoir plus sur la détérioration du carburant.

DEMARRAGE DU MOTEUR

1. Placez la soupape de combustible [1] sur la position OUVERT.



2. Placez la manette des gaz [2] sur la position de rapide.
3. Tirez légèrement le démarreur [1] jusqu'à ce que vous sentiez une résistance puis tirez brusquement. Ramenez doucement le démarreur à sa position.



- Pour empêcher la ou les organe de coupe de tourner et la tondeuse d'avancer, relâchez toujours le levier de commande de organe de coupe et le levier d'embrayage d'avancement lorsque vous servez du démarreur.
4. Placez le levier de commande des gaz dans la position rapide pour tondre ou dans la position lente pour tourner au ralenti.

Pour assurer un redémarrage facile et la performance maximale de l'Auto Choke System, laissez le moteur fonctionner durant au moins trois minutes, après avoir démarré un moteur froid, avant de l'arrêter. Ce temps de fonctionnement minimum sera plus long si la température est inférieure à 21 °C.

Fonctionnement en haute altitude

En haute altitude, le mélange standard essence/air du carburateur est beaucoup trop riche : les performances diminuent et la consommation d'essence augmente. Un mélange très riche encrasse la bougie et occasionne des difficultés de démarrage.

On peut améliorer les performances en haute altitude, en effectuant certaines modifications du carburateur. Si vous faites fonctionner votre tondeuse à une altitude supérieure à 1500 mètres au-dessus du niveau de la mer, faites exécuter ces modifications par votre concessionnaire Honda.

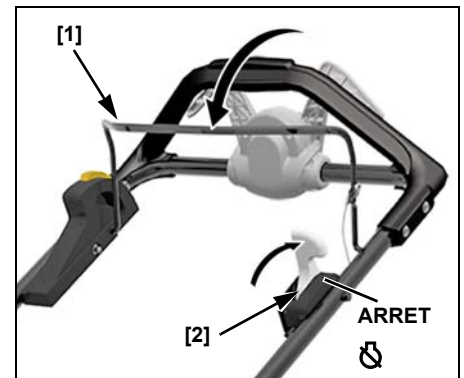
Même avec les modifications appropriées apportées au carburateur, la puissance du moteur diminue de 3,5% pour chaque 300 mètres d'altitude. Les effets de l'altitude sur la puissance du moteur sont supérieurs si aucune modification du carburateur n'est faite.

AVIS

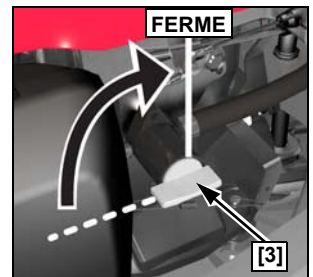
Lorsque le carburateur a été modifié pour un fonctionnement en altitude, le mélange air/essence est trop léger pour une utilisation à basse altitude. Le fonctionnement d'une tondeuse à basse altitude, moins de 1500 mètres, dont le carburateur a été modifié pour la haute altitude, provoque une surchauffe du moteur et peut endommager gravement ce dernier. Pour une utilisation à basse altitude, demandez à votre concessionnaire Honda de ramener le moteur aux spécifications d'origine de fabrication.

ARRÊT DU MOTEUR

1. Désengagez le levier de la commande de l'organe de coupe [1] pour arrêter la rotation de la organe de coupe.
2. Ramenez la manette des gaz [2] à la position ARRÊT pour arrêter le moteur.



3. Quand la tondeuse n'est pas utilisée, tournez la soupape de combustible [3] sur la position FERME.
4. Si vous prévoyez de ne pas utiliser votre tondeuse à gazon pendant 3 à 4 semaines, nous recommandons d'éliminer le carburant restant en laissant tourner le carburateur du moteur. Pour ce faire, vous pouvez laisser la soupape de carburant sur OFF, en redémarrant le moteur et en le laissant tourner jusqu'à ce qu'il n'y ait plus de carburant. Voir "RANGEMENT" on page 16 pour les périodes d'inutilisation dépassant 4 semaines.



Tondre En Toute Sécurité

Pour votre sécurité, maintenez à tout moment les quatre roues au sol, veillez à ne pas glisser et gardez fermement le contrôle de l'appareil. Tenez fermement le guidon et ne courez pas en poussant la tondeuse. Redoublez de prudence lors de la tonte sur terrains accidentés et irréguliers.

En cas de blocage, n'essayez pas de faire avancer la tondeuse en la poussant avec le pied, utilisez uniquement le guidon pour contrôler la machine.

⚠ DANGER

Les moyens de coupe sont tranchants et tournent à grande vitesse.

Si vous entrez en contact avec un filage des moyens de coupe, il vous couper sévèrement et peut sectionner les doigts et les orteils.

- Portez des chaussures de protection.
- Ne placez ni vos doigts ni vos pieds à proximité du carter de tonte lorsque le moteur fonctionne.
- Arrêtez le moteur avant de procéder à tout réglage, inspection ou opération d'entretien.

Pentes

Tondez toujours transversalement et jamais de bas en haut. Évitez les pentes trop abruptes (plus de 20%) et soyez prudent lors des changements de direction. Une pelouse mouillée ou humide est dangereuse car vous pouvez glisser, perdre l'équilibre, tomber et perdre le contrôle de la machine.



Obstacles

Utilisez le côté de la tondeuse pour couper à proximité des obstacles importants tels que les haies et les murs.

Relâchez le levier d>Select Drive pour libérer la vitesse et tondre autour d'arbres et autres obstacles. Poussez la tondeuse autour des obstacles afin de mieux la diriger. Faites attention lorsque vous passez sur des objets cachés dans la pelouse tels que têtes d'arrosage, pavés, bordures, etc. Évitez tout ce qui dépasse le niveau de la pelouse.

Si la organe de coupe heurte quelque chose, ou si la tondeuse commence à vibrer, arrêtez le moteur immédiatement et inspectez les dégâts éventuels. Les objets heurtés et projetés par la organe de coupe peuvent l'endommager, tordre le vilebrequin et (ou) casser le carter de tonte ou autres pièces de la tondeuse. Une vibration indique généralement qu'il y a un problème.

⚠ AVERTISSEMENT

Une organe de coupe usée, fendue ou abîmée peut se casser et ses morceaux peuvent devenir de dangereux projectiles.

Les objets projetés par la organe de coupe peuvent entraîner de graves blessures.

Vérifiez régulièrement l'état de la organe de coupe et n'utilisez pas la tondeuse si la organe de coupe est trop usée ou endommagée.

La garantie ne couvre pas les pièces endommagées par accident ou collision.

Gravier et cailloux

Les cailloux, gravier et autres matériaux d'aménagement des jardins se trouvant sur le chemin de la tondeuse en marche, peuvent en être projetés avec force et provoquer ainsi de sérieux dommages corporels ou matériels. Le meilleur moyen de prévenir de tels accidents est de relâcher le levier de commande de l'organe de coupe avant d'atteindre ces endroits couverts de cailloux, de gravillons, etc.

CONSEILS POUR LA TONTE

Quand tondre

La plupart des variétés d'herbe devraient être coupées lorsqu'elles dépassent de 2 à 3 centimètres la hauteur recommandée pour leur variété.

Tondez votre pelouse plus souvent si vous avez recours au broyage plutôt qu'à la mise en sac ou ramassage. Durant la saison de pousse intensive, tondez deux fois par semaine pour garder une belle pelouse.

Hauteur de coupe

Consultez un pépiniériste ou un magasin spécialisé dans le jardinage pour tous conseils relatifs aux types d'herbe existants et à leur croissance dans votre région.



LONG ENOUGH

Une observation rapprochée vous permettra de constater que la plupart des touffes d'herbe se composent de feuilles et de tiges. Si vous rasez les feuilles vous dénudez votre pelouse. Laisser le gazon récupérer entre les tontes. Votre gazon aura meilleur aspect et votre tondeuse vous donnera aussi sa meilleure qualité de coupe.



TOO SHORT

Si votre pelouse atteint une hauteur excessive, procédez à une première tonte à la hauteur maximale de coupe, puis tondez à nouveau 2 ou 3 jours plus tard. Ne coupez pas plus du tiers de la hauteur totale de l'herbe en une tonte car des taches brunes apparaîtraient.

Le fonctionnement des leviers de réglage de hauteur de coupe est expliqué à la page 5 au chapitre COMMANDES.

Largeur de tonte

Pour obtenir une coupe régulière, il est conseillé de revenir d'au moins quelques centimètres sur la partie déjà tondue. Plus l'herbe est haute ou épaisse, plus il vous faut chevaucher sur la partie déjà tondue afin de réduire la largeur de tonte effective.

Vitesse de rotation de la organe de coupe

Pour vous donner les meilleurs résultats, la organe de coupe doit tourner à grande vitesse. Mettez toujours la manette des gaz à grande vitesse et maintenez le moteur à son régime maximum.

Une baisse de régime est un signe de surmenage de la organe de coupe. Réduisez la largeur de tonte, faites avancer la tondeuse plus lentement ou augmentez la hauteur de coupe.

Affûtage de la organe de coupe

Une organe de coupe bien affûtée coupe l'herbe nettement. Une organe de coupe émoussée, au contraire, déchire l'herbe et en laisse l'extrémité déchiquetée et flétrie. Faites remplacer ou affûter une organe de coupe qui n'assure plus une coupe bien nette.

Sécheresse excessive

Lorsque le sol est trop sec, la tondeuse soulève une grande quantité de poussière. La poussière excessive crée non seulement un environnement désagréable, mais encrasse aussi le filtre à air du carburateur.

Si vous avez des problèmes de poussière, arrosez votre pelouse la veille de la tonte. Tondez le gazon lorsque l'herbe est sèche mais le sol encore humide.

Herbe mouillée

L'herbe mouillée est glissante et peut favoriser les chutes. De plus, les brins d'herbe humide ont tendance à encrasser le carter de tonte et à s'accumuler en paquets sur la pelouse. Attendez toujours qu'une herbe humide sèche avant de la tondre.

Feuilles mortes

Vous pouvez utiliser la tondeuse pour ramasser les feuilles mortes. Pour ramasser de grandes quantités de feuilles mortes sans tondre, ajustez les leviers de réglage de la hauteur de tonte de telle sorte que les roues de l'avant de la tondeuse soient un ou deux crans plus haut que l'arrière.

Placez d'abord le bouton de commande de tonte en position 9 (pas tout à fait au broyage total). Ce réglage permet de faire recirculer les feuilles et de les recouper jusqu'à ce que les particules soient suffisamment petites pour passer à travers l'ouverture de la porte coulissante et être déposées dans le sac de ramassage. En fonction de la taille, du type et de la teneur en eau des feuilles, vous devez ouvrir en conséquence la porte coulissante pour optimiser les résultats de la mise en sac. La porte coulissante permet un meilleur remplissage du sac de ramassage ce qui réduit le nombre de sacs à vider. Assurez-vous qu'il n'y a aucun obstacle, y compris les pierres, cachées sous les feuilles.

Pour broyer les feuilles tombées sur votre pelouse et les incorporer à cette dernière, n'attendez pas qu'elles forment une couche trop épaisse. Pour de meilleurs résultats, procédez au broyage lorsque l'herbe est encore visible sous les feuilles. Là où l'herbe est complètement recouverte de feuilles mortes, utilisez le râteau ou installez le sac de ramassage sur votre tondeuse qui les ramassera pour vous. Positionnez le bouton de commande de tonte en position **BROYAGE**.

Engorgement du carter de tonte

Avant de dégager un carter de tonte engorgé, arrêtez le moteur et tournez la soupape de combustible sur la position **FERME**. Après avoir retiré le capuchon de bougie, faites basculer la tondeuse pour que le carburateur se trouve vers le haut.

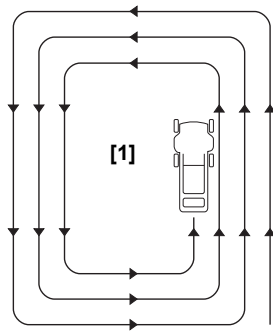
Dégagez le carter de tonte avec un bâton, ne vous servez pas de vos doigts.

Chemins de tonte

En raison de la conception du carter et de l'équipement de tonte, ainsi que du sens de rotation de la organe de coupe, votre tondeuse Honda fonctionne avec une efficacité maximale et vous donne les meilleurs résultats si vous suivez, dans la mesure du possible, les chemins **ENTRETIEN** de tonte décrits ci-dessous.

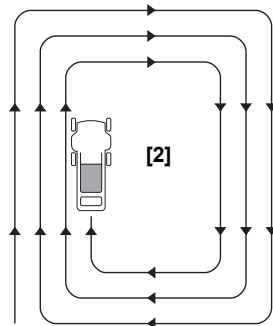
Broyage

Suivez un chemin tournant dans le sens inverse des aiguilles d'une montre lorsque le bouton de commande de tonte est en position de **BROYAGE** total [1]. Si votre pelouse n'a pas une forme régulière ou présente de nombreux obstacles, divisez-la en sections à l'intérieur desquelles vous pourrez broyer dans le sens inverse des aiguilles d'une montre.



Mise en sac

Utilisez un chemin allant dans le sens des aiguilles d'une montre [2]. Cela vous donne les meilleurs résultats de commande de tonte et de mise en sac tout en laissant le moins d'herbe coupée sur la pelouse.



Tonte avec décharge à l'arrière

Enlevez le sac de ramassage et fermez la protection de décharge. Réglez le bouton de commande de la tonte et commencez à tondre en suivant un chemin dans le sens inverse des

aiguilles d'une montre [2]. Si votre pelouse n'a pas une forme régulière ou présente de nombreux obstacles, divisez-la en sections.

ENTRETIEN

IMPORTANCE DE L'ENTRETIEN

Un bon entretien est essentiel pour un fonctionnement économique, sans problèmes et en toute sécurité. Il contribue aussi à réduire la pollution atmosphérique.

Afin de vous aider à entretenir votre tondeuse, les pages suivantes comprennent un calendrier d'entretien, des procédures d'inspection de routine et de simples procédures d'entretien utilisant des outils de base. Certaines tâches requièrent des outils spéciaux et doivent être laissées à des techniciens professionnels Honda ou à d'autres mécaniciens qualifiés.

Le calendrier d'entretien est étudié pour des conditions normales d'utilisation. Si vous utilisez votre tondeuse dans des conditions spéciales, consultez un concessionnaire Honda pour les recommandations appropriées à vos besoins.

Rappelez-vous que votre concessionnaire Honda connaît parfaitement votre tondeuse et est équipé pour les réparations et l'entretien.

Afin de maintenir une meilleure qualité et fiabilité, n'utilisez que des pièces Honda ou leur équivalent en cas de réparation ou remplacement.

⚠ AVERTISSEMENT

Négliger d'effectuer les réparations nécessaires avant l'utilisation ou entretenir le matériel de manière irrégulière, peuvent entraîner des blessures, voire la mort.

Suivez toujours les recommandations d'entretien et d'inspection ainsi que le calendrier dans ce manuel de l'utilisateur.

Securite et entretien

Des messages de sécurité importants vont suivre. Cependant, nous ne pouvons vous prévenir de tous les dangers possibles qui pourraient surgir durant l'entretien de votre appareil. Vous seul pouvez décider si une tâche est à votre portée.

⚠ AVERTISSEMENT

Le non respect des instructions d'entretien appropriées peut provoquer de sérieuses blessures, voire la mort.

Suivez toujours les instructions et précautions de ce manuel de l'utilisateur.

Précautions de sécurités

- Assurez-vous que le moteur est arrêté avant de commencer tout entretien ou réparation. Ceci éliminera les dangers potentiels suivants :
 - Empoisonnement par oxyde de carbone émanant du silencieux. Assurez-vous d'une ventilation adéquate chaque fois que vous mettez le moteur en marche.
 - Brûlures au contact de pièces brûlantes. Laissez le moteur et le silencieux refroidir avant de les toucher.
 - Blessures au contact de pièces mobiles. Ne démarrez pas le moteur sauf si cela est requis dans ce manuel.
- Lisez les instructions avant de commencer et assurez-vous que vous avez les outils ou la dextérité requis.

- Afin de réduire les possibilités d'incendie ou d'explosion, redoublez de prudence à proximité de l'essence. N'utilisez que des dissolvants non inflammables pour nettoyer les pièces. N'utilisez jamais d'essence. Eloignez les cigarettes, les étincelles et les flammes de toute pièce en contact avec l'essence.

CALENDRIER D'ENTRETIEN

Intervalle	Élément	Page
Avant chaque utilisation	Etat de la organe de coupe: Vérifier Boulon de montage de lame: Vérifier Déflecteur arrière: Vérifier Sac de ramassage: Vérifier Huile moteur: Vérifier Filtre à air: Vérifier Fonctionnement commande de l'organe de coupe: Vérifier	page 6 page 16 page 9 page 8 page 4 page 8 page 5
Premier mois ou 5 h	Huile moteur: Changer ¹ Câble de Select Drive: Régler	page 13 page 15
Premier 25 h	Filtre à air: Nettoyer ¹ Câble de la manette des gaz: Régler ² Câble de Select Drive: Régler Câble de Roto-Stop: Régler ²	page 14 page 15
Chaque tous les 6 mois ou 50h	Huile moteur: Changer ¹ Filtre à air: Nettoyer ¹ Câble de Select Drive: Régler Câble de Roto-Stop: Régler ²	page 13 page 14 page 15
Chaque 1 an ou 100 h	Huile moteur: Changer ¹ Filtre à air: Nettoyer ¹ Bougie: Nettoyer-Régler Pare-étincelles: Nettoyer ³ Câble de la manette des gaz: Régler ² Fonctionnement commande de l'organe de coupe: Vérifier Câble de Roto-Stop: Régler ² Pignons vitesse: Lubrifiez ² Vitesse de ralenti ² Hauteur de soupape: Régler ² Réservoir d'essence: Nettoyer ² Câble de Select Drive: Régler	page 13 page 14 page 14 page 14 page 5 page 15
Chaque 2 an ou 150 h	Huile moteur: Changer ¹ Filtre à air: Remplacer Bougie: Remplacer Câble de Select Drive: Régler Pignons vitesse: Lubrifiez ²	page 13 page 14 page 14 page 15
Tous les 2 ans	Durite d'essence: Remplacer ²	

1. Effectuez l'entretien plus souvent en cas d'utilisation dans des zones poussiéreuses.
2. L'entretien de ces pièces doit être confié à un concessionnaire Honda agréé, à moins que l'utilisateur ne soit suffisamment équipé en outillage et compétent. Reportez-vous au manuel d'atelier Honda.
3. En Europe ou dans les autres pays dans lesquels la directive 2006/42/EC sur la machinerie est en vigueur, ce nettoyage doit être réalisé par votre responsable d'entretien.

Ne pas suivre le calendrier de maintenance risque d'entraîner des pannes qui ne sont pas couvertes par la garantie.

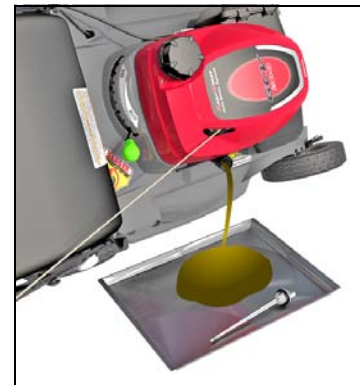
ENTRETIEN DU MOTEUR

Changement de l'huile moteur

Vidangez l'huile pendant que le moteur est encore chaud pour assurer une vidange rapide et complète.

1. Mettez la manette des gaz en position ARRET et tournez la soupape de combustible sur la position FERME. Ceci diminue les risques de fuites d'essence (page 5).
2. Essuyez l'orifice de remplissage de l'huile et retirez le bouchon de remplissage/jauge.

3. Placez un récipient près de la tondeuse pour récupérer l'huile usée et basculez la tondeuse sur son côté droit. L'huile va s'écouler par l'orifice de remplissage. Attendez que toute l'huile se soit écoulée.



Veillez disposer des huiles usées dans un récipient étanche et les amener dans les endroits conformes à la réglementation en vigueur (stations-services, garages) afin de respecter l'environnement. Ne les jetez pas dans la poubelle, ne les répandez pas sur le sol ou dans le caniveau.

4. Faites le plein avec une huile appropriée (page 7).

Plein : 0,35 ~ 0,40 L

Ne la faites pas déborder et mesurez le niveau d'huile comme indiqué à la page suivante.

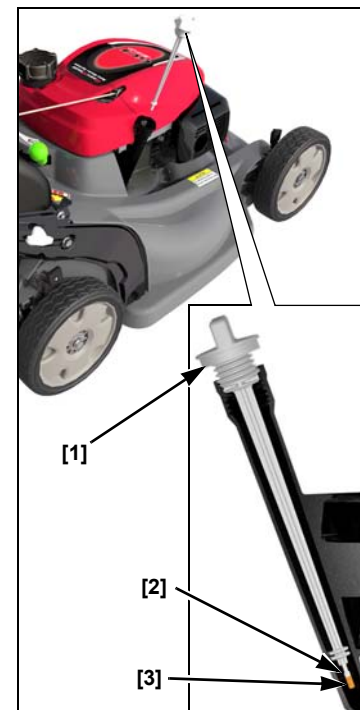


5. Après avoir changé l'huile et avant de redémarrer le moteur, vérifiez le niveau d'huile, la tondeuse étant sur une surface plane :

- a. Retirez le bouchon/jauge [1].
- b. Nettoyez la jauge.
- c. Insérez et retirez la jauge [1] sans revisser. Vérifiez le niveau d'huile ainsi mesuré sur la jauge.
- d. Si le niveau de l'huile est plus bas que le repère [3], ajoutez de l'huile jusqu'à atteindre le repère supérieur [2] sur la jauge. Ne le dépassez pas. Si le moteur a trop d'huile, l'excédent pourrait se transférer au filtre à air et à ses pièces.

AVIS

Un moteur fonctionnant avec une quantité d'huile insuffisante peut être endommagé.



- e. Revissez le bouchon/jauge à fond.

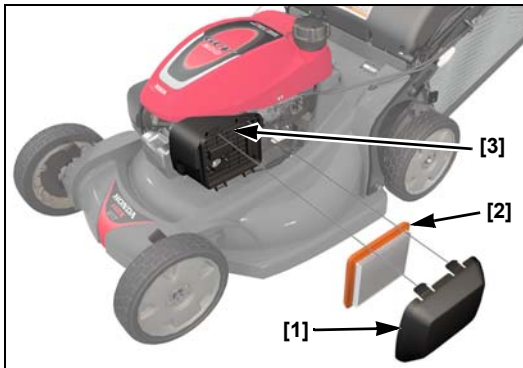
Entretien du filtre à air

Un filtre à air correctement entretenu contribuera à empêcher la saleté de pénétrer dans votre moteur. La saleté qui pénètre dans le carburateur peut s'infiltrer dans les passages étroits et causer une usure prématurée du moteur. Ces passages étroits peuvent s'obstruer, entraînant des problèmes au démarrage ou pendant le fonctionnement. Utilisez toujours un filtre compatible avec votre moteur pour garantir qu'il offre une protection adéquate.

AVIS

Si vous faites tourner votre tondeuse sans filtre à air ou avec un filtre à air endommagé, des impuretés pourront pénétrer dans le moteur, ce qui résultera en une usure prématurée de celui-ci. Ce type de dommage n'est pas couvert par la garantie.

1. Appuyer les ergots de maintien du couvercle du filtre à air [1], puis déposez le couvercle.



2. Retirez le filtre [2] de son boîtier [3].
3. Examinez le filtre et remplacez-le s'il est endommagé.
4. Nettoyez le filtre en le tapotant plusieurs fois sur une surface dure pour enlever la saleté, ou nettoyez-le au jet d'air comprimé (la pression de celui-ci ne doit pas excéder 207 kPa) qui devra être dirigé de l'intérieur vers l'extérieur. Ne tentez jamais d'utiliser une brosse pour enlever la saleté, ceci aurait pour effet de forcer celle-ci dans les fibres.
5. Nettoyez la saleté qui se trouve à l'intérieur du boîtier contenant le filtre et sur le couvercle à l'aide d'un chiffon mouillé. Veillez à ce que la saleté ne pénètre pas dans le conduit qui mène au carburateur.
6. Remontez le filtre et le couvercle.

Bougie d'allumage

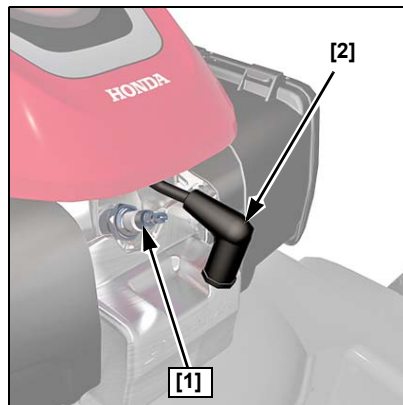
Bougies requises: NGK - BPR5ES

AVIS

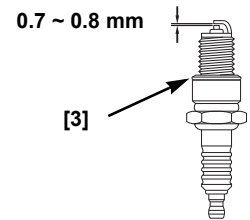
Une bougie non appropriée peut endommager le moteur.

Pour de meilleurs résultats, la bougie [1] doit être correctement assise et dénuée de poussière.

1. Débranchez le capuchon de bougie [2] et enlevez toute saleté autour de la bougie.
2. Enlevez la bougie avec une clé à bougie.



3. Examinez attentivement la bougie. Remplacez-la si les électrodes sont usées ou si l'isolant est fissuré ou cassé. Nettoyez la bougie à l'aide d'une brosse métallique si vous comptez la réutiliser.



4. Mesurez l'écartement des électrodes avec une jauge appropriée. La distance doit être de 0,7 à 0,8 mm. Si un réglage est nécessaire, il suffit de tordre soigneusement l'électrode latérale.
5. Remplacez la bougie avec précaution, à la main, pour éviter de croiser les fils.
6. Une fois la bougie sur son assise, vissez-la avec une clé à bougie pour comprimer la rondelle.

Si vous remplacez une bougie déjà utilisée, vissez d'1/8 à 1/4 de tour, une fois la bougie sur son assise. Si vous installez une bougie neuve, vissez-la d'1/2 tour pour comprimer la rondelle [3], une fois la bougie sur son assise.

Clé de serrage de organe de coupe : 20 N·m

AVIS

Une bougie mal installée peut surchauffer et endommager le moteur. Ne serrez pas trop afin de ne pas abîmer les fils et la tête de cylindre.

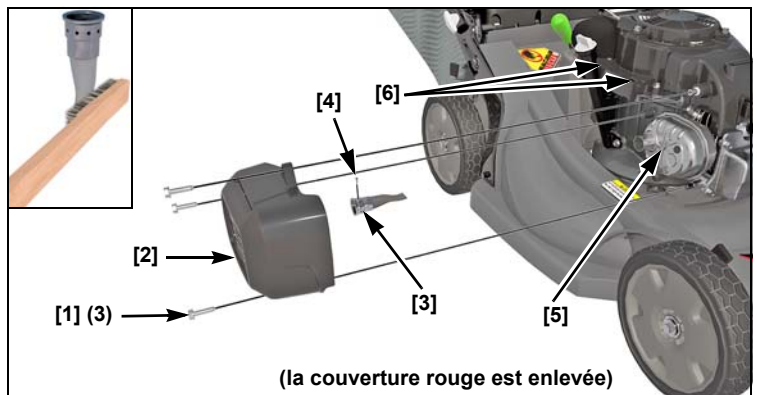
7. Remplacez le capuchon sur la bougie.

Entretien du pare-étincelles

En Europe ou dans les autres pays dans lesquels la directive 2006/42/EC sur la machinerie est en vigueur, ce nettoyage doit être réalisé par votre responsable d'entretien.

Le dispositif anti-étincelles doit faire l'objet d'une révision toutes les 100 heures pour qu'il soit en bon état de fonctionnement.

1. Attendez que le moteur refroidisse.
2. Déclipser les deux languettes du couvercle rouge [6] du côté du silencieux du moteur, puis soulever légèrement le couvercle.
3. Retirez alors les trois écrous [1] qui maintiennent la tôle protectrice du pot d'échappement [2] à l'aide d'une clé à pipe de 10 mm.
4. Déposez la tôle protectrice du pot d'échappement [2].
5. Retirez la vis [4].
6. Retirez le dispositif anti-étincelles [3] du pot d'échappement [5].
7. Vérifiez s'il y a des dépôts de carbone sur le dispositif anti-étincelles [3] et la sortie de l'échappement. Éliminez ces dépôts à l'aide d'une brosse. Veillez à ne pas endommager le tamis du dispositif anti-étincelles [3].
8. Montez le dispositif anti-étincelles dans le pot d'échappement.
9. Montez l'ensemble d'échappement sur le moteur et serrez fermement à l'aide des trois écrous.



(la couverture rouge est enlevée)

RÉGLAGES DES CÂBLES DE COMMANDE

Réglage du câble de traction-avance

Le moteur étant arrêté, desserrer d'un tour le contre-écrou [1].

SERRER la vis de réglage [4] en tournant CW un tour à la main, puis tirez la tondeuse vers l'arrière pour vérifier la résistance.

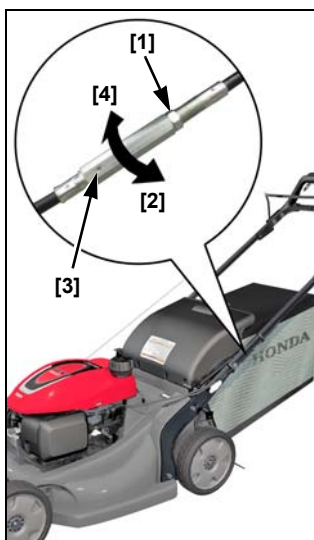
Si les roues n'opposent aucune résistance, répéter l'opération jusqu'à ce que les roues se bloquent quand la tondeuse est tirée vers l'arrière.

Ensuite, marquer le réglage [3] et **DESSERREZ** [2], le réglage CCW huit tours complets.

Immobiliser le régleur et serrer le contre-écrou contre le régleur.

Pousser la tondeuse vers l'avant puis la tirer vers l'arrière et s'assurer de l'absence de résistance, ou d'une résistance faible.

Démarrer le moteur et s'assurer que la tondeuse n'avance pas tant que l'on n'appuie pas sur la commande Select Drive.



MONTAGE ET DEMONTAGE DE LA ORGANE DE COUPE

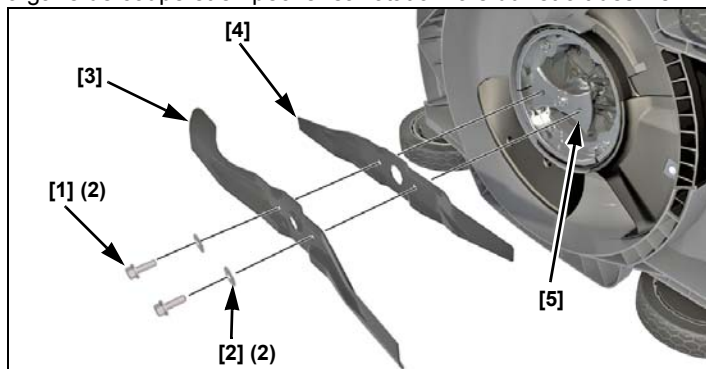
Si vous désirez retirer les organe de coupe pour les affûter ou les remplacer, il vous faut une clé dynamométrique. Portez des gants de protection afin de vous protéger les mains.

AFFUTAGE DE LA ORGANE DE COUPE: Pour éviter l'affaiblissement des organe de coupe, leur affûtage inégal ou imparfait, il convient de confier l'aiguisage de la organe de coupe à un concessionnaire Honda agréé.

REPLACEMENT DE ORGANE DE COUPE: N'utilisez que des organe de coupe de rechange Honda ou leur équivalent.

Démontage de Organe de Coupe

1. Ramenez la manette des gaz à la position **ARRET** pour arrêter le moteur.
2. Desconnecte el capuchón de la bujía (page 14). Basculer la tondeuse sur le côté droit de façon à ce que le bouchon de carburant soit sur le dessus. Ceci contribue à éviter les fuites de carburant, le suintement d'huile moteur dans le filtre à air et les démarrages difficiles.
3. Utilisez une clé à pipe de 14 mm (6 pointe) et retirez les deux vis [1] et les rondelles spéciales [2] de l'ensemble de commande des organe de coupe [5]. Utilisez un morceau de bois pour bloquer la organe de coupe et empêcher sa rotation lors du retrait des vis.



4. Retirez la organe de coupe supérieure de broyage [4] et la organe de coupe inférieure de broyage [3].

Montage de la organe de coupe

⚠ AVERTISSEMENT

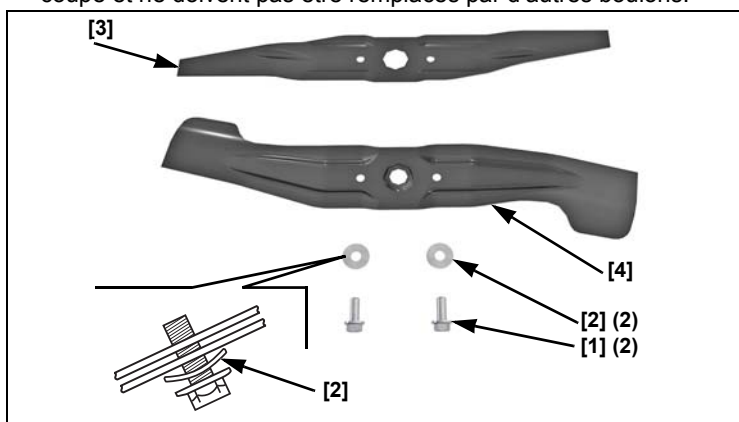
L'utilisation de cette tondeuse avec une seule organe de coupe va entraîner un défaut d'appui. La organe de coupe peut alors être éjectée de la tondeuse, avec le risque de blesser gravement ou de tuer quelqu'un.

Utilisez toujours les deux organe de coupe ensemble.

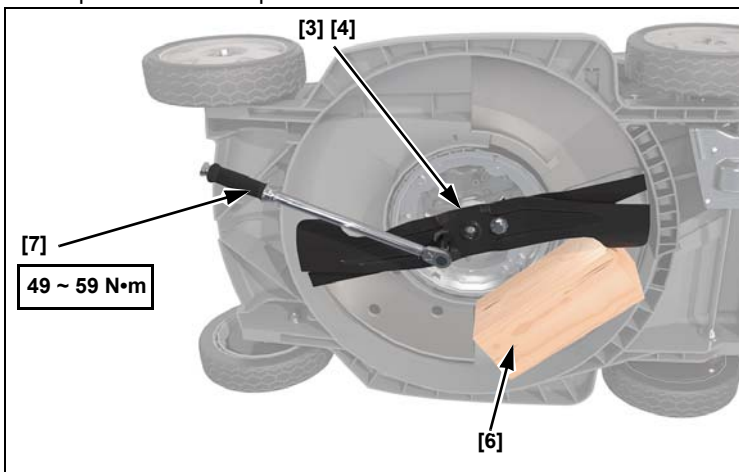
1. Nettoyez les impuretés et l'herbe se trouvant autour de la zone de montage de organe de coupe.
2. Installez les organe de coupe [3] [4] en utilisant les deux vis [1] et les rondelles spéciales [2] comme indiqué.

N'oubliez pas d'installer les rondelles spéciales avec le côté concave orienté en direction de la ou des organe de coupe et le côté convexe orienté vers la tête des boulons.

Les deux boulons sont spécialement conçus pour ces organe de coupe et ne doivent pas être remplacés par d'autres boulons.



3. Resserrez les boulons avec une clé dynamométrique [7]. Utilisez un morceau de bois [8] pour empêcher la rotation de les organe de coupe durant cette opération.



Clé de serrage de organe de coupe : 49 à 59 N·m

Si vous ne possédez pas de clé dynamométrique, demandez à un concessionnaire Honda de serrer les boulons de organe de coupe avant d'utiliser la tondeuse. Si les boulons sont trop serrés, ils peuvent se casser. Des boulons pas assez serrés pourraient prendre du jeu et sortir. Dans les deux cas, les organe de coupe pourrait être projetée lors de la tonte.

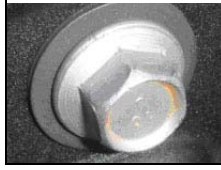
Inspection de boulon de montage de lame

Inspectez les boulons de la lame pour tout signe de dommage ou de lâcheté. Si elles sont endommagées, elles doivent être remplacées.

Si elles semblent desserrées, une clé dynamométrique doit être utilisée pour serrer avec précision les boulons de la lame au couple requis. Si vous n'avez pas de clé dynamométrique, apportez votre tondeuse à gazon chez un concessionnaire autorisé pour faire remplacer ou serrer les boulons.

N'utilisez que des boulons de lame Honda et des rondelles spéciales, car ils sont spécialement conçus à cet effet. Les numéros de pièces de rechange se trouvent à la page 19.

Inspectez les rondelles et les têtes des boulons pour voir si elles sont desserrées ou endommagées.



NETTOYAGE DU SAC DE RAMASSAGE ET REMPLACEMENT

Nettoyage du sac de ramassage

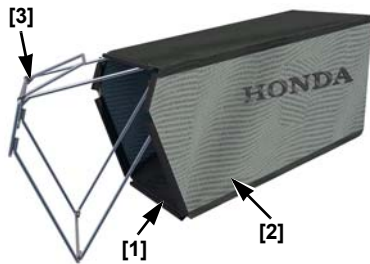
Lavez le sac à l'aide d'un tuyau d'arrosage et laissez-le sécher complètement avant de l'utiliser ; un sac mouillé se bouche très vite.

Remplacement du sac de ramassage

Remplacez un sac usagé ou déchiré par un sac de remplacement Honda ou son équivalent.

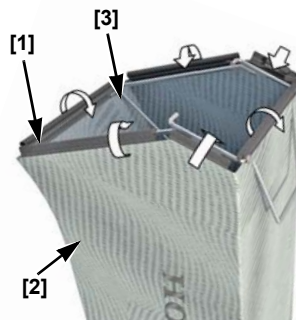
Retrait du sac

1. Décrochez les petites sangles en plastique [1] qui rattachent le sac [2] à son cadre [3].
2. Retirez le sac [2] du cadre.



Installation du sac

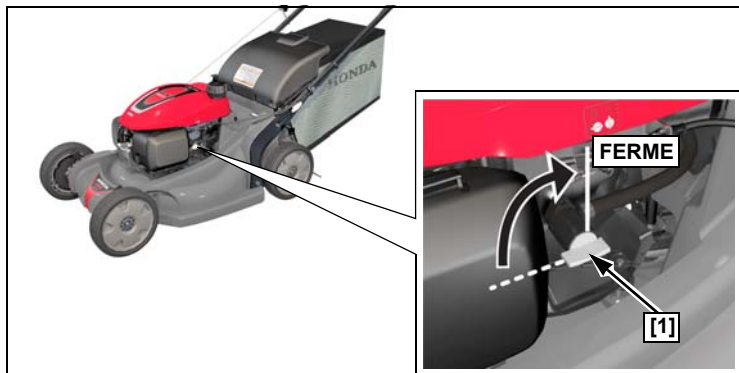
1. Insérez le cadre [3] dans le sac [2] comme indiqué ci-contre.
2. Rabattez les petites sangles en plastique [1] du sac [2] sur le cadre.



TRANSPORT

Avant de charger la tondeuse

Si le moteur est chaud, attendez qu'il refroidisse pendant 15 minutes au moins avant de charger la tondeuse sur le véhicule. Un moteur et tuyau d'échappement chauds peuvent vous brûler et mettre le feu à différents matériaux.

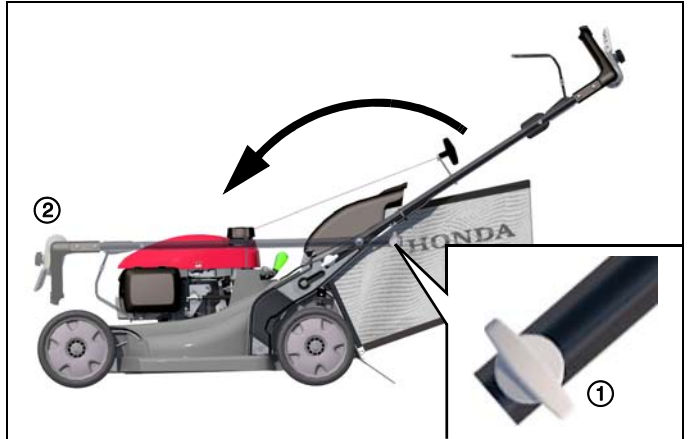


Tournez la soupape de combustible sur la position FERME ce qui évite+ de noyer le carburateur et réduit les risques de fuites d'essence.

Rangement du guidon

1. Retirez le sac de ramassage, si vous en avez un. Placez-le sur le moteur, ouverture vers l'avant.
2. Déverrouillez les boutons de réglage du guidon [1] et inclinez ensuite le guidon [2] vers l'avant.
3. Repliez le guidon sur la tondeuse. Assurez-vous que le levier de commande de la lame dégage le moteur lorsque vous pliez le guidon.

En pliant le guidon, prenez garde de ne pas pincer ni tordre le câblage des commandes.



Charger et décharger

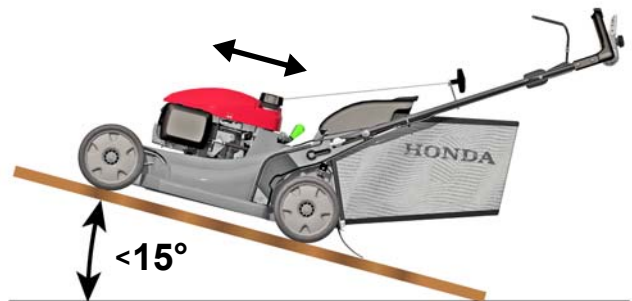
Placez la tondeuse de façon à ce que les 4 roues soient sur le plat du véhicule. Attachez la tondeuse avec des cordes ou sangles et bloquez les roues. Eloignez les sangles et les cordes utilisées des commandes, des leviers de réglage, des fils et du carburateur.

AVIS

Pour éviter tout risque de perte de contrôle ou d'endommagement de la tondeuse, n'utilisez pas le système de traction lorsque vous chargez ou déchargez la tondeuse sur une rampe.

Pour éviter d'endommager le système de traction, n'enclenchez pas l'embrayage lorsque la tondeuse roule en marche arrière.

1. Tournez la soupape de combustible sur la position FERME.
2. Utilisez une rampe de chargement convenable. Ajustez-la de façon à ce que son angle d'inclinaison soit inférieur à 15 degrés. Si vous n'avez pas de rampe de chargement, deux personnes seront nécessaires au chargement ou déchargement de la tondeuse de manière à la maintenir à niveau.



RANGEMENT

Un rangement adéquat est essentiel pour garder votre tondeuse en bon état. Les étapes suivantes vous aideront à protéger votre tondeuse de la rouille et de la corrosion et faciliteront le redémarrage du moteur lors de sa réutilisation.

Nettoyage

Lavez la tondeuse, dessous du carter de tonte inclus.

Moteur

Lavez le moteur à la main en prenant bien garde de ne pas mouiller le filtre à air.

Un tuyau d'arrosage ou un appareil de nettoyage à forte pression, peut faire pénétrer de l'eau dans le filtre à air. L'eau dans l'arrivée d'air peut mouiller les filtres et pénétrer dans le carburateur ou les cylindres du moteur, entraînant de sérieux dommages.

De l'eau en contact avec un moteur chaud peut provoquer des dégâts. Laissez le moteur refroidir au moins une demi-heure avant de le laver.

Carter de tonte

Si vous utilisez un tuyau d'arrosage ou un appareil de nettoyage à pression pour nettoyer le carter de tonte, assurez-vous que l'eau n'atteint pas l'intérieur des commandes et des fils, ni le filtre à air, ni l'ouverture du pot d'échappement.

Avant de laver le carter de tonte, vérifiez que la manette des gaz se trouve sur la position ARRET et que la soupape de combustible se trouve sur la position FERME. Basculez la tondeuse sur le côté droit de façon à ce que le bouchon de carburant soit sur le dessus. Portez des gants épais pour vous protéger des organe de coupe.

Sac de Ramassage

Retirez le sac de la tondeuse et lavez-le à l'aide d'un tuyau d'arrosage ou appareil de nettoyage à pression. Attendez que le sac soit complètement sec avant de le ranger.

Après avoir lavé la tondeuse, essuyez toutes les surfaces accessibles.

Une fois la tondeuse redressée, démarrez le moteur à l'extérieur et laissez-le atteindre sa température normale de fonctionnement afin que l'eau stagnante du moteur s'évapore.

Arrêtez le moteur et laissez-le refroidir.

Une fois la tondeuse propre et sèche, retouchez la peinture si nécessaire et enduisez les pièces qui pourraient rouiller d'une légère couche d'huile.

Carburant

AVIS

Selon la région d'utilisation de votre matériel, certaines formules de carburant peuvent se dégrader et s'oxyder rapidement. Le carburant peut se dégrader et s'oxyder en seulement 30 jours et peut endommager le carburateur ou le circuit d'alimentation. Merci de prendre connaissance des recommandations locales de stockage auprès de votre concessionnaire réparateur.

L'essence s'oxyde et se détériore pendant l'entreposage. L'essence éventée entraîne des démarrages difficiles et des dépôts qui encrassent le système de carburation. Si l'essence contenue dans la tondeuse se détériore pendant l'entreposage, vous pouvez avoir à réparer le carburateur et d'autres éléments du système de carburation.

Le temps de conservation de l'essence sans risque pour le réservoir et le carburateur, varie en fonction du mélange d'essence utilisé, de la température de stockage et du niveau de remplissage du réservoir. Si le réservoir n'est que partiellement rempli, l'air qu'il contient favorise l'oxydation et la détérioration de l'essence. Des températures élevées du local d'entreposage favoriseront la détérioration de l'essence. Cette détérioration peut se produire en quelques mois ou même moins si l'essence utilisée pour le plein n'était pas fraîche.

Si vous conservez un bidon d'essence pour le ravitaillement, assurez-vous qu'elle ne contient que l'essence fraîche.

Si il vous faut plus de 3 mois pour consommer tout le carburant stocké dans votre container de stockage, nous suggérons d'ajouter un stabilisateur de carburant au carburant lorsque vous remplissez le container.

Stockage à court terme (30-90 jours)

Si votre tondeuse doit rester inutilisée pendant 30 à 90 jours, nous recommandons ce qui suit pour éviter tout problème en rapport avec le carburant:

1. Ajoutez un stabilisateur d'essence en suivant les instructions du fabricant.

Faites le plein jusqu'au col du réservoir en utilisant de l'essence fraîche. Si le réservoir n'est que partiellement rempli, l'air qu'il contient favorisera l'oxydation et la détérioration de l'essence pendant l'entreposage.

Remarque :

- Tous les stabilisateurs ont une durée de conservation limite, et leur performance déclinera avec le temps.
 - Les stabilisateurs de carburant ne reconstitueront pas un carburant vicié.
2. Après avoir ajouté le stabilisateur, faites tourner le moteur à l'extérieur pendant 10 minutes afin de vous assurer que l'essence traitée a remplacé l'essence non traitée dans le système à carburant.
3. Placez le robinet à essence sur la position OFF.
4. Continuez à laisser tourner le moteur jusqu'à ce qu'il s'arrête à cause du manque de carburant dans la cuve du carburateur. Le moteur ne devrait pas tourner plus de 3 minutes.

Stockage à long terme ou saisonnier (plus de 90 jours)

Démarrez le moteur et laissez-le tourner jusqu'à ce que toute l'essence de la totalité du circuit d'alimentation de carburant (y compris le réservoir de carburant) ait été brûlée. Ne laissez pas d'essence dans votre moteur pendant plus de 90 jours d'inutilisation.

La garantie ne couvre pas les dommages au système de carburation ou les problèmes de performances du moteur entraînés par une mauvaise préparation à l'entreposage.

Huile moteur

Changez l'huile du moteur (page 13).

Cylindre du moteur

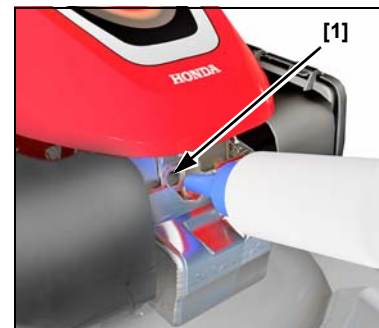
Si la tondeuse reste entreposée pour plus de trois mois, retirez la bougie d'allumage (page 14).

Versez 5 à 10 cm³ d'huile moteur fraîche dans le cylindre [1]. Tirez sur le démarreur plusieurs fois pour bien répartir l'huile dans le cylindre. Remontez la bougie.

Tirez doucement sur le démarreur jusqu'à ce que vous sentiez une résistance et remplacez la poignée. Ceci va fermer les valves de manière à ne pas laisser pénétrer l'humidité dans le cylindre moteur.

Mise en place dans le stockage

Si la tondeuse entreposée contient de l'essence dans le réservoir, il est important de réduire le risque potentiel d'incendies provoqués par les vapeurs d'essence. Choisissez un local d'entreposage bien aéré et éloigné de tout appareil à flamme (chaudière, chauffe-eau ou sèche-linge). Evitez aussi tout lieu où fonctionnent des outils électriques ou un moteur électrique produisant des étincelles.



Si possible, évitez les locaux d'entreposage humides qui favorisent la formation de rouille et de corrosion.

Faites reposer la tondeuse sur une surface plane. L'inclinaison de la tondeuse peut provoquer une fuite d'essence ou d'huile.

Le guidon peut être plié pour un rangement moins encombrant (page 16).

Le moteur et le tuyau d'échappement du moteur étant froids (pour éviter tout risque de fusion de certaines matières), recouvrez la tondeuse pour la protéger de la poussière. N'utilisez pas de bâche en plastique qui emprisonne l'humidité et favorise la formation de rouille et de corrosion.

Réutilisation Après Rangement

Procédez aux vérifications de la tondeuse décrites dans le chapitre VERIFICATION AVANT UTILISATION (page 6) de ce manuel.

Si le cylindre a été enduit d'huile durant la préparation à l'entreposage, le moteur fumera légèrement lors du démarrage. Ce phénomène est normal.

NUMÉRO DE SÉRIE DU CHÂSSIS ET DU MOTEUR

Notez les numéros de série du châssis et du moteur (page 3) dans l'emplacement ci-dessous. Vous en aurez besoin pour commander des pièces détachées et pour toute question d'ordre technique ou relative à la garantie.

Numéro de série du châssis : _____ - _____

Numéro de série du moteur : _____ - _____

Date d'achat : _____ / _____ / _____

DEPISTAGE DES PANNES

LE MOTEUR NE DÉMARRE PAS

Cause possible	Solution
Soupape de combustible sur FERME	Tournez la soupape de combustible sur OUVERT (page 5).
La manette des gaz est dans la mauvaise position	Déplacez la manette des gaz sur la position RAPIDE (page 5).
Pas d'essence	Faites le plein.
Mauvaise essence ; tondeuse entreposée sans vidange ou avec essence non traitée, ou plein fait avec essence éventée	Refaites le plein avec de l'essence fraîche (page 7).
La bougie est défectueuse, mal posée, sale	Nettoyez, remplacez ou changez la bougie (page 14).
La bougie est enduite d'essence (moteur noyé)	Séchez et réinstallez la bougie. Démarrez le moteur, avec la manette des gaz dans la position rapide.
Le filtre à essence est bouché. Le carburateur ou l'allumage fonctionne mal, la valve est bouchée, etc.	Portez la tondeuse chez un concessionnaire Honda ou consultez le manuel d'atelier.

PERTE DE PUISSANCE

Cause possible	Solution
La manette n'est pas en position rapide	Mettez la manette sur RAPIDE (page 5).
L'herbe est trop haute pour être coupée	Augmentez la hauteur de coupe (page 8), coupez des bandes plus étroites (page 11), ou coupez l'herbe plus souvent. Réglez le bouton de commande de tonte.
Le carter de tonte est engorgé	Nettoyez le carter de tonte (page 17).
Filtre à air bouché	Nettoyez ou remplacez le filtre à air (page 14).
Essence éventée ; tondeuse entreposée sans vidange ou avec essence non traitée, ou plein fait avec de l'essence éventée	Refaites le plein avec de l'essence fraîche (page 7).
Filtre à essence bouché, carburateur ou allumage fonctionnent mal, la valve est bouchée, etc.	Portez la tondeuse chez un concessionnaire Honda ou consultez le manuel d'atelier.

VIBRATION

Cause possible	Solution
De l'herbe et des débris se sont logés sous le carter	Nettoyez le carter de tonte (page 17).
La organe de coupe a du jeu ou est tordue, endommagée ou déséquilibrée par un mauvais affûtage	Resserrez les vis de la organe de coupe. Remplacez la(les) organe de coupeorgane de coupe (s) endommagée(s) (page 15).
Dommages mécaniques (vilebrequin tordu, par exemple)	Portez la tondeuse chez un concessionnaire Honda ou consultez le manuel d'atelier.

PROBLEMES DE MISE EN SAC ET TONTE

Cause possible	Solution
La vitesse du moteur est trop faible pour couper	Avancez le levier dans la position rapide (page 5).
La tondeuse avance trop vite en vue de l'état de la pelouse	Déplacer le levier Select Drive à une vitesse lente (page 5) ou poussez plus lentement.
Les leviers de réglage de hauteur de tonte sont à des positions différentes	Alignez tous les leviers sur la même position de hauteur de coupe (page 5).
Le sac de ramassage est trop plein ou bouché	Videz le sac à herbe. Lavez-le si encrassé de poussière (page 8).
Le carter de tonte est bouché	Nettoyez le carter de tonte (page 17).
La (les) organe de coupe(s) sont émoussées, tordues ou endommagées	Affûtez ou remplacez la(les) organe de coupe(s) (page 15).
Organe de coupe inadéquate en place	Installez la organe de coupe convenable (page 15).

PIÈCES

Article	Numéro de la pièce
Robinet d'essence	17211-Z8B-901
Bougie	98079-55846
Organe de coupe	72531-VH7-000 (supérieur) 72511-VH7-000 (inférieur)
Boulon organe de coupe (2)	90105-960-710
Rondelle boulon (2)	90502-VG3-000

SPÉCIFICATIONS

MODÈLE	HRX537C5
TYPE	VYE
CODE DE DESCRIPTION	MAMA

GENERAL

Longueur totale	1 610 mm
Hauteur de la poignée	1 073 mm
Masse (ISO5395)	43,5 kg
Largeur de la bande de roulement	588 mm
Largeur de coupe	530 mm
Réglage hauteur de coupe	19 mm, 32 mm, 46 mm, 62 mm, 75 mm, 88 mm, 101 mm
Capacité du sac de ramassage	85 L
Niveau de pression acoustique au poste de conduite (selon EN ISO 5395-1:2013)	85 dB(A)
Incertitude	1 dB(A)
Niveau de puissance acoustique mesuré (selon directive 2000/14/EC)	96 dB(A)
Incertitude	1 dB(A)
Niveau de puissance acoustique garanti (selon directive 2000/14/EC)	98 dB(A)
Vibrations transmises (selon EN ISO 5395-1:2013)	5.4 m/s ²
Incertitude	2.1 m/s ²

MOTEUR

Modèle	GCV200
Type	4 temps, monocylindre, bielle verticale
Déplacement	201 cm ³
Alésage x course	66 x 59 mm
Refroidissement	Air forcé
Lubrification	Barbotage et projection
Taux de compression	8,0:1
Vitesse maximale	2 850 ⁺⁰ ₋₁₀₀ tours/mn
Vitesse au ralenti	1 700 ± 150 tours/mn
Système d'allumage	Magnétique transistorisé
Bougie	NGK: BPR5ES
Ecartement des électrodes de la bougie	0,7 ~ 0,8 mm
Filtre à air	De type sec
Essence recommandée	Indice d'octane recherche d'au moins 91
Capacité du réservoir d'essence	0,91 L
Huile recommandée	SAE 10W-30, API SJ ou équivalent
Capacité huile moteur	0,4 L * Plein : 0,35 ~ 0,40 L

* Le niveau peut varier en fonction de l'huile restant dans le moteur. Utilisez toujours la jauge d'huile pour vérifier le niveau réel de l'huile (page 6).

TRANSMISSION

Type	Vitesse variable transmission
Moteur à transmission	À courroie en V
Embrayage principal	Le type glissant de cône de friction
Vitesse tondeuse	0 ~ 1,64 m/s
Fluide recommandé	10W-30

INTRODUCCIÓN

Gracias por adquirir un cortacéspedes Honda.

Este manual abarca los aspectos de la operación y el mantenimiento del cortacéspedes Honda HRX537VYE.

Deseamos ayudarle a obtener los mejores resultados de su nuevo cortacéspedes y a operarlo con la mayor seguridad. Este manual contiene la información sobre cómo hacerlo; por favor léalo cuidadosamente.

Este manual debe ser considerado como una parte permanente del cortacéspedes y debe acompañar a la unidad en el caso de que se venda después de usarlo.

Si usted tiene algún problema o preguntas con respecto al cortacéspedes, póngase en contacto con su distribuidor autorizado de Honda.

Le aconsejamos que lea el certificado de garantía a fin de entender completamente sus derechos y responsabilidades. El certificado de garantía es un documento por separado que será provisto por su distribuidor de Honda.

Honda Power Equipment Mfg., Inc., se reserva el derecho de efectuar cambios en cualquier momento sin previo aviso y sin incurrir en ninguna obligación.

Ninguna sección de esta publicación puede ser reproducida sin la autorización por escrito.

MENSAJES DE SEGURIDAD

Ponga especial atención a los textos precedidos por las palabras siguientes:

⚠ PELIGRO

No seguir las instrucciones correspondientes le CAUSARÁ lesiones graves o la muerte.

⚠ ADVERTENCIA

Previene contra el riesgo de SUFRIR LESIONES GRAVES o incluso MORTALES, en el caso de no seguir las instrucciones.

⚠ PRECAUCION

Previene contra el riesgo de SUFRIR LESIONES en el caso de no seguir las instrucciones.

Cada mensaje le informa acerca del tipo de riesgo que puede ocurrir y acerca de lo que usted puede hacer para evitar o reducir el riesgo de sufrir lesión alguna.

MENSAJES DE PREVENCIÓN DE DAÑOS

Usted encontrará además, otros mensajes importantes que van precedidos por la siguiente palabra:

AVISO

El no seguir las instrucciones puede ocasionar daños a su cortacéspedes o a la propiedad de terceros.

El propósito de estos mensajes es el de ayudarle a evitar los daños a su cortacéspedes, a la propiedad de terceros o al medio ambiente.

HONDA

MANUAL DEL PROPIETARIO (Manual original) HRX537VYE CORTACÉSPED



ESPAÑOL

INDICE

INTRODUCCIÓN	1	MANTENIMIENTO	12
MENSAJES DE SEGURIDAD	1	La Importancia Del	
INFORMACIÓN DE SEGURIDAD 2		Mantenimiento	12
Ubicación De La Etiqueta De		Programa	
Seguridad	3	De Mantenimiento	13
Placa De Identificación Del		Mantenimiento Del Motor	13
Producto	3	Ajustes Del Cable	
IDENTIFICACIÓN DE LOS		De Control	15
COMPONENTES	3	Montaje Y Desmontaje De La	
INSTALACIÓN	4	Cuchilla	15
MANDOS	5	Limpieza Y Cambio Del	
INSPECCIONES ANTES DE LA		Saco Para Césped	16
OPERACIÓN	6	TRANSPORTE	16
Nivel de aceite del motor	6	ALMACENAMIENTO	17
Combustible	7	RESOLUCIÓN DE PROBLEMAS	18
OPERACIÓN	9	ESPECIFICACIONES	19
Precauciones Al Cortar			
El Césped	9	Condiciones De Garantía Honda,	
Encendido del Motor	10	Declaración de Conformidad CE,	
Operación De Los Mandos		Honda Distribuidor Dirección	
Durante El Corte	 Última página	
De Césped	10		
Prácticas de Seguridad Para			
Cortar El Césped	10		
Consejos Para El Corte	11		

INFORMACIÓN DE SEGURIDAD

⚠️ ADVERTENCIA

Para asegurar una operación sin peligros –



- Los cortacéspedes Honda están diseñados para brindar un servicio seguro y confiable si se operan de acuerdo a las instrucciones. Lea y entienda el manual del propietario antes de operar el cortacéspedes. El no hacerlo así podría resultar en lesiones personales o en daños a la unidad.

- Lea cuidadosamente las instrucciones, familiarícese con los mandos y con el uso correcto del equipo.
- Nunca permita que niños o personas que no estén familiarizadas con estas instrucciones utilicen el cortacéspedes. Los reglamentos locales podrían limitar la edad del operador.
- Nunca opere el cortacéspedes cuando personas, principalmente niños o mascotas, se encuentren cerca.
- Recuerde que el operador o usuario es responsable por las lesiones o peligros que ocurran a otras personas o a la propiedad de terceros.
- Mientras utiliza el cortacéspedes, use siempre calzado apropiado y pantalones largos. Nunca opere el cortacéspedes con los pies descalzos ni con sandalias.
- Inspeccione cuidadosamente el área donde se usará el equipo y retire todos los objetos que puedan ser recogidos y lanzados por la máquina.
- La gasolina es altamente inflamable:
 - Almacene el combustible en recipientes específicamente diseñados para ese propósito.
 - Efectúe la recarga de combustible solamente en áreas al aire libre y absténgase de fumar mientras lo hace.
 - Añada el combustible antes de echar a andar el motor. Nunca remueva el tapón del tanque de combustible ni añada gasolina mientras el motor esté en marcha o cuando el motor esté caliente.
 - Si se derrama gasolina, no intente encender el motor, sino mueva la máquina lejos del área del derrame y evite crear una fuente de ignición hasta que los vapores de la gasolina se hayan disipado.
 - Instale fijamente el tapón de la gasolina.
- Cambie los silenciadores defectuosos.
- Antes de usar el equipo, efectúe siempre una inspección visual para determinar que la(s) cuchilla(s), el(los) perno(s) de la cuchilla y la cubierta del cortacéspedes no estén gastados ni dañados. Cambie la(s) cuchilla(s) gastada(s) o dañadas y el(los) perno(s) en conjunto, para conservar el equilibrio de las piezas.
- No opere el motor en un espacio confinado, donde los vapores peligrosos de monóxido de carbono se puedan concentrar.
- Corte el césped solamente a la luz del día o con suficiente luz artificial.
- Evite operar el equipo sobre hierba mojada, cuando sea posible.
- Al cortar el césped en terrenos con pendiente:
 - Esté seguro siempre de obtener un buen equilibrio sobre las pendientes.
 - Siegue en dirección transversal a la pendiente, nunca en sentido ascendente o descendente.
 - Camine, nunca corra.
 - Observe extrema precaución cuando cambie de dirección en las pendientes.
 - No siegue sobre pendientes demasiado inclinadas.
- Use extrema precaución cuando marche en retroceso o al tirar del cortacéspedes en dirección hacia usted.
- Detenga la(s) cuchilla(s) si el cortacéspedes debe ser inclinado para ser transportado, cuando se desplace sobre superficies que no sean de césped y cuando transporte el cortacéspedes hacia y desde el área que se desea segar.
- Nunca opere el cortacéspedes cuando las protecciones y las corazas estén dañadas o sin los dispositivos de seguridad (por ejemplo: los deflectores y/o el saco para césped en su lugar).
- No intente efectuar ajustes a la altura de las ruedas mientras la máquina esté en marcha.
- No cambie los ajustes del regulador del motor ni acelere demasiado el motor.

- Desconecte los embragues de todas las cuchillas y de la transmisión antes de echar a andar la máquina.
- Encienda cuidadosamente el motor, de acuerdo con las instrucciones y mantenga los pies alejados de la(s) cuchilla(s).
- No incline el cortacéspedes cuando encienda el motor.
- No coloque las manos ni los pies cerca o debajo de las piezas en movimiento. Manténgase alejado de la abertura de descarga en todo momento.
- Nunca levante ni transporte un cortacéspedes mientras el motor está en marcha.
- Detenga la marcha del motor y desconecte el cable de la bujía:
 - Antes de eliminar un bloqueo o una obstrucción del cortacéspedes.
 - Antes de inspeccionar, limpiar o efectuar alguna labor de mantenimiento en el cortacéspedes.
 - Después de golpear un objeto extraño. Inspeccione el cortacéspedes para determinar los daños y efectuar las reparaciones antes de reiniciar la operación del mismo.
 - Si el cortacéspedes comienza a vibrar a normalmente, inspección inmediatamente.
- Detenga la marcha del motor:
 - Siempre que deje el cortacéspedes desatendido.
 - Antes de efectuar la recarga de combustible del cortacéspedes.
 - Antes de retirar el saco para césped, el adaptador de la descarga lateral.
- Desacelere el motor hasta apagarlo y cierre la válvula del combustible, al terminar de cortar el césped.
- Mantenga apretadas todas las tuercas, pernos y tornillos para asegurar que el equipo se encuentre en condiciones seguras de trabajo.
- Nunca almacene el equipo con gasolina en el tanque dentro de un edificio donde los vapores puedan alcanzar una fuente de llamas o de chispa.
- Permita que el motor se enfríe antes de almacenarlo en cualquier recinto. Para reducir el riesgo de incendio, mantenga el motor, el silenciador, el compartimiento de la batería (si es aplicable) y el área de almacenamiento de gasolina, sin la presencia de hierba recortada, hojarasca o grasa excesiva.
- Inspeccione frecuentemente el saco para césped a fin de determinar si existe algún desgaste o deterioro.
- Cambie las piezas gastadas o dañadas para una mayor seguridad.
- Si el tanque de combustible debe drenarse, esto debe hacerse al aire libre.
- Use protección para los ojos.
- La máquina no debe utilizarse nunca si el usuario está fatigado o enfermo, ni después de consumir fármacos, drogas, alcohol o sustancias peligrosas que pudieran interferir en sus reflejos o en su concentración.
- Cuando utilice la máquina, utilice siempre calzado de seguridad que sea resistente y con suela antideslizante y pantalones largos. No utilice la máquina descalzo ni con zapatos abiertos. Evite llevar cadenas, pulseras o prendas holgadas con partes sueltas ni lazos o corbatas. El pelo largo debe permanecer recogido. Utilice siempre un casco antirruído.
- Recuerde que el operario o el usuario es el responsable de cualquier accidente o de cualquier hecho inesperado que pudiera ocurrirles a otras personas o a sus propiedades. El usuario es responsable de comprobar los riesgos causados por el terreno sobre el que debe trabajarse y de tomar todas las precauciones necesarias para asegurar su propia seguridad y la de los demás, en particular en terrenos inclinados, duros, resbaladizos o inestables, o cerca de orificios, zanjas u orillas.
- **ADVERTENCIA** – Los niveles de ruido y vibraciones indicados en esta hoja informativa son los niveles máximos para el uso de la máquina. El uso de una cuchilla desequilibrada, de una velocidad de movimiento demasiado elevada y la falta de mantenimiento tienen un impacto significativo sobre las emisiones de sonido y las vibraciones. Es, por consiguiente, necesario tomar medidas preventivas para eliminar todos los daños posibles causados por los altos niveles de ruido y las tensiones producidas por las vibraciones; asegúrese siempre de que la máquina está bien mantenida, y utilice un casco antirruído. Realice descansos durante el trabajo.

Eliminación

Para proteger el medio ambiente, no tire el producto, la batería, el aceite de motor, etc. usados en un lugar de recolección de la basura. Observe las leyes y regulaciones de su localidad o consulte a un concesionario Honda autorizado cuando deba tirar tales partes.

UBICACION DE LA ETIQUETA DE SEGURIDAD

Esta etiqueta le advierte acerca de posibles peligros que podrían ocasionar lesiones graves. Lea cuidadosamente el significado de la etiqueta. Si la etiqueta se despegga o se vuelve ilegible, póngase en contacto con su distribuidor para obtener una nueva.

Letra	Símbolos
A	
	<p>1. Leer el manual de explicaciones antes de utilizar el cortacésped.</p> <p>2. Riesgo de proyecciones. Mantenerse alejado de personas al utilizar el cortacésped.</p> <p>3. Riesgo de corte. Cuchilla rotativa. No poner las manos ni los pies debajo del cárter de corte. Desconectarse de la bujía antes de proceder a cualquier labor de mantenimiento o reparación en la máquina.</p> <p>4. No utilizar sin deflector o saco recogedor.</p>

B	
	<p>5. Leer el manual de explicaciones antes de utilizar el cortacésped.</p> <p>6. El motor emite gas monóxido de carbono que es tóxico y venenoso. No lo tenga en marcha en un lugar cerrado.</p> <p>7. La gasolina es muy inflamable y explosiva. Pare el motor y espere a que se enfríe antes de repostar.</p>

PLACA DE IDENTIFICACIÓN DEL PRODUCTO

Letra	Símbolos
C	
	<p>1. Nivel de potencia acústica garantizado de acuerdo a la Directiva 2000/14/EC</p> <p>2. Marca de conformidad de acuerdo con la EC-Directiva</p> <p>3. Marca de conformidad optional</p> <p>4. Potencia nominal en Kilovatios</p> <p>5. Velocidad del motor máximo</p> <p>6. Mes y año de fabricación</p> <p>7. Peso en kilogramos</p> <p>8. Número de serie</p> <p>9. Modelo</p> <p>10. Nombre y dirección el representante autorizado</p> <p>11. Nombre y dirección del fabricante</p> <p>Nombre y dirección del fabricante y representante autorizado están escritos en el "Declaraton CE de conformidad" ESQUEMA DE CONTENIDOS en este manual de instrucciones.</p>

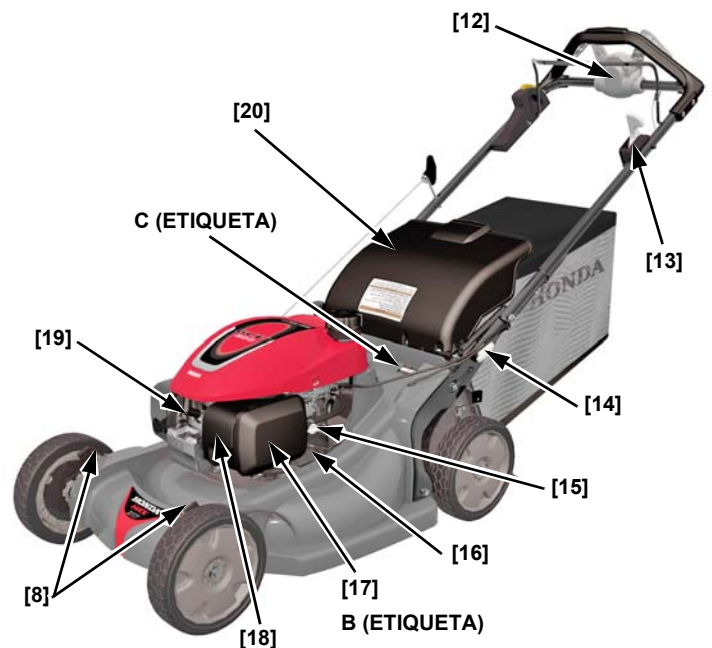
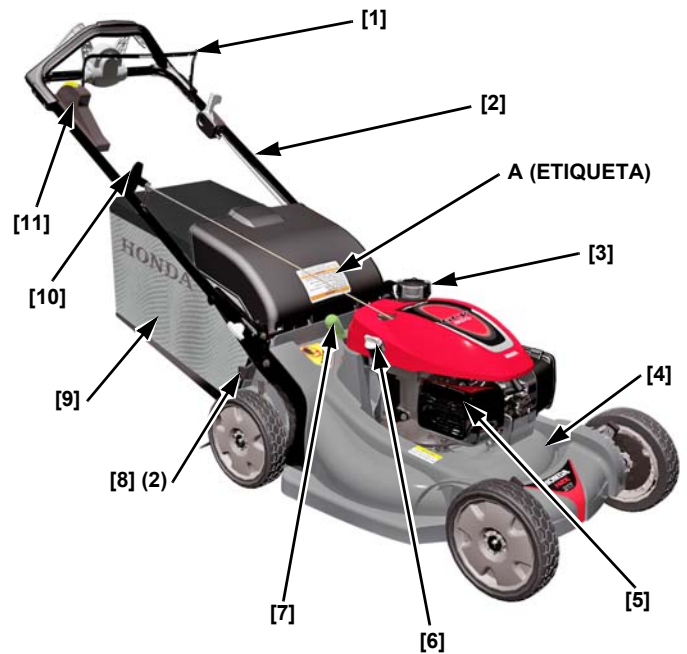
Registre los números de serie del bastidor y del motor en el espacio que sigue. Estos números de serie pueden ser necesarios cuando solicite piezas de repuesto y cuando haga consultas sobre cuestiones técnicas o de garantía.

Números de serie del bastidor: _____ - _____

Números de serie del motor: _____ - _____

Fecha de compra: ____ / ____ / ____

IDENTIFICACIÓN DE LOS COMPONENTES



1	Palanca de freno de volantes
2	Manillar
3	Tapón del tanque de combustible
4	Protector de descarga trasera
5	Silenciador
6	Tapón del depósito de aceite
7	Perilla del director de corte
8	Palancas (4) de ajuste de la altura de corte
9	Saco para césped
10	Lanzador

11	Roto-Stop botón
12	Mando de Select Drive
13	Palanca del acelerador
14	Perillas de bloqueo del manillar (2)
15	Válvula de combustible
16	No. de serie del motor
17	Filtro de aire
18	Carburador
19	Capuchón de la bujía
20	Protector de la descarga

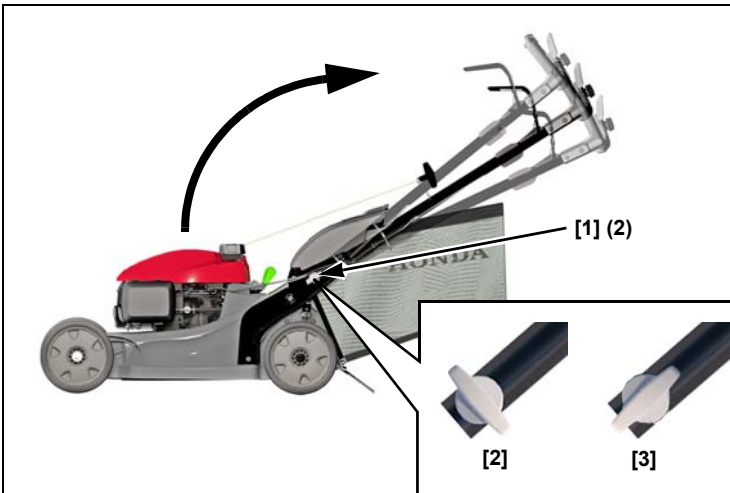
INSTALACIÓN

DESEMPACADO

Retire todos los cartones que envuelven el manillar.

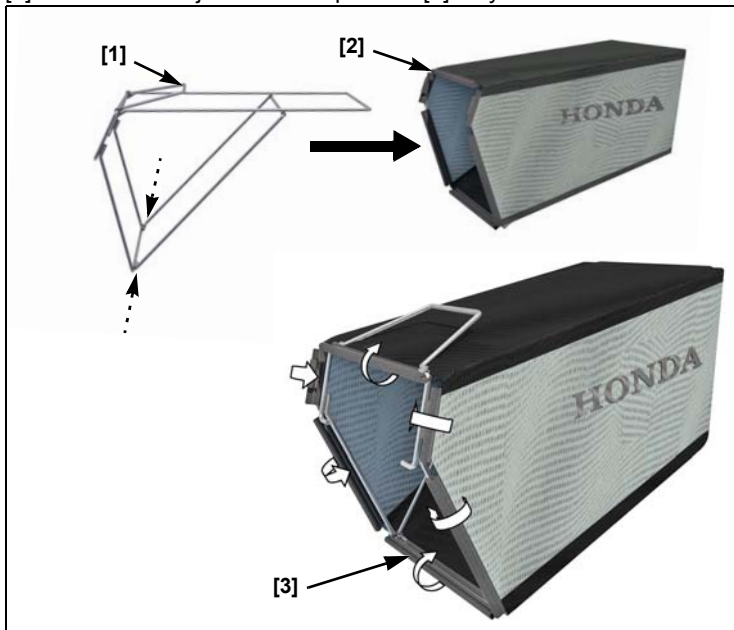
INSTALACIÓN DEL MANILLAR

1. Gire las perillas de ajuste del manillar [1] 90 grados a la posición desbloqueada [2].
2. Mueva el manillar hacia arriba o hacia abajo, de forma que los pasadores de ubicación estén alineados con los agujeros altos, medios o bajos de las abrazaderas de montaje del manillar.
3. Gire 90 grados las perillas de ajuste a la posición bloqueada [3] y los pasadores se ajustarán en los agujeros y se bloquearán en su sitio.

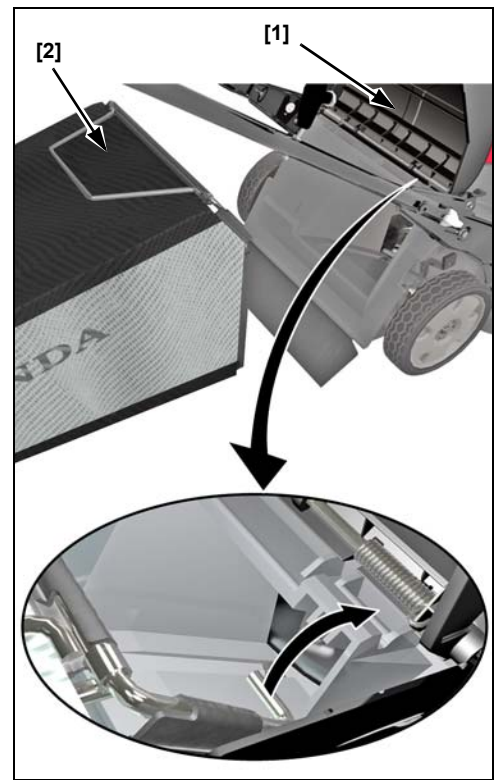


MONTAJE DEL SACO PARA CÉSPED

Deslice la estructura del saco para césped [1] en el interior del mismo [2] e instale los sujetadores de plástico [3] tal y como se muestra.



Alce el protector de descarga [4] e instale el saco para césped.



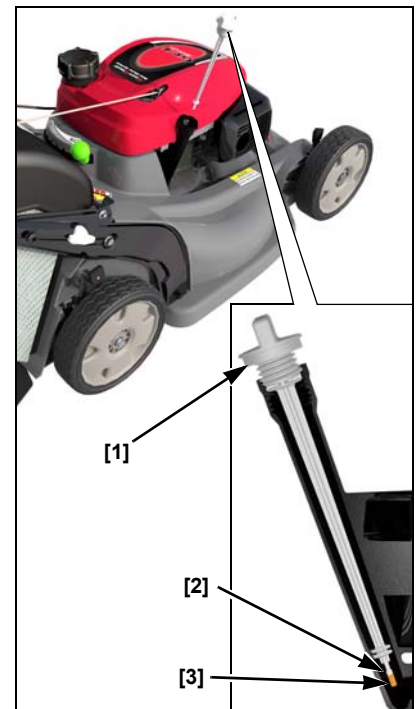
ACEITE DEL MOTOR

El cortacéspedes se envía **SIN ACEITE** en el motor.

Añada suficiente aceite tipo SAE 10W-30 API de categoría de servicio SJ hasta que el nivel del aceite [1] se encuentre entre las marcas de límite superior [2] e inferior [3] en la varilla medidora, tal y como se muestra.

Cantidad de relleno:
0,35 ~ 0,40 litros

No rebose el motor con aceite. Si se rebose el motor, el exceso de aceite puede transferirse a la carcasa de limpieza de aire y al filtro del aire.



COMBUSTIBLE

Consulte la página 7.

ANTES DE USAR EL CORTACÉSPEDES

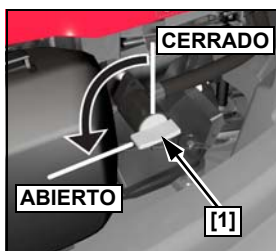
Antes de usar el cortacéspedes, toda persona que vaya a operar la máquina deberá leer los siguientes capítulos:

- **INSTRUCCIONES DE SEGURIDAD** (página 2)
- **MANDOS** (página 5)
- **INSPECCIONES ANTES DE LA OPERACIÓN** (página 6)
- **OPERACIÓN** (página 9)
- **PROGRAMA DE MANTENIMIENTO** (página 13)

MANDOS

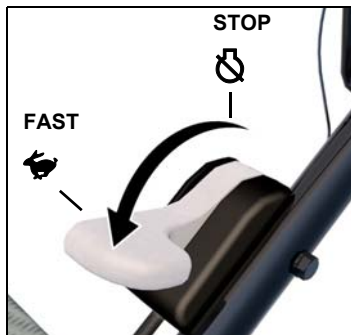
VÁLVULA DE COMBUSTIBLE

La válvula de combustible [1] abre y cierra la conexión entre el depósito de combustible y el carburador.



PALANCA DEL ACELERADOR

Para obtener la mejor calidad de corte, la palanca del acelerador debe estar siempre en posición FAST (RÁPIDO). Cuando el medio de corte gira a la velocidad rápida predefinida crea una potente acción de ventilador que levanta y corta el césped con mayor eficacia.

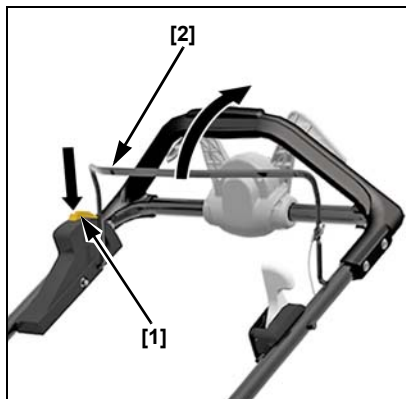


No intente aumentar la velocidad FAST del motor predefinida; el medio de corte se podría romper y desmontar.

SISTEMA DE CONTROL DEL MEDIO DE CORTE

Para que empiece a girar el medio de corte el motor debe estar en marcha y la palanca del acelerador en posición FAST.

1. Mantenga pulsado el botón Roto-Stop [1].
2. Tire de la palanca de control [2] del medio de corte rápidamente hacia el manillar dejando que el motor lleve el medio de corte hasta su máxima velocidad y después, suelte el botón Roto-Stop.

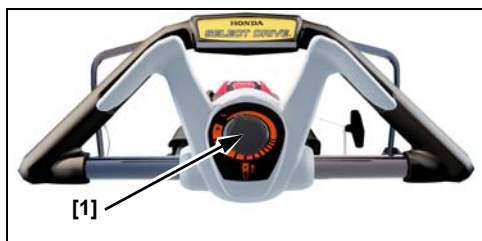


Siga manteniendo la palanca de control del medio de corte hacia el manillar para que el medio de corte siga girando. Mientras se corta el césped, mantenga siempre la palanca de control del medio de corte totalmente engranada. No la libere parcialmente; hacerlo reducirá la vida útil del sistema de embrague.

Suelte la palanca de control del medio de corte para que deje de girar. Suelte siempre la palanca de control del medio de corte antes de poner en marcha el motor para evitar que gire el medio.

CONTROL SELECT-DRIVE

Con el motor en funcionamiento y el medio de corte girando, pulse lentamente el control Select Drive [1] para impulsar hacia delante el cortacésped.



En una operación normal, usted coloca las manos con comodidad alrededor del manillar y del control Select Drive. Empuje el control Select Drive con el pulgar dentro de la indentación para generar mayor potencia (para subir una colina o avanzar a través de césped grueso).

La velocidad de avance se puede reducir soltando parcialmente el control Select Drive.

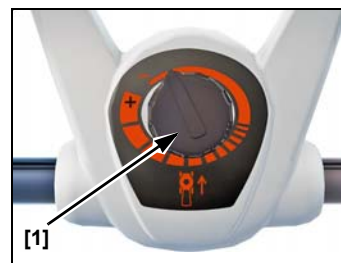
La velocidad de avance varía según el terreno, la altura del césped, el desnivel y el peso de la bolsa de recogida. Moviendo la perilla Select Drive o variando la posición del control Select Drive se puede mantener la velocidad de avance deseada cuando las condiciones de corte cambien constantemente.

Suelte el control Select Drive para desengranar (parar) las ruedas traseras.

Desacople la transmisión cuando corte alrededor de árboles y otros obstáculos. Empuje el cortacésped alrededor del obstáculo para tener un mejor control direccional.

Ajuste de la perilla del control Select Drive

La perilla de control Select Drive [1] le permite ajustar la velocidad máxima de avance cuando la palanca Select Drive está totalmente engranada.



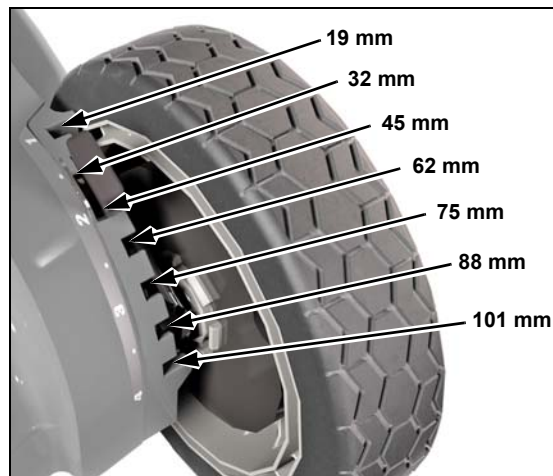
El ajuste es desde MIN a MAX. Con la palanca Select Drive totalmente engranada:

MIN impulsará el cortacésped a su velocidad más lenta.

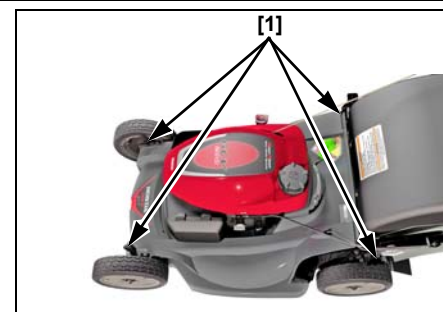
MAX impulsará el cortacésped a su velocidad más rápida.

PALANCAS DE AJUSTE DE LA ALTURA DE CORTE

Existen seis posiciones de ajuste. Los valores de las alturas de corte son aproximados. La altura real del corte variará según el césped y las condiciones del terreno.



Existe una palanca de ajuste [1] en cada rueda.



PERILLA DEL DIRECTOR DE CORTE

La perilla del director de corte [1] controla el suministro al saco de césped, la trituración y la descarga posterior. La perilla cuenta con diez posiciones de ajuste.



INSPECCIONES ANTES DE LA OPERACIÓN

¿ESTÁ USTED LISTO(A) PARA CORTAR EL CÉSPED?

Asegúrese de usar ropa protectora. Los pantalones largos y las gafas de seguridad pueden reducir el riesgo de lesiones causadas por los objetos lanzados al aire. Use calzado que proteja sus pies y que no permita que resbale mientras corta el césped en lugares con pendientes o en terrenos accidentados.

INSPECCIONE SU CÉSPED

Para su propia seguridad y para la seguridad de otros, inspeccione siempre el área antes de cortar el césped.

Objetos

Cualquier objeto que pueda ser recogido por la(s) cuchilla(s) y lanzado al aire es un peligro potencial para usted y los demás. Determine la existencia de objetos tales como piedras, palos, huesos y alambre. Retírelos del área de corte.

Personas y mascotas

Las personas y los animales que se encuentren cerca del área de corte pueden interponerse en su paso o colocarse en una posición en la cual podrían ser alcanzados por los objetos lanzados por el cortacéspedes. Despeje el área de personas, mascotas y especialmente niños. La seguridad de ellos es su responsabilidad.

Césped

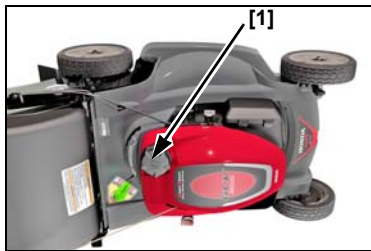
Verifique la altura y condición del césped, de tal manera que le permita conocer la altura de corte y la velocidad de siega necesaria.

Evite segar la hierba húmeda. La hierba húmeda no solamente obstruirá el bastidor de su cortacéspedes, sino que también se acumulará en promontorios sobre el césped; además le brindará muy poca tracción, lo cual aumentará su riesgo de perder el equilibrio.

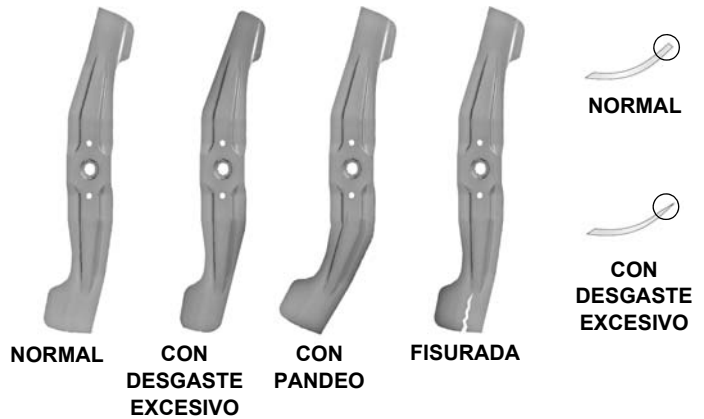
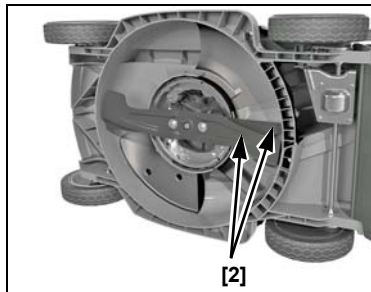
INSPECCIONE SU CORTACÉSPEDES

Cuchillas

1. Mueva la palanca del acelerador hasta la posición de PARADA (página 5).
2. Mueva la válvula de combustible hasta la posición de CERRADO (página 5).
3. Desconecte el capuchón de la bujía (página 14).
4. Incline la cortadora hacia la derecha de forma que el tapón del combustible [1] quede hacia arriba. Esto evitará fugas del combustible, filtraciones del aceite del motor en el filtro de aire y evitará la necesidad de arranques con fuentes externas.
5. Inspeccione las hojas [1] por posibles daños, grietas y oxidación o corrosión excesiva.



Una cuchilla sin filo puede volver a afilarse, pero una cuchilla que esté gastada, doblada, fisurada o dañada de alguna otra manera, debe ser sustituida. Una cuchilla gastada o dañada puede romperse, causando que los fragmentos de la cuchilla sean lanzados desde el cortacéspedes.



⚠ ADVERTENCIA

Una cuchilla gastada, fisurada o dañada se puede romper, y los fragmentos de la cuchilla dañada pueden convertirse en proyectiles peligrosos.

Los objetos lanzados pueden causar lesiones graves.

Inspeccione regularmente la cuchilla, y no opere el cortacéspedes cuando una cuchilla esté gastada o dañada.

Cuando una cuchilla necesita afilado o cambio, lleve su cortacéspedes a un distribuidor autorizado de Honda. Sin embargo, si usted posee una llave dinamométrica, usted puede retirar e instalar la nueva cuchilla o cuchillas, usted mismo.

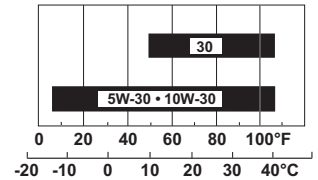
Verifique que los pernos de la cuchilla estén apretados (página 15).

Nivel de aceite del motor

Inspeccione el nivel de aceite del motor cuando el motor esté apagado y el cortacéspedes se encuentre sobre una superficie a nivel.

Use aceite para motores de 4 tiempos que cumpla o exceda los requisitos para la clasificación API de servicio SJ o equivalente. Siempre revise si la etiqueta de servicio API sobre el envase del aceite incluye las letras SJ o equivalente.

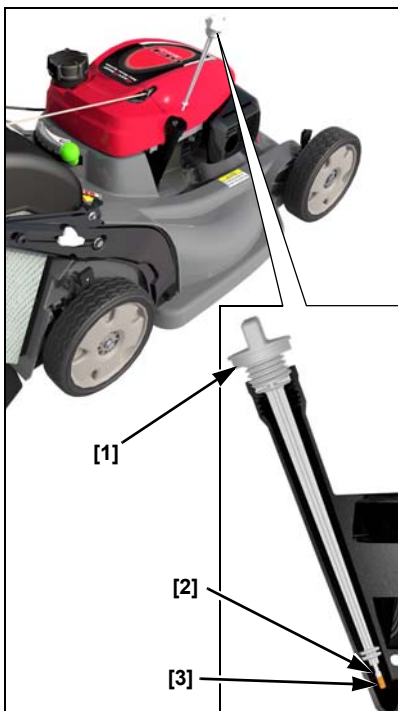
El aceite SAE 10W-30 se recomienda para uso general. Otras viscosidades como las que se muestran en la tabla más adelante pueden utilizarse cuando la temperatura media en su área se encuentre dentro de la gama de temperaturas que se indica más adelante.



AVISO

- Operar el motor con un nivel bajo de aceite puede causar daños al motor.
- El uso de un aceite sin detergentes puede acortar la vida de servicio del motor; asimismo, el uso de aceite para motores de 2 tiempos puede dañar el motor.

1. Remueva el tapón/medidor de nivel del depósito de aceite [1], y limpie el medidor de nivel.
2. Introduzca el medidor de nivel en el cuello de llenado. No lo enrosque. Verifique el nivel de aceite que queda en la varilla.
3. Si el nivel del aceite está cerca de la marca de nivel mínimo [3], añada el aceite recomendado para llevar el nivel hasta la marca del límite superior [2]. No lo llene demasiado.
4. Instale y apriete firmemente el tapón/medidor de nivel del depósito de aceite [1].



Combustible

Este motor está homologado para utilizar gasolina sin plomo con un octanaje de 91 o superior.

Se recomienda llenar el tanque después de cada uso para minimizar el aire presente en el tanque de la gasolina.

Nunca recargue el combustible del cortacéspedes cuando se encuentre en el interior de un edificio donde los vapores de la gasolina puedan alcanzar llamas o chispas. Mantenga la gasolina alejada de las llamas piloto de los electrodomésticos, barbacoas, artefactos eléctricos, herramientas eléctricas, etc.

Puede usar gasolina ordinaria sin plomo que no contenga más del 10% de etanol (E10) o del 5% de metanol por volumen. Asimismo, el metanol debe contener cosolventes e inhibidores de corrosión. El uso de combustibles con un contenido de metanol superior al mostrado anteriormente puede ocasionar problemas de arranque o de funcionamiento. También puede dañar las piezas de metal, goma y plástico del sistema de combustible. Además, el etanol es higroscópico, lo que significa que atrae y retiene agua en el sistema de combustible. El daño al motor o los problemas de funcionamiento que resulten del uso de un combustible con porcentajes de etanol o metanol superiores a los mostrados anteriormente no están cubiertos por la garantía.

Si va a usar el equipo de forma intermitente o sólo ocasionalmente, (más de 4 semanas entre cada uso) consulte la sección de "Combustible" del capítulo ALMACENAMIENTO (página 17) para obtener más información sobre el deterioro del combustible.

⚠ ADVERTENCIA

La gasolina es altamente inflamable y explosiva.

Usted puede recibir quemaduras o sufrir lesiones graves durante la manipulación del combustible.

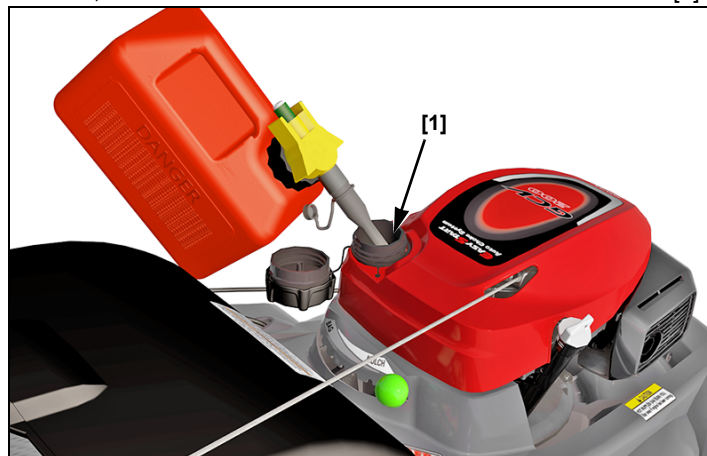
- Apague el motor y mantenga alejadas las fuentes de calor, chispas y llamas.
- Manipule el combustible solamente en áreas al aire libre.
- Limpie los derrames inmediatamente.

El derrame de combustible no solamente es un riesgo de incendio sino además causa un daño ecológico. Limpie los derrames inmediatamente.

AVISO

El combustible puede dañar la pintura y el plástico. Cuide de no derramar combustible cuando efectúa la recarga del tanque de combustible. El daño causado por el derrame de combustible no está cubierto bajo la garantía.

Retire el tapón del tanque y verifique el nivel de combustible. Recargue el tanque si el nivel de combustible es bajo. Recargue el combustible cuidadosamente para evitar derrames. No lo llene demasiado; no debería haber combustible en el cuello de llenado [1].



Después de recargar el combustible, apriete firmemente el tapón del tanque de combustible

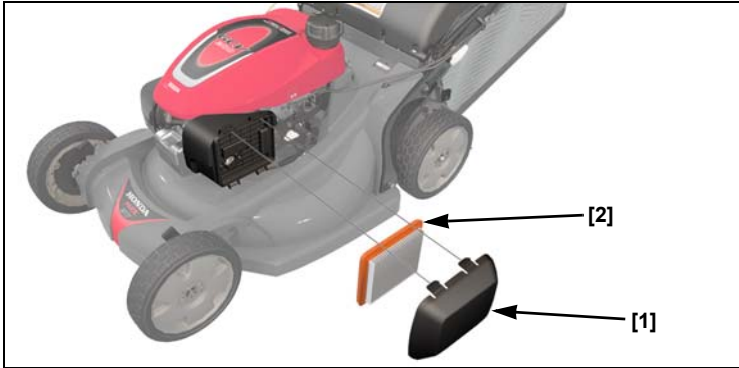
Antes de arrancar el motor, aleje la cortadora de césped a al menos 3 metros de la fuente de la gasolina.

Recipiente de Almacenamiento de Combustible

Almacene la gasolina en un recipiente de plástico limpio y sellado, aprobado para el almacenamiento de combustible. Cierre la ventilación (si está incluida en el equipo) cuando no esté en uso y guarde el recipiente fuera de la luz solar directa. Si el combustible del recipiente demora más de 3 meses en consumirse, le sugerimos que agregue un estabilizador al combustible cuando llene el recipiente.

Inspección del filtro de aire

Quite la tapa [1]. Asegúrese de que el filtro [2] está limpio y en buen estado. Un filtro de aire sucio limita el flujo de aire al carburador y reduce el rendimiento del motor. Vea la página 13 para el servicio del filtro de aire.



Ajuste de la altura del manillar

Ajuste la altura del manillar hasta lograr una posición de uso cómoda (página 4).

Saco para césped

Un cortacésped trabaja de igual forma que una aspiradora; ventila aire a través del saco, el cual a su vez atrapa la hierba cortada. Vacíe siempre el saco para césped antes de que se llene hasta el límite de su capacidad. El rendimiento del saco para céspedes disminuirá después de que se llene al 90% de su capacidad. Además, el saco es más fácil de vaciar cuando no está completamente lleno.

Inspección

Durante el uso normal, el material de la bolsa para césped está sometido al deterioro y desgaste.

AVISO

El saco para césped se desgasta durante el uso normal y eventualmente será necesario cambiarlo.

Si es necesario cambiar el saco para césped, usted puede retirar el saco gastado e instalar un saco nuevo usted mismo (página 16).

Instalación

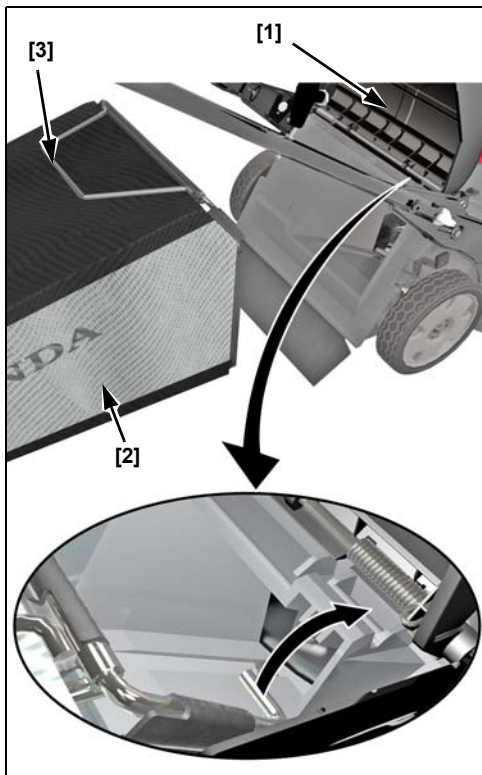
1. Levante el protector de la descarga [1], use el mango del saco para césped [3] y enganche el saco para césped [2] en el bastidor del cortacésped en la forma mostrada.

2. Suelte el protector de la descarga para sujetar el saco para césped.

Remoción

1. Levante el protector de la descarga, agarre el mango del saco para césped y retire el saco para césped.

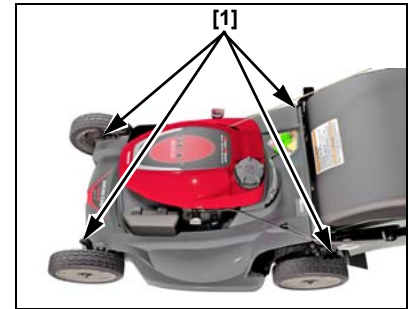
2. Suelte el protector de la descarga.



3. Cuando el saco para césped haya despejado el protector de la descarga, se puede levantar a través de la abertura del manillar o se puede retirar en dirección hacia atrás del cortacésped por debajo del manillar.

Altura de corte

Inspeccione los ajustes de altura de corte del bastidor del cortacésped, y asegúrese que todas las cuatro palancas de ajuste [1] estén colocadas en la misma posición de altura de corte.



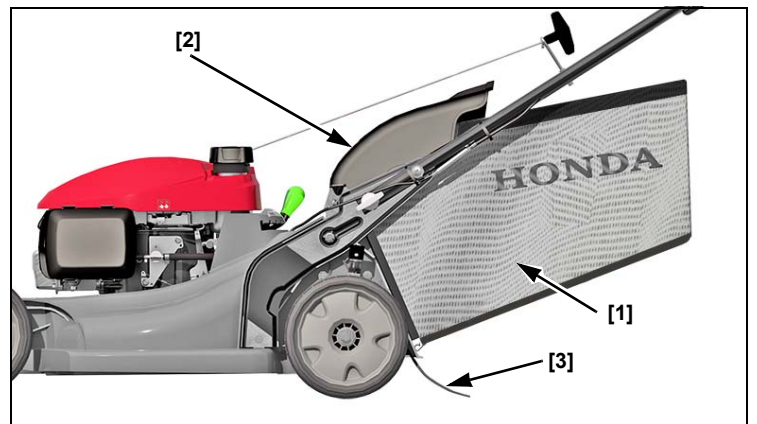
Para ajustar la altura de corte, tire de cada palanca de ajuste [1] en dirección hacia la rueda, y muévela hasta otra muesca.

Si existe duda acerca de la altura de corte que se debe seleccionar, comience desde la posición más alta y verifique el aspecto del césped

después de segar una pequeña área. Luego reajuste la altura de corte si lo considera necesario.

Cubierta posterior

Durante un uso normal, la cubierta posterior [3] tiende a sufrir un cierto desgaste y deterioro. Retire el contenedor de hierba [1] y levante la protección de la zona de descarga [2] para verificar si hay alguna fisura o rotura en la cubierta. Si observa un fuerte deterioro, acuda a su taller de reparación autorizado de Honda para cambiar la cubierta.

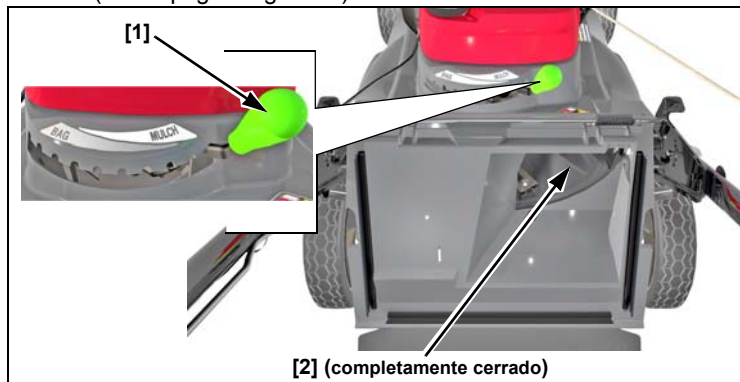


Dirección del corte

Ajuste de la perilla del director del corte

Ajuste la perilla del director del corte [1] en una de las diez posiciones para conseguir los resultados de corte de césped deseados.

Para ajustar la perilla del director del corte, tire de la perilla hacia abajo y hacia la parte posterior del cortacéspedes. La perilla ajusta una puerta deslizante [2] desde la posición de BAG (saco) completamente abierta hasta la posición de MULCH (trituración) completamente cerrada (vea la página siguiente).



Si se siente una fuerte resistencia al tratar de mover la perilla del director del corte de lado a lado, es posible que se haya acumulado un exceso de hierba en la parte superior de la puerta deslizante.

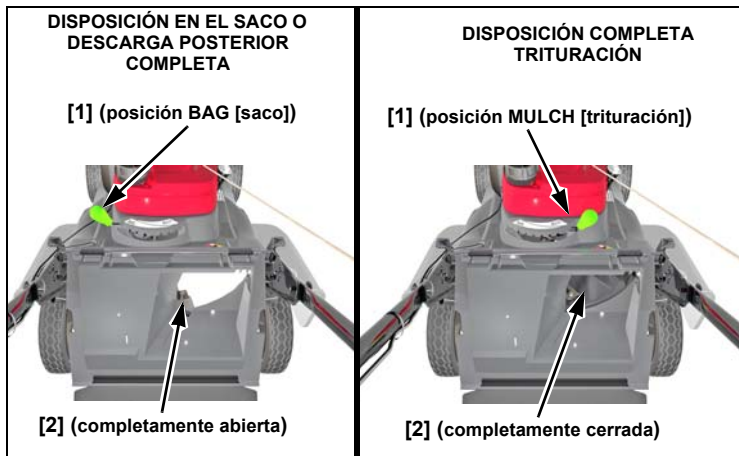
La acumulación de cierta cantidad de hierba en la abertura de descarga es normal cuando el director del corte está completamente cerrado. Para eliminar esta hierba, cierre la protección de descarga, abra completamente el director del corte, ponga en marcha el motor y accione varias veces la palanca de control de la cuchilla.

Importante Precaución De Seguridad

Apague siempre el motor y desconecte el capuchón de la bujía antes de alzar el protector de la descarga cuando quiera ver o limpiar en las inmediaciones de la puerta deslizante. Esto prevendrá el contacto con las cuchillas giratorias y evitará que entren objetos en el área de descarga.

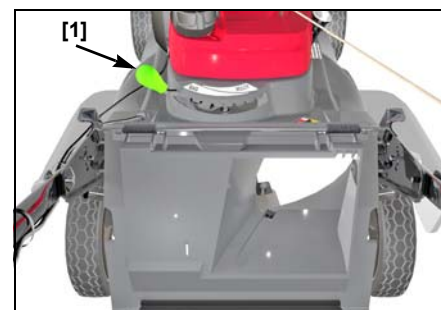
Posición de la puerta deslizante

La puerta deslizante [2] puede posicionarse para producir diferentes resultados en el corte de la hierba. Si se desconoce la posición deseada de la puerta deslizante, instale un saco para césped y comience a cortar el césped con la perilla del director del corte [1] completamente hacia la posición de BAG (saco). Compruebe el aspecto del terreno. Cuanto más se desplace la perilla hacia la posición de MULCH (trituración), más hierba será reciclada en el terreno. Ajuste la perilla del director del corte hasta que se consiga el resultado deseado.



Descarga posterior

Para descargar cortes a la parte posterior, retire el saco para césped y sitúe la perilla del director de corte [1] en el rango de BAG (saco).



La descarga posterior máxima ocurrirá cuando la perilla del director de corte se encuentre completamente hacia la posición izquierda (BAG [saco]). Al moverse la perilla del director de corte hacia la posición derecha (MULCH [trituración]), menos hierba será descargada a través del protector de descarga posterior.



OPERACIÓN

PRECAUCIONES AL CORTAR EL CÉSPED

Antes de operar el cortacéspedes por primera vez, por favor estudie los *INSTRUCCIONES DE SEGURIDAD* (página 2) y *INSPECCIONES ANTES DE LA OPERACIÓN* (página 6).

Tómese el tiempo necesario para familiarizarse con la forma en que este cortacéspedes trabaja y practique en una área segura hasta adquirir su propia destreza en el manejo, aún si usted ha operado anteriormente otros equipos cortacéspedes.

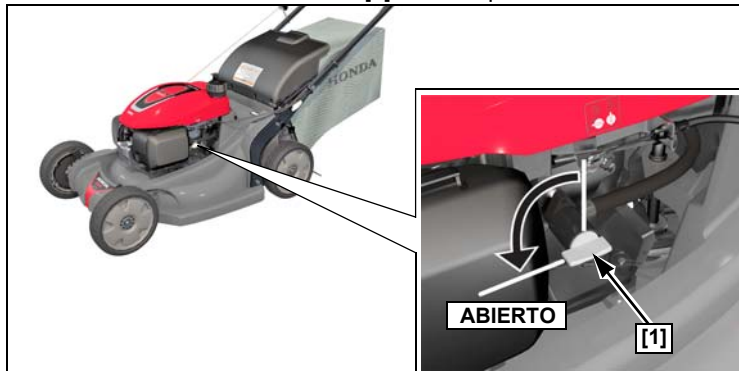
Para su propia seguridad, evite encender u operar el motor en un área cerrada tal como un garaje. Los vapores del escape de su cortacéspedes contienen monóxido de carbono venenoso, el cual se puede concentrar rápidamente en un área cerrada y causar malestar o incluso la muerte.

FRECUENCIA DE USO

Si va a usar el equipo de forma intermitente o sólo ocasionalmente, (más de 4 semanas entre cada uso) consulte la sección de "Combustible" del capítulo ALMACENAMIENTO (página 17) para obtener más información sobre el deterioro del combustible.

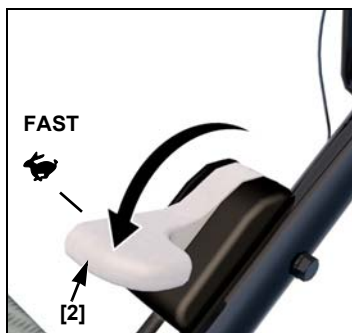
ENCENDIDO DEL MOTOR

1. Gire la válvula de combustible [1] hasta la posición de ABIERTO.



2. Desplace la palanca del acelerador [2] hasta la posición rápida (↻).

3. Tire del lanzador ligeramente hasta que sienta alguna resistencia, luego tire enérgicamente del mismo. Permita que el lanzador retorne lentamente a su posición original.



Para evitar que la(s) cuchilla(s) gire(n) y para evitar el movimiento del cortacésped hacia adelante, siempre suelte la palanca de mando de la cuchillas [2] y la palanca del embrague de avance [3] antes de tirar del lanzador.

4. Coloque la palanca del acelerador [1] en la posición rápida (↻) para iniciar el corte del césped o hasta la posición de lento (↻) si desea que el motor marche a velocidad en vacío.

Para asegurar un reencendido fácil y el máximo rendimiento del Auto Choke System, después de encender un motor frío, permita que el motor funcione durante un lapso mínimo de tres minutos antes de apagarlo. Este tiempo mínimo de funcionamiento será más largo si la temperatura es inferior a 21 °C.

Operación en zonas de altitud elevada

En una zona de altitud elevada, la mezcla estándar gasolina-aire del carburador resultará ser demasiado rica. El rendimiento disminuirá y el consumo de combustible aumentará. Una mezcla muy rica dañará además la bujía y causará dificultades durante el encendido.

El rendimiento en zonas de altitud elevada puede mejorarse mediante modificaciones específicas efectuadas al carburador. Si usted siempre opera su cortacésped en altitudes superiores a los 1 500 metros sobre el nivel del mar, se recomienda lleve su unidad a su distribuidor Honda para que éste realice las modificaciones necesarias en el carburador.

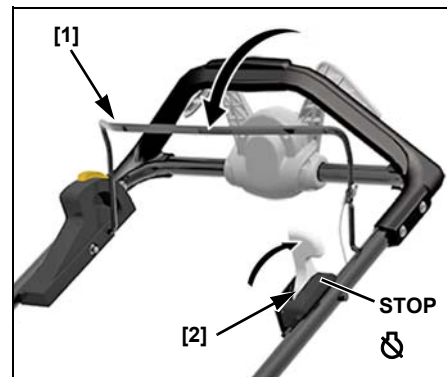
Incluso con el carburador modificado adecuadamente, la potencia del motor disminuirá aproximadamente en un 3,5 % por cada 300 metros de aumento en altitud. Sin embargo, si no se efectúan estas modificaciones al carburador, la incidencia de la altitud sobre la potencia será mucho mayor.

AVISO

Cuando el carburador ha sido modificado para funcionar a altitudes elevadas, la mezcla aire-gasolina podrá ser muy pobre para su utilización en altitudes bajas. La operación en lugares con altitudes menores a los 1 500 metros sobre el nivel del mar con un carburador modificado causará que el motor se caliente excesivamente y podrían ocasionarse serios daños al motor. Para el uso a bajas altitudes, permita que su distribuidor autorizado de Honda ajuste nuevamente el carburador a las especificaciones originales de fábrica.

APAGADO DEL MOTOR

1. Suelte la palanca de mando de la cuchilla [1].
2. Mueva la palanca del acelerador [2] a la posición de STOP (⊘).



3. Cuando el cortacésped no esté en uso, gire la válvula de combustible [3] hasta la posición de CERRADO.



4. Si el equipo (la cortadora de césped) no se utilizará durante 3 ó 4 semanas, recomendamos agotar el combustible del carburador del motor. Puede hacerlo dejando la válvula de combustible apagada ("OFF"), encendiendo nuevamente el motor y agotando el combustible (See "Almacenamiento" on page 17.) para períodos de inactividad que superen las 4 semanas.

PRÁCTICAS DE SEGURIDAD PARA CORTAR EL CÉSPED

Para su propia seguridad, mantenga todas las cuatro ruedas de la unidad sobre el terreno, y tenga cuidado de no perder el equilibrio y el control sobre el cortacésped. Sujete con firmeza el manillar y camine, nunca corra con el cortacésped. Sea muy cuidadoso cuando corte césped sobre terrenos irregulares o accidentados.

Si la unidad se atasca, no pateo ni empuje el cortacésped con su pie. Use el manillar para controlar el cortacésped.

⚠ PELIGRO

Los medios de corte están afilados y giran a gran velocidad. Si usted entra en contacto con un medio de corte de hilado, se cortará severamente y puede amputar los dedos de manos y pies.

- Use calzado de protección.
- Mantenga sus manos y pies alejados del bastidor del cortacésped mientras el motor se encuentra en marcha.
- Detenga la marcha del motor antes de llevar a cabo cualquier ajuste, inspección o tarea de mantenimiento en la unidad.

Pendientes

Para cortar el césped sobre las pendientes, no lo haga en forma ascendente ni descendente, sino transversal. Evite las pendientes demasiado inclinadas (más de 20°), y tenga cuidado al cambiar de dirección. El corte del césped sobre una pendiente cuando la hierba está mojada o húmeda podría causar que usted resbale, caiga y pierda el control sobre el cortacésped.



Obstáculos

Use el costado del cortacéspedes para efectuar el corte cerca de obstáculos grandes, tales como cercas o paredes.

Suelte la palanca de embrague del avance para desenganchar el sistema de propulsión cuando corte césped alrededor de árboles y otros obstáculos. Empuje el cortacéspedes alrededor de los obstáculos para obtener un mejor control direccional. Tenga cuidado al cortar el césped sobre obstáculos enterrados en el césped, tales como cabezas de aspersión, pavimentos, bordes, etc. Evite pasar sobre cualquier objeto que sobresalga por encima de la superficie del césped.

Si la cuchilla golpea algún objeto, o si el cortacéspedes comienza a vibrar, detenga la marcha del motor inmediatamente e inspeccione para comprobar si hay algún daño. Golpear objetos extraños puede dañar la cuchilla, doblar el árbol de levas y/o romper el bastidor del cortacéspedes u otros componentes. La vibración generalmente es un indicio de problemas serios.

⚠ ADVERTENCIA

Una cuchilla gastada, fisurada o dañada se puede romper, y los fragmentos de la cuchilla dañada pueden convertirse en proyectiles peligrosos.

Los objetos lanzados pueden causar lesiones graves.

Inspeccione regularmente la cuchilla, y no opere el cortacéspedes cuando una cuchilla esté gastada o dañada.

La garantía no cubre las piezas dañadas por accidente o colisión.

Grava y objetos sueltos

La grava, las piedras sueltas y el material de jardinería pueden ser recogidos por el cortacéspedes y ser lanzado a muchos pies de distancia con suficiente fuerza como para causar lesiones personales graves y/o daño a la propiedad. La mejor manera de prevenir lesiones potenciales por causa de objetos lanzados por la unidad, es la de soltar la palanca de mando de la cuchilla para detener el movimiento de la cuchilla antes de alcanzar las áreas con grava, piedras sueltas o material de jardinería.

CONSEJOS PARA EL CORTE

Cuándo cortar el césped

La mayoría de céspedes deberían cortarse cuando alcanzan una altura de 12~25 mm por encima de su altura recomendada.

La frecuencia de corte requerida para el triturado/abono es mayor que la requerida para el embolsado. Para obtener los mejores resultados, corte el césped dos veces a la semana durante la temporada de crecimiento.

Altura de corte

Consulte a un vivero o centro local de jardinería acerca de las alturas de corte recomendadas y para obtener consejo acerca de los tipos específicos de céspedes, así como sobre las condiciones de crecimiento en su zona.

Si observa el césped con detenimiento, verá que la mayoría de céspedes tienen tallos y hojas. Si usted corta las hojas estará trasquilando el césped. Deje que el césped se recupere antes de volver a cortarlo. Su cortacéspedes funcionará mejor y su césped lucirá mejor.

Si su césped está demasiado crecido, córtelo primero a la altura de corte más alta, y luego córtelo nuevamente 2 ó 3 días después. No



LONGITUD ADECUADA



DEMASIADO CORTO

corte más de un tercio de la altura total del césped cada vez, para evitar que se desarrollen zonas pajizas

Las palancas de ajuste de la altura de corte están explicadas en el capítulo de los MANDOS (página 5).

Anchura de corte

Para que el césped tenga una apariencia uniforme, traslape cada paso de corte al menos unas cuantas pulgadas sobre el paso anterior. Si el césped está demasiado crecido o muy tupido, use un traslape mayor y una ringlera de corte más angosta.

Velocidad de la cuchilla

La cuchilla debe girar muy rápidamente para cortar adecuadamente. Siempre coloque la palanca del acelerador en la posición rápida, y mantenga el motor en marcha al máximo de rpm.

Si la velocidad del motor disminuye, esto podría significar que el motor está siendo sobrecargado por la cuchilla al tratar de cortar demasiado césped. Corte una ringlera más angosta, mueva más lentamente el cortacéspedes, o eleve la altura del corte.

Filo de la cuchilla

Una cuchilla filosa corta nítidamente. Una cuchilla sin filo arranca el césped, dejando las puntas hechas girones que se volverán pajizas. Cuando su cuchilla no corte nítidamente, ésta deberá afilarse o cambiarse.

Césped seco

Si el terreno está demasiado seco, el cortacéspedes levantará una gran cantidad de polvo. Además de ser un fastidio para trabajar, el exceso de polvo obstruirá el filtro de aire del carburador.

Si el polvo constituye un problema, riegue agua sobre su césped un día antes de cortarlo. Efectúe el corte cuando el césped se encuentre seco al tacto, pero el suelo todavía esté húmedo.

Césped húmedo

El césped húmedo es resbaloso y puede causar la pérdida del equilibrio. Además, el césped húmedo recortado atorará el bastidor del cortacéspedes y se acumulará en promontorios sobre el césped. Espere siempre a que el césped húmedo se seque antes de cortarlo.

Hojas caídas

Su cortacéspedes puede utilizarse para recoger las hojas caídas para su eliminación. Si se va a utilizar la máquina para disponer en bolsas grandes cantidades de hojas caídas y no para cortar el césped, disponga las palancas de ajuste de la altura de la cuchilla de forma que la parte frontal del bastidor de la máquina quede dos niveles por encima de la parte posterior. Para comenzar, ponga la perilla del director de corte en la posición 9 (disposición trituración casi completa). Este ajuste permitirá que las hojas sean recirculadas y que se vuelvan a cortar hasta que las partículas sean lo suficientemente pequeñas para pasar a través de la abertura de la puerta deslizante y al interior del saco para césped. Dependiendo del tamaño, el tipo y el contenido de agua de las hojas, podría ser necesario para abrir la puerta deslizante para conseguir el mejor embolsado posible. El uso correcto de la puerta deslizante hará que el llenado del saco para césped resulte en menos vaciados del mismo. Verifique que no haya obstáculos, especialmente rocas escondidas bajo las hojas.

Si desea convertir en abono orgánico las hojas caídas en el terreno, antes de comenzar, no deje que profundice demasiado la cubierta de hojas. Para conseguir un mejor resultado, comience la trituración cuando el césped todavía se vea a través de la cubierta de hojas. En lugares donde las hojas caídas cubran completamente la hierba, retire las hojas con un rastrillo o use el saco para césped para que la máquina cortacéspedes las recoja para su eliminación. Ponga la perilla del director de corte en la posición MULCH (trituración).

Atoramiento del bastidor del cortacéspedes

Antes de desatascar un bastidor de cortacéspedes atorado, apague el motor y gire la válvula de combustible hasta la posición de

CERRADO. Desconecte el capuchón de la bujía antes de colocar el cortacésped sobre un costado de tal manera que el carburador quede en la parte superior.

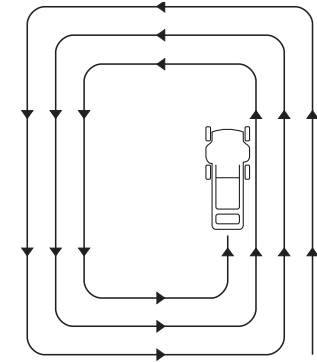
Desatore un bastidor atorado con la ayuda de una vara, no con sus manos.

Patrones de corte

Su cortacésped Honda funcionará más eficientemente si usa los siguientes patrones de corte tanto como sea posible. El diseño del bastidor y el equipo del cortacésped y la dirección de giro de las cuchillas determinan que estos patrones de corte rindan los mejores resultados.

Trituración

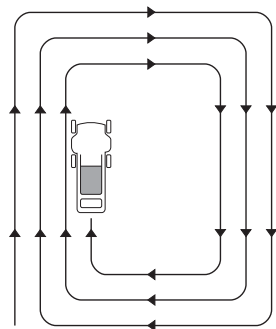
Utilice un movimiento de avance del cortacésped en sentido contrario a las agujas del reloj con la perilla del director de corte en la posición completa de MULCH (trituration). Si el terreno tiene una forma irregular, o muchos obstáculos, divídalo en secciones de forma que se puedan utilizar las pautas de avance de la máquina en sentido opuesto a las agujas del reloj.



PATRÓN PARA TRITURACIÓN

Disposición en el saco

Utilice una pauta de movimiento de la máquina en el sentido de las agujas del reloj. Esto hará que el funcionamiento del director de corte y la disposición en el saco sean los ideales, dejando una cantidad de cortes mínima en el terreno.



PAUTA PARA DISPOSICIÓN EN EL SACO Y DESCARGA POSTERIOR

Cortado de césped con descarga posterior

Retire el saco para hierba y cierre el protector de descarga. Ajuste la perilla del director de corte en la posición deseada y comience el cortado de césped con un avance en el sentido de las agujas del reloj. Si el terreno tiene una forma irregular, o si hay muchos obstáculos, divídalo en secciones.

MANTENIMIENTO

LA IMPORTANCIA DEL MANTENIMIENTO

El buen mantenimiento es esencial para una operación segura, económica y sin problemas. Ello también ayudará a reducir la contaminación del aire.

Para ayudarle a proporcionar un cuidado adecuado a su cortacésped, las siguientes páginas incluyen un programa de mantenimiento, procedimientos sistemáticos de inspección y procedimientos de mantenimiento simples que utilizan solamente herramientas manuales básicas. Otras tareas de mantenimiento que son más difíciles de realizar, o requieren de herramientas especiales, son mejor manejadas por profesionales y son normalmente realizadas por un técnico de servicio de Honda, o por cualquier otro mecánico calificado.

El programa de mantenimiento se aplica a las condiciones normales de operación. Si usted usa su cortacésped bajo condiciones anormales de operación, consulte con su distribuidor autorizado de Honda acerca de las recomendaciones aplicables a sus necesidades y condiciones de uso particulares.

Recuerde que su distribuidor Honda es quien mejor conoce su cortacésped y está completamente equipado para brindarle el servicio de mantenimiento y reparación a su unidad.

Para asegurar la mejor calidad y confiabilidad, use solamente repuestos nuevos y genuinos Honda o sus equivalentes para las reparaciones y cambios.

⚠ ADVERTENCIA

El mantenimiento inadecuado, o un problema no corregido antes de la operación pueden producir un mal funcionamiento, en cuyo caso usted podría sufrir lesiones graves o incluso mortales.

Siga siempre las recomendaciones de inspección y mantenimiento, así como los programas contenidos en este manual del propietario.

Seguridad En El Mantenimiento

Algunas de las precauciones de seguridad más importantes se mencionan a continuación. Sin embargo, no podemos advertirle de todos los peligros concebibles que podrían surgir durante la ejecución de la labores de mantenimiento. Solamente usted puede decidir si debería realizar o no, una tarea específica.

⚠ ADVERTENCIA

El no seguir adecuadamente las instrucciones y precauciones de mantenimiento puede ser la causa de lesiones graves o incluso mortales.

Siga siempre los procedimientos y precauciones contenidos en este manual del propietario.

Precauciones de seguridad

- Asegúrese que el motor esté apagado antes de comenzar cualquier labor de mantenimiento o reparaciones. Esto eliminará varios peligros potenciales:
 - Envenenamiento por monóxido de carbono expulsado por el sistema de escape del motor. Asegúrese que exista una ventilación adecuada cada vez que encienda el motor.
 - Quemaduras causadas por las piezas calientes. Deje que el motor y el sistema de escape se enfríen antes de tocarlos.
 - Lesiones causadas por las piezas en movimiento. No encienda el motor a menos que se le indique hacerlo.
- Lea las instrucciones antes de comenzar, y asegúrese que tenga todas las herramientas y las habilidades requeridas.
- A efectos de reducir la posibilidad de incendio o explosión, sea cuidadoso cuando trabaje en cerca de gasolina. Use solamente disolventes no inflamables, y nunca gasolina, para limpiar las piezas de la máquina. Mantenga los cigarrillos, chispas y llamas alejados de todas las piezas en contacto con combustible.

PROGRAMA DE MANTENIMIENTO

Lleve a cabo en cada mes indicado o de acuerdo con el intervalo de horas de operación, lo que suceda primero.⁽¹⁾

Intervalo	Descripción	Página
Antes de cada uso	Cubierta posterior: Inspeccione Condición de la cuchilla Pernos de la cuchilla Saco para césped: Inspeccione Aceite del motor: Inspeccione Filtro de aire: Inspeccione Inspección del funcionamiento de la palanca del freno del volante	página 6 página 6 página 16 página 4 página 6 página 8 página 5
Primer mes ó 5 horas	Aceite del motor: Cambie Cable de Select Drive: Ajuste	página 13 página 15
Primer 25 horas	Filtro de aire: Limpie ¹ Cable de Select Drive: Ajuste Cable de Freno de volante: Ajuste ² Cable de control de la cuchilla: Ajuste ²	página 13 página 15
Cada 6 meses ó 50 horas	Aceite del motor: Cambie ¹ Filtro de aire: Limpie ¹ Cable de Select Drive: Ajuste	página 13 página 13 página 15
Anualmente ó 100 horas	6 artículos mes anterior, más: Bujía: Inspeccione-Ajuste Amortiguador de chispas: Limpie ³ (si está equipado) Freno de volante: Inspeccione Cable del acelerador: Ajuste ² Piñón engranaje: Lubrique ² Marcha en vacío: Ajuste ² Holgura de la válvula: Ajuste ² Tanque de combustible: Limpie ²	página 14 página 14 página 5
Cada 2 años ó 150 horas	Artículos anual anterior más: Filtro de aire: Cambie Bujía: Cambie Inspeccionar y grasa trasera de la rueda de ajuste del buje ²	página 13 página 14
Cada 2 años	Tubería de combustible: Cambie ²	

1. Inspeccione más frecuentemente si usa la unidad en áreas con mucho polvo.
2. Estos elementos deberían ser atendidos por un distribuidor autorizado de Honda, a menos que usted tenga las herramientas adecuadas y la capacitación mecánica necesaria. Consulte el manual de taller de Honda acerca de los procedimientos de servicio.
3. En Europa, y en otros países donde se cumple con la directiva para maquinarias 2006/42/EC, esta limpieza debe realizarla un proveedor de servicios.
Si no sigue este programa de mantenimiento, es posible que se produzcan fallos que la garantía no cubre.

MANTENIMIENTO DEL MOTOR

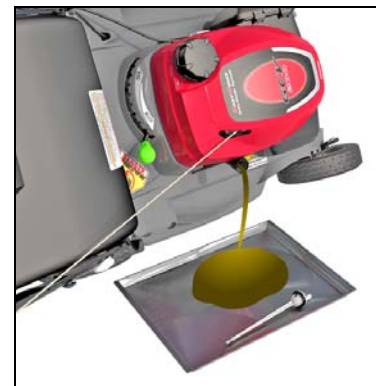
Cambio de aceite del motor

Drene el aceite mientras el motor esté caliente. El aceite caliente drena completamente con mayor facilidad.

1. Coloque la palanca del acelerador en la posición de PARADA y gire la válvula hasta la posición de CERRADO. Esto reducirá la posibilidad de que ocurran derrames de combustible (página 5).

2. Limpie completamente el área del depósito de aceite, luego retire el tapón/medidor de nivel del depósito de aceite.

3. Coloque un recipiente adecuado junto al cortacéspedes para recibir el aceite usado, luego incline la máquina sobre el costado derecho. El aceite usado drenará a través del cuello de llenado. Deje que el aceite drene completamente.



Favor de desechar el aceite usado del motor y los recipientes en una forma que sea compatible con las medidas de protección del medio ambiente. Le sugerimos además que lleve el aceite usado, en un recipiente sellado, hasta el centro local de reciclado o a una estación de servicio para el reciclado. No deseche el aceite usado junto con la basura, no lo vierta sobre el suelo ni a través de las tuberías de drenaje.

4. Llene el depósito solamente con el aceite recomendado (página 6).

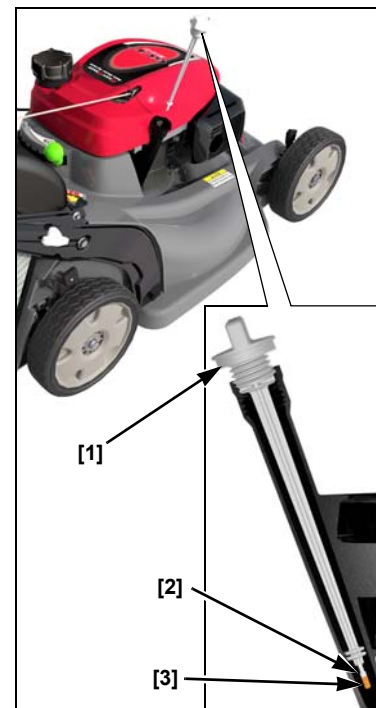
Cantidad de relleno:
0,35 ~ 0,40 litros

No lo llene demasiado. Mida el nivel de aceite en la forma que se muestra en la página siguiente.



5. Después de cambiar el aceite del motor, y antes de encender el motor, verifique el nivel de aceite cuando el cortacéspedes se encuentre sobre una superficie a nivel:

- a. Retire el tapón/medidor de nivel [1].
- b. Limpie completamente el medidor de nivel.
- c. Introduzca y retire el medidor de nivel sin enroscarlo en el cuello de llenado. Verifique la marca del nivel que muestra la varilla del medidor de nivel.



- d. Si el nivel del aceite se encuentra por debajo de la marca del nivel mínimo [3], añada aceite hasta alcanzar la marca del límite superior [2] en el medidor de nivel. No lo llene demasiado. Si el motor se llena demasiado, el exceso de aceite puede ser transferido hasta la caja del filtro y los elementos filtrantes de aire.

AVISO

Operar el motor con un nivel bajo de aceite puede causar daños al motor.

- e. Enrosque firmemente el tapón/medidor de nivel del depósito de aceite.

Mantenimiento del filtro de aire

El mantenimiento adecuado del filtro de aire ayudará a evitar que ingrese suciedad en el motor. La suciedad que ingresa en el carburador puede ser absorbida por pequeños conductos que se encuentran dentro de éste y ocasionar el desgaste prematuro del motor. Tales conductos pequeños pueden obstruirse, lo que provoca problemas de encendido o funcionamiento. Utilice siempre un filtro de aire específico para su motor, a fin de garantizar que se selle y funcione según fue diseñado.

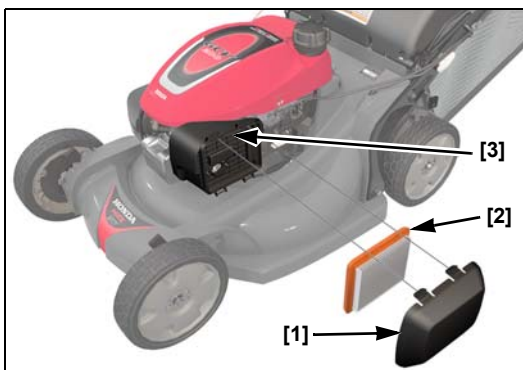
AVISO

El funcionamiento del motor sin el filtro de aire, o con un filtro estropeado, es motivo de que entre suciedad en él provocando su rápido desgaste. Este tipo de daño no está cubierto por la garantía.

1. Oprima las presillas de la tapa del filtro de aire [1] y, a continuación, quite la tapa.

2. Retire el filtro [2] de su caja [3].

3. Inspeccione el filtro y cámbielo si estuviera dañado.



4. Limpie el filtro golpeándolo varias veces contra una superficie dura para eliminar la suciedad interior o inyecte aire comprimido (cuya presión no exceda de 207 kPa). No intente nunca limpiar el filtro por cepillado, porque esta operación hace que se introduzca la suciedad en las fibras.

5. Limpie con un trapo húmedo la suciedad del interior de la caja y tapa del filtro de aire. Evite que entre suciedad en el conducto de aire que va al carburador.

6. Coloque nuevamente el filtro y la tapa.

Mantenimiento de la bujía

Bujías necesario: NGK - BPR5ES

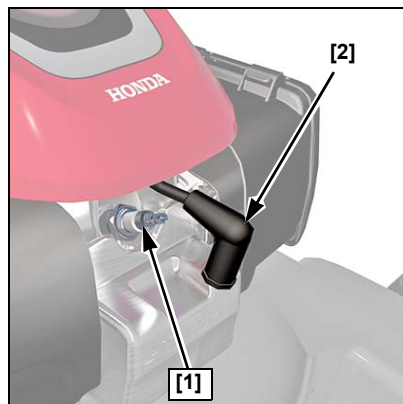
AVISO

El uso de una bujía inadecuada puede causar daños al motor.

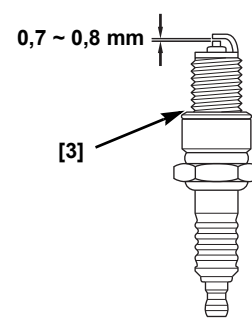
Para obtener un buen rendimiento, los electrodos de la bujía [1] deben estar a una distancia adecuada y no tener acumulación de depósitos.

1. Desconecte el capuchón de la bujía [2] y remueva la suciedad alrededor del área de la bujía.

2. Retire la bujía utilizando una llave para bujías.



3. Inspeccione la bujía. Cámbiela si los electrodos están gastados o si el aislante está fisurado o astillado. Limpie la bujía con un cepillo de cerdas de alambre si desea utilizarla nuevamente.



4. Mida con un calibrador adecuado la separación de los electrodos de la bujía. La separación debe ser de 0,7 ~ 0,8 mm. Para corregir la separación de los electrodos de la bujía si fuera necesario, doble cuidadosamente el electrodo lateral.

5. Instale cuidadosamente la bujía con la mano, para evitar trasroscarla.

6. Después que la bujía se asiente, apriete la bujía con una llave de bujías hasta comprimir la arandela. Si instala nuevamente la bujía usada, apriete 1/8 a 1/4 de vuelta después de que la bujía se asiente. Si instala una bujía nueva, apriete 1/2 vuelta después que la bujía se asiente, a fin de comprimir la arandela [3] de sello.

El par de torsión para los pernos de la cuchilla debe ser: 20 Nm

AVISO

Una bujía suelta puede causar el calentamiento excesivo y dañar el motor. El apretar demasiado la bujía puede causar daño a las roscas en la culata del cilindro.

7. Instale el capuchón de la bujía sobre la bujía.

Amortiguador de Chispas

En Europa, y en otros países donde se cumple con la directiva para maquinarias 2006/42/EC, esta limpieza debe realizarla un proveedor de servicios.

El apagallamas debe ser atendido cada 100 horas para que funcione como está previsto.

1. Deje enfriar el motor y después.

2. Suelte las dos pestañas de la cubierta roja [6] en el lado del silenciador del motor, luego levante la tapa ligeramente.

3. Con una llave de tubo de 10 mm, quite los tres pernos [1] de la pantalla [2] del silenciador.

4. Separe la pantalla [2] del silenciador.

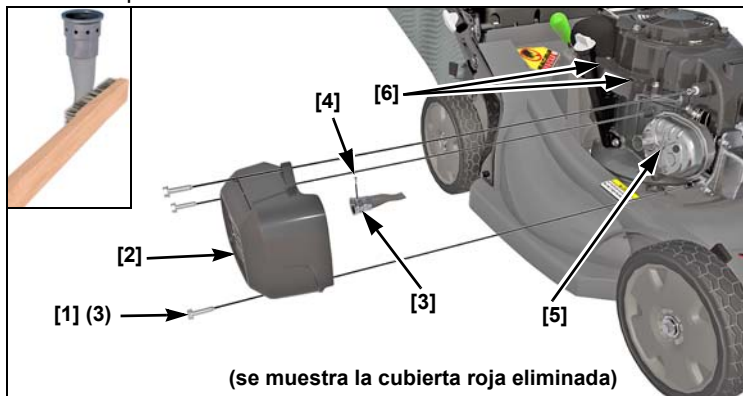
5. Quite el tornillo [4].

6. Separe del silenciador [5] el parachispas [3].

7. Compruebe si hay depósitos de carbonilla en el apagallamas [3] y en el orificio del escape. Elimínelos con un cepillo. Tenga cuidado para no dañar la pantalla del apagallamas [3].

8. Instale el apagallamas en el silenciador.

9. Instale en el motor los componentes del silenciador y apriete bien los tres pernos.



AJUSTES DEL CABLE DE CONTROL

Ajuste del cable de tracción-transmisión

Con el motor apagado, afloje una vuelta la contratuerca [1].

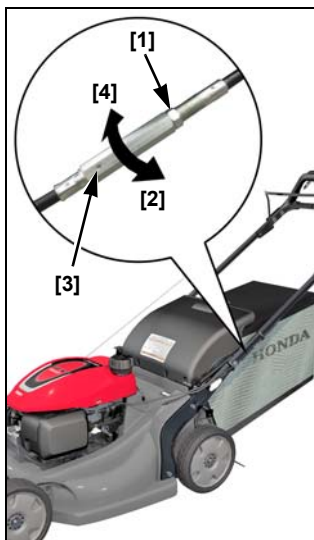
Apriete el [4] ajustador girando a la derecha una vuelta con la mano, y luego tirar de la cortadora de césped hacia atrás para comprobar la resistencia.

Si las ruedas no ofrecen resistencia, repita el procedimiento anterior hasta que las ruedas se bloqueen cuando se tira hacia atrás.

A continuación, usando la marca [3] en el regulador y afloje [2] el ajustador CCW ocho vueltas completas.

Sujete el regulador y apriete la contratuerca contra éste. Empuje el cortacésped adelante y atrás y compruebe si hay algo de resistencia o no.

Arranque el motor para asegurarse de que el cortacésped no se desplaza hacia delante sin pulsar el control Select Drive.



MONTAJE Y DESMONTAJE DE LA CUCHILLA

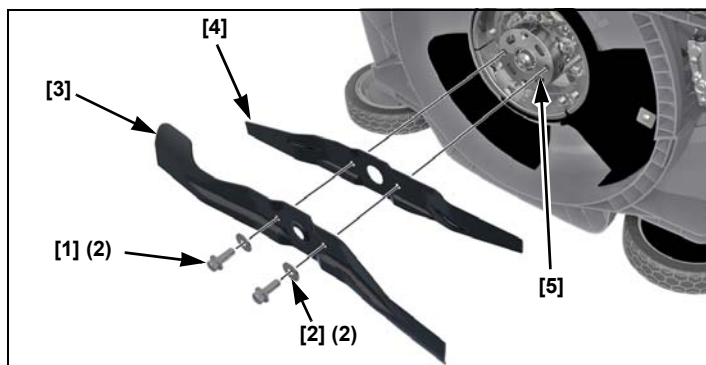
Si usted desmonta la(s) cuchilla(s) para afilarla(s) o cambiarla(s), usted necesitará una llave dinamométrica para la instalación. Use guantes gruesos para proteger sus manos.

AFILADO DE LA CUCHILLA: A fin de evitar el debilitamiento de la(s) cuchilla(s), o causar un desequilibrio o un corte de mala calidad, la(s) cuchilla(s) deberá(n) ser afilada(s) por el personal capacitado del distribuidor autorizado Honda.

CAMBIO DE LA CUCHILLA: Use cuchillas de repuesto Honda genuinas o sus equivalentes.

Desmontaje de la cuchilla

1. Coloque la palanca del acelerador en la posición de PARADA.
2. Desconecte el capuchón de la bujía (página x). Incline la cortadora hacia la derecha de forma que el tapón del combustible quede hacia arriba. Esto evitará fugas del combustible, filtraciones del aceite del motor en el filtro de aire y evitará la necesidad de arranques con fuentes externas.
3. Use una llave de cubo de 14 mm y retire los dos pernos de la cuchilla [1], así como también las arandelas especiales [2] del conjunto de mando de la cuchilla [5]. Utilice un taco de madera para evitar que la(s) cuchilla(s) gire(n) al aflojar y retirar los pernos.
4. Retire la cuchilla superior de trituración [4] y la cuchilla inferior de trituración [3].



Montaje de la cuchilla

⚠ ADVERTENCIA

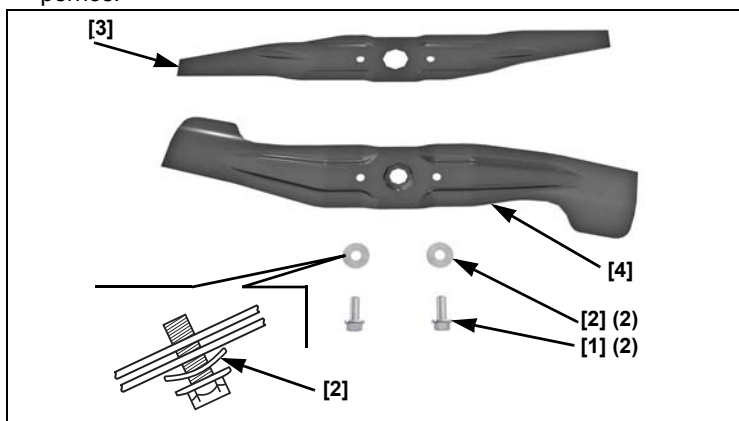
Si utiliza esta cortadora de césped sólo con una hoja, ésta quedará mal asentada y podría resultar expulsada de la cortadora con lo que podría herir de gravedad o incluso matar a alguien.

Utilice siempre ambas hojas como un conjunto.

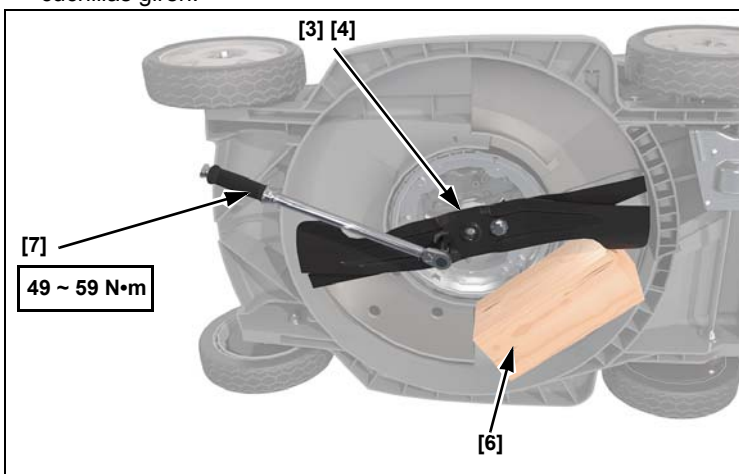
1. Limpie la suciedad y la hierba recortada que se encuentre alrededor de la zona de montaje de la cuchilla.
2. Instale la cuchillas [3] [4] utilizando los dos pernos de las cuchillas [1] y las arandelas especiales [2] tal como se muestra.

Asegúrese de instalar las arandelas especiales con el frente cóncavo en dirección hacia las cuchillas y el frente convexo en dirección hacia la cabeza de los pernos.

Los pernos de la cuchilla están diseñados especialmente para esta aplicación y no deben ser reemplazados con otro tipo de pernos.



3. Apriete los pernos de la cuchilla [3] [4] con una llave dinamométrica [7]. Use un taco de madera [6] para evitar que las cuchillas giren.



El par de torsión para los pernos de la cuchilla debe ser: 49 ~ 59 Nm

Si usted no posee una llave dinamométrica, lleve su cortacéspedes a un distribuidor autorizado de Honda para que sean ellos quienes aprieten los pernos de la cuchilla antes de usar la unidad. Si los pernos de la cuchilla se aprietan excesivamente, éstos podrían romperse; si los pernos de la cuchilla no se aprietan suficientemente, podrían aflojarse o desprenderse. En cualquier caso, puede ocurrir que las cuchillas se desprendan durante la operación del cortacéspedes.

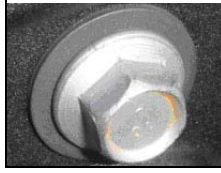
Inspección del perno de montaje de la cuchilla

Inspeccione los pernos de la cuchilla en busca de signos de daños o flojedad. Si están dañados, deben ser reemplazados.

Si aparecen sueltos, se debe usar una llave dinamométrica para apretar con precisión los pernos de la cuchilla al par requerido. Si no tiene una llave dinamométrica, lleve su cortacésped a un distribuidor autorizado para que los pernos sean reemplazados o apretados.

Utilice únicamente pernos de cuchilla genuinos Honda y arandelas especiales, ya que están diseñados específicamente para este propósito. Los números de repuesto están en la página 19.

Inspeccione las arandelas y las cabezas de los pernos para comprobar si están sueltos o dañados.



LIMPIEZA Y CAMBIO DEL SACO PARA CÉSPED

Limpieza del saco para césped

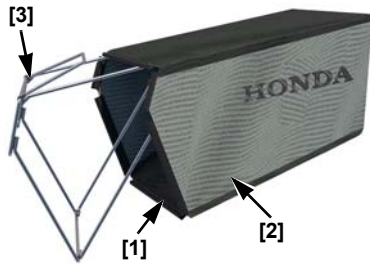
Lave el saco con una manguera de jardín y deje que seque completamente antes de usarlo nuevamente; un saco húmedo se atorará rápidamente.

Cambio del saco para césped

Cambie el saco para céspedes cuando éste muestre señales de desgaste o daños y sustitúyalo por un saco de repuesto Honda o su equivalente.

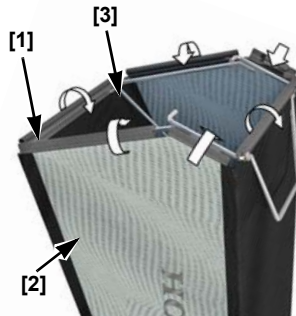
Desmontaje del saco

1. Desenganche del marco [3] los bordes plásticos [1] del saco para césped [2].
2. Retire el saco [2] del marco [3].



Instalación del saco para césped

1. Introduzca el marco del saco [3] dentro del saco mismo [2], tal como se muestra arriba.
2. Enganche los bordes plástico [1] del saco [2] en el marco [3].

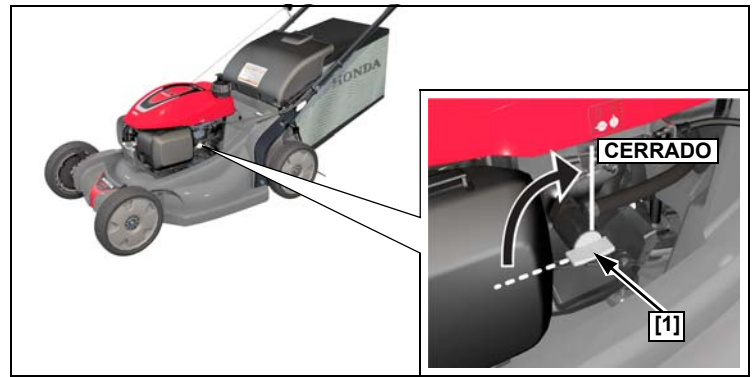


TRANSPORTE

Antes de cargar la unidad

Si el motor ha estado en marcha, permita que se enfríe por lo menos durante 15 minutos antes de cargar el cortacésped en el vehículo de transporte. Un motor y sistema de escape calientes pueden causar quemaduras y podrían inflamar algunos materiales.

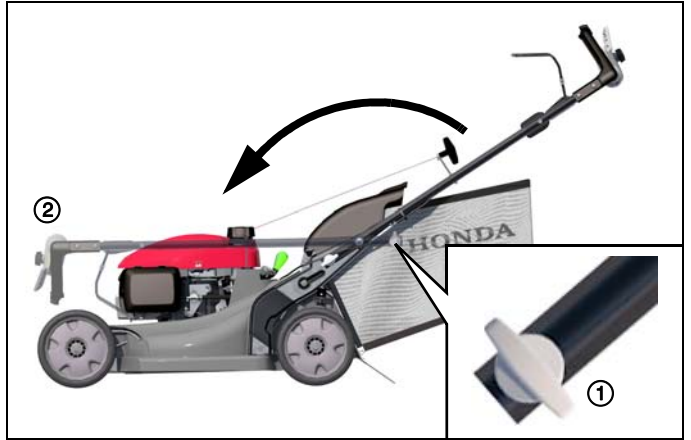
Gire la válvula de combustible hasta la posición de CERRADO. Esto evitará que el carburador se inunde y reducirá la posibilidad de que ocurra un derrame de combustible.



Plegado del manillar

1. Retire el saco para césped, si está instalado. Usted puede colocarlo sobre la superficie del motor, con la abertura del saco hacia adelante.
2. Desbloquee las perillas de ajuste [1] del manillar y, seguidamente, empuje el manillar [2] hacia delante. Asegúrese de que la palanca de control de la cuchilla libera el motor al plegar el manillar.

Cuando pliegue el manillar, tenga cuidado de no doblar ni aplastar los cables de mando.



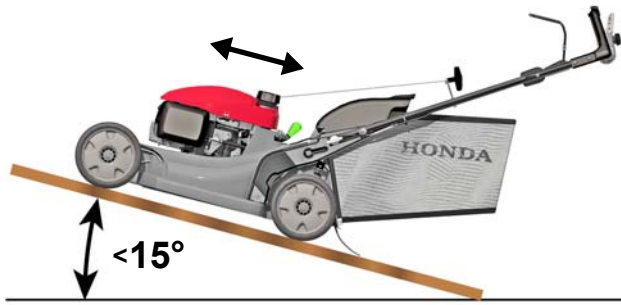
Carga y descarga del cortacéspedes

Coloque el cortacéspedes de tal manera que las cuatro ruedas se apoyen sobre la plataforma del vehículo de transporte. Inmovilice el cortacéspedes por medio de una soga o correas, y coloque calces bajo las ruedas. La soga o las correas no deben tocar los mandos, las palancas de ajuste, los cables ni el carburador.

AVISO

- Para evitar la pérdida del control o daños a su cortacéspedes, no use el sistema de propulsión cuando suba o baje la máquina sobre una rampa de carga.
 - Para evitar el daño al sistema de propulsión no enganche el embrague cuando el cortacéspedes rueda marcha atrás.
1. Gire la válvula de combustible hasta la posición de CERRADO.
 2. Se recomienda usar una rampa de carga adecuada. Ajuste la rampa de carga de tal manera que su inclinación no exceda un ángulo de 15° con la horizontal. Si no se dispone de una rampa de carga, dos personas podrían cargar o descargar el cortacéspedes del vehículo de transporte, pero se debe tener cuidado para

mantener el cortacéspedes en posición horizontal en todo momento.



ALMACENAMIENTO

El almacenamiento adecuado es esencial para mantener su cortacéspedes sin problema alguno y en buen estado. Los siguientes pasos le ayudarán a proteger el cortacéspedes contra el óxido y la corrosión y permitirán que el motor encienda más fácilmente cuando use nuevamente el cortacéspedes.

Limpieza

1. Lave el cortacéspedes, incluyendo la superficie inferior del bastidor del cortacéspedes.

Motor

Lave a mano el motor, y tenga cuidado para evitar que el agua penetre en el filtro de aire.

AVISO

- El uso de una manguera de jardín o de un equipo de lavado a presión, puede forzar el ingreso del agua en el filtro de aire. El agua en el filtro del aire remojará los filtros y puede penetrar al carburador o al cilindro del motor, causando daños al equipo.
- El agua que hace contacto con el motor caliente puede causar daños. Si el motor ha estado en operación, permita que se enfríe por lo menos durante media hora antes de lavarlo.

Bastidor del cortacéspedes

Si usa una manguera de jardín o un equipo de lavado a presión para limpiar el bastidor del cortacéspedes, cuide de no permitir que el agua penetre en los mandos y los cables ni cerca de las aberturas del filtro de aire del motor o del silenciador.

Antes de lavar la superficie inferior del bastidor del cortacéspedes, asegúrese que la palanca del acelerador se encuentre en la posición de PARADA y que la válvula de combustible esté en la posición de CERRADO. Incline la cortadora hacia la derecha de forma que el tapón del combustible quede hacia arriba. Esto ayudará a evitar el derrame de combustible y las dificultades en el encendido por causa de un carburador ahogado. Use guantes gruesos para proteger sus manos de la cuchilla (o cuchillas).

Saco para césped

Retire el saco del cortacéspedes y lávelo con una manguera de jardinería o un equipo de lavado a presión. Permita que el saco seque completamente antes de almacenarlo.

2. Después de lavar el cortacéspedes, seque todas las superficies accesibles.
3. Con el cortacéspedes en su posición normal, encienda el motor al aire libre, y deje que continúe su marcha hasta que alcance la temperatura normal de operación a fin de lograr que se evapore cualquier residuo de agua sobre el motor.
4. Apague el motor y deje que se enfríe.
5. Después de limpiar y secar el cortacéspedes, retoque con pintura cualquier área de pintura dañada y aplique una capa ligera de aceite sobre otras áreas que puedan estar sujetas a corrosión.

COMBUSTIBLE

AVISO

Según la región en la que se vaya a usar el equipo, es posible que los combustibles se deterioren y oxiden con rapidez. El deterioro y la oxidación del combustible pueden producirse incluso antes de 30 días y pueden dañar el carburador y el sistema de combustible. Pida a su proveedor de mantenimiento que le indique cuáles serían las condiciones óptimas de almacenamiento en la región.

La gasolina se oxidará y se deteriorará durante el almacenamiento. La gasolina vieja puede causar dificultades en el encendido y deja depósitos de goma que obstruyen el sistema de combustible. Si la gasolina en su cortacéspedes se deteriora durante el almacenamiento, el carburador y otros componentes del sistema de combustible podrían necesitar repararse o cambiarse.

El tiempo que se puede dejar la gasolina en el tanque del combustible y en el carburador sin causar problemas en el funcionamiento del cortacéspedes, variará de acuerdo a factores tales como la mezcla de gasolina, las temperaturas de almacenamiento y si el tanque de combustible se encuentra parcialmente lleno o completamente lleno. El aire en un tanque de combustible parcialmente lleno acelera el deterioro del combustible. Las temperaturas de almacenamiento relativamente elevadas también aceleran el deterioro del combustible. Los problemas causados por el deterioro de combustible pueden ocurrir en unos pocos meses o aun menos, si la gasolina no era fresca cuando se llenó el tanque.

Si usted tiene una lata de gasolina para repostar, asegúrese de que sólo contenga gasolina nueva.

El combustible del recipiente de almacenamiento demora más de 3 meses en consumirse; sugerimos agregar un estabilizador al combustible cuando llene el recipiente.

Almacenamiento a corto plazo (de 30 a 90 días):

Si el equipo no se utilizará durante un período de entre 30 y 90 días, recomendamos las siguientes pautas para evitar problemas relacionados con el combustible:

1. Añada estabilizador de gasolina siguiendo las instrucciones del fabricante.

Cuando añada un estabilizador de combustible, llene el tanque con gasolina fresca. Si solamente llena parcialmente el tanque, el aire en dicho tanque acelerará el deterioro del combustible durante el almacenamiento.

Nota:

- Todos los estabilizadores tienen una vida útil, y su rendimiento se deteriora con el tiempo.
- Los estabilizadores no reconstituyen el combustible que está en malas condiciones.

2. Después de añadir un estabilizador de gasolina, haga funcionar el motor al aire libre durante diez minutos para asegurarse de que la gasolina tratada haya reemplazado la gasolina sin tratar en el sistema de combustible.

3. Cierre la válvula de combustible.

4. Siga haciendo funcionar el motor hasta que se pare por falta de combustible en la taza de combustible del carburador. El tiempo de funcionamiento debe ser menor que 3 minutos.

Nota:

- Todos los estabilizadores tienen una vida útil, y su rendimiento se deteriora con el tiempo.
- Los estabilizadores no reconstituyen el combustible que está en malas condiciones.

Almacenamiento a largo plazo o estacional (superior a los 90 días)

Encienda el motor y permita que funcione el tiempo suficiente para agotar toda la gasolina del sistema total de combustible (incluido el tanque de combustible). No permita que la gasolina permanezca en el motor durante más de 90 días de inactividad.

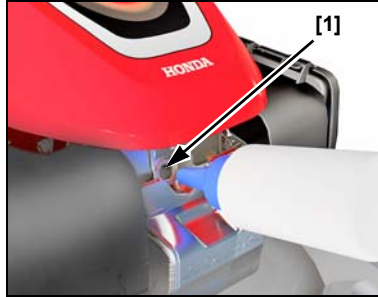
La garantía no cubre daños al sistema de combustible ni problemas de rendimiento del motor que resulten de la negligencia en la preparación de la unidad para el almacenamiento.

Aceite del motor

Cambie el aceite del motor (página 13).

Cilindro del motor

Si el cortacésped se debe almacenar por más de tres meses, retire la bujía (página 14). Vierta de 5 a 10 cc de aceite limpio para motor dentro de la cámara del cilindro [1]. Tire del lanzador repetidamente a fin de distribuir el aceite en el cilindro. Reinstale la bujía.



Tire lentamente del lanzador hasta que éste ofrezca una pequeña resistencia, luego deje que la manija del lanzador vuelva a su posición original. Esto hará que se cierren las válvulas, de tal manera que la humedad no penetre en el cilindro del motor.

Almacenamiento

Si su cortacésped será almacenado con gasolina en el tanque de combustible y en el carburador, es importante reducir el riesgo de ignición de los vapores de gasolina. Seleccione un área de almacenamiento que posea una ventilación adecuada, lejos de cualquier electrodoméstico que funcione con una llama piloto, tal como un sistema de calefacción, un calentador de agua, o un secador de ropa. Evite también cualquier área donde se encuentre un motor eléctrico que produzca chispas, o los lugares donde se utilicen herramientas eléctricas.

Si fuera posible, evite las áreas de almacenamiento con humedades relativas elevadas, porque eso facilita el óxido y la corrosión.

Coloque el cortacésped con sus cuatro ruedas apoyadas sobre una superficie a nivel. El inclinar la máquina podría causar un derrame de combustible o aceite.

El manillar puede plegarse para obtener una posición compacta de almacenamiento (página 16).

Cuando el motor y el sistema de escape se enfríen, cubra el cortacésped para evitar la acumulación de polvo sobre la unidad. Un motor o un sistema de escape calientes pueden incendiar o derretir algunos materiales. No use cubiertas plásticas para proteger la máquina contra el polvo. Una cubierta no porosa atraparà la humedad alrededor del cortacésped, lo cual facilitará el óxido y la corrosión.

Remoción Del Almacenamiento

Inspeccione su cortacésped en la forma descrita en el capítulo INSPECCIÓN ANTES DE LA OPERACIÓN (página 6), contenido en este manual.

Si el cilindro se recubrió con un capa de aceite durante la preparación para el almacenamiento, el motor expulsará humo por un período breve durante el encendido. Esto es normal.

RESOLUCIÓN DE PROBLEMAS

EL MOTOR NO ENCIENDE

Causa posible	Medidas correctivas
La válvula de combustible está en la posición de CERRADO	Gire la válvula de combustible hasta la posición de ABIERTO (página 5).
La palanca del acelerador se encuentra en la posición incorrecta	Mueva la palanca del acelerador hasta la posición rápida, (página 5).
No tiene combustible	Abastezca de combustible (página 7).
Combustible deteriorado; el cortacésped se almacenó sin dar tratamiento a la gasolina, o se abasteció con gasolina deteriorada	Recargue el tanque con gasolina fresca (página 7).
La bujía está defectuosa, dañada o mal calibrada	Limpie, ajuste la separación de los electrodos o cambie la bujía (página 14).
La bujía está húmeda con combustible (motor ahogado)	Seque e instale nuevamente la bujía.
El filtro del combustible está averiado, el sistema de encendido está averiado, las válvulas están atoradas, etc.	Lleve el cortacésped donde un distribuidor Honda, o consulte el manual de taller.

PÉRDIDA DE POTENCIA

Causa posible	Medidas correctivas
La palanca del acelerador no está colocada en la posición rápida	Desplace la palanca del acelerador hasta la posición rápida (página 5).
El césped está muy crecido para cortarlo	Eleve el alto de corte (página 8), corte una ringleira más angosta (página 5), o corte más frecuentemente. Ajuste la perilla del director del corte.
El bastidor del cortacésped está atorado	Limpie el bastidor del cortacésped (página 11).
Filtro de aire obstruido	Limpie o sustituya el filtro de aire (página 13).
El combustible está deteriorado; el cortacésped se almacenó conteniendo gasolina en el tanque y ésta no recibió tratamiento alguno, o la unidad se abasteció con combustible de mala calidad	Recargue el tanque de combustible con gasolina fresca (página 7).
El filtro de combustible está atorado, el carburador está averiado, el sistema de encendido está averiado, las válvulas están atoradas, etc.	Lleve el cortacésped donde un distribuidor Honda, o consulte el manual de taller.

VIBRACIÓN

Causa posible	Medidas correctivas
Hierba recortada y basuras se han acumulado bajo el bastidor del cortacéspedes	Limpie el bastidor del cortacéspedes (página 11).
La(s) cuchilla(s) está(n) suelta(s), dobladas, dañada(s) o desequilibrada(s) debido a un afilado defectuoso	Apriete los pernos sueltos de la cuchilla. Cambie la(s) cuchilla(s) dañada(s) (página 15).
Ha ocurrido un daño mecánico, el árbol de levas podría estar doblado	Lleve el cortacéspedes donde un distribuidor Honda, o consulte el manual de taller.

CORTE DE MALA CALIDAD O BAJO RENDIMIENTO DE CORTE Y EMBOLSADO

Causa posible	Medidas correctivas
La velocidad del motor es muy baja para cortar adecuadamente	Desplace la palanca del acelerador hasta la posición rápida (página 5).
El cortacéspedes avanza muy rápidamente para las condiciones del césped.	Cambie a velocidad lenta (página 10) o empuje más lentamente.
Las palancas de ajuste están colocadas en posiciones diferentes	Coloque todas las palancas a la misma altura de corte (página 11).
El saco para céspedes está completamente lleno o atorado	Vacíe el saco para césped. Lave el saco para césped si está atorado con suciedad (página 16).
El bastidor del cortacéspedes está atorado	Limpie el bastidor del cortacéspedes (página 11).
La(s) cuchilla(s) está(n) sin filo, gastada(s) o dañada(s)	Afile o cambie la(s) cuchilla(s) (página 15).
Se instaló una cuchilla o cuchillas inadecuada(s)	Instale la(s) cuchilla(s) correctas (página 15).

PIEZAS

Artículo	Números de piezas
Filtro de aire	17211-Z8B-901
Bujía	98079-55846
Cuchilla	72531-VH7-000 (superior) 72511-VH7-000 (inferior)
Perno de la cuchilla (2)	90105-960-710
Arandela del perno (2)	90502-VG3-000

ESPECIFICACIONES

MODELO	HRX537C5
TIPOS	VYE
CÓDIGO DE DESCRIPCIÓN	MAMA

CARACTERÍSTICAS GENERALES

Longitud	1610 mm
Altura del manillar	1073 mm
Masa (ISO5395)	43,5 kg
Anchura	588 mm
Ancho de corte	530 mm
Ajustes de la altura de corte	19 mm, 32 mm, 46 mm, 62 mm, 75 mm, 88 mm, 101 mm
Capacidad del saco para césped	85 L
Nivel de presión acústica en el puesto de conducción (según EN ISO 5395-1:2013)	85 dB(A)
Incertidumbre	1 dB(A)
Nivel de potencia acústica medido (según directiva 2000/14/EC)	96 dB(A)
Incertidumbre	1 dB(A)
Nivel de potencia acústica gatanzado (según directiva 2000/14/EC)	98 dB(A)
Las vibraciones transmitidas (según EN ISO 5395-1:2013)	5.4 m/s ²
Incertidumbre	2.1 m/s ²

MOTOR

Modelo	GCV200
Tipo	4 tiempos, un solo cilindro, eje vertical
Cilindrada	201 cc
Calibre y carrera	66 x 59 mm
Enfriamiento	Por aire forzado
Lubricación	Por chapoteo e inyección
Relación de compresión	8,0:1
Velocidad máxima	2.850 ⁺⁰ ₋₁₀₀ min ⁻¹
Velocidad de marcha en vacío	1.700 ±150 min ⁻¹
Encendido	Magneto transistorizado
Bujía	NGK: BPR5ES
Separación de electrodos	0,7 ~ 0,8 mm
Filtro de aire	Tipo de cartucho seco
Carburante recomendado	Gasolina regular de 91octanos o superior (de preferencia sin plomo)
Capacidad del depósito de gas	0,91 litro
Aceite recomendado	SAE 10W-30, API SJ o equivalente
Capacidad de aceite de motor	0,40 litros * Cantidad de relleno: 0,35 ~ 0,40 litros

* La cantidad real variará debido al aceite residual que permanezca en el motor. Use siempre la varilla indicadora de nivel para (página 4).

TRANSMISIÓN

Tipo	Hidrostática
Motor hacia transmisión	Correa en V
Embrague principal	De aceite
Velocidad de avance (motor @ 2.850 min ⁻¹)	0 ~ 1,64 m/s
Fluido recomendado	10W-30

EINLEITUNG

Wir möchten uns dafür bedanken, daß Sie einen Honda-Rasenmäher gekauft haben.

In dieser Bedienungsanleitung werden der Betrieb und die Wartung der Rasenmäher HRX537VYE von Honda beschrieben.

Wir möchten Ihnen den optimalen Einsatz und den sicheren Betrieb Ihres neuen Rasenmähers ermöglichen. Diese Bedienungsanleitung enthält die entsprechenden Informationen. Lesen Sie sie bitte genau.

Diese Bedienungsanleitung gilt als Bestandteil des Rasenmähers und sollte beim Weiterverkauf dem neuen Besitzer übergeben werden.

Wenn Sie im Zusammenhang mit dem Rasenmäher Schwierigkeiten oder irgendwelche Fragen haben, kontaktieren Sie Ihren Lieferanten.

Lesen Sie bitte die Garantie-Urkunde, in der Ihre Rechte und Pflichten beschrieben werden. Die Garantie-Urkunde ist ein separates Dokument, das Sie von Ihrem Lieferanten erhalten.

Honda Power Equipment Mfg., Inc. behält sich das Recht vor, jederzeit ohne Vorbehalt Änderungen vorzunehmen.

Die Vervielfältigung bzw. der Nachdruck der vorliegenden Bedienungsanleitung ist ohne vorherige schriftliche Zustimmung nicht gestattet.

SICHERHEITSHINWEISE

Bitte beachten Sie besonders jene Hinweise, die durch die folgenden Wörter gekennzeichnet sind:

⚠ GEFAHR

Wenn Sie die Anweisungen nicht befolgen, werden Sie **TÖDLICH** oder **SCHWER VERLETZT**.

⚠ WARNUNG

Sie können sich **SCHWERE** oder **TÖDLICHE VERLETZUNGEN** zuziehen, wenn Sie diese Hinweise nicht beachten.

⚠ VORSICHT

Sie könnten sich **VERLETZUNGEN** zuziehen, wenn Sie diese Hinweise nicht beachten.

In diesen Sicherheitshinweisen werden die jeweilige Gefahr, die möglichen Folgen und die Vorsichtsmaßnahmen zur Verringerung der Verletzungsgefahr beschrieben.

HINWEISE ZUR VERHINDERUNG VON SACHSCHÄDEN

Andere wichtige Hinweise sind in dieser Bedienungsanleitung folgendermaßen gekennzeichnet:

ZUR BEACHTUNG

Ihr Rasenmäher oder andere Gegenstände könnten beschädigt werden, wenn Sie diese Hinweise nicht beachten.

Mit diesen Hinweisen wird bezweckt, eine Beschädigung Ihres Rasenmähers oder anderer Gegenstände und negative Auswirkungen auf die Umwelt zu vermeiden.

HONDA

BEDIENUNGSANLEITUNG

(Originalbetriebsanleitung)

HRX537VYE

RASENMÄHER



INHALTSVERZEICHNIS

EINLEITUNG	1	WARTUNG	12
SICHERHEITSHINWEISE	1	Bedeutung Der Wartung	12
SICHERHEITSAUWEISUNGEN 2		Wartungskalender	13
Stelle, an Denen Das		Wartung Des Motors	13
Sicherheitsschild		Seilzug-Einstellungen	15
Angebracht ist	3	Aus-und Einbau Des	
Typenschild	3	Schneidwerkzeugs	15
BAUTEILE	3	Reinigung Und Auswechseln	
AUFBAU	4	Des Grasfangeinrichtungs ..	15
BEDIENUNGSELEMENTE	5	TRANSPORT	16
KONTROLLEN VOR		LAGERUNG	17
INBETRIEBNAHME	6	STÖRUNGSBESEITIGUNG ..	19
Ölstand	7	TECHNISCHE DATEN	20
Benzin	7		
BETRIEB	9	Honda-Garantiebedingungen,	
Vorsichtsmassnahmen Beim		EU-Konformitätserklärung,	
Mähen	9	Honda Verteileradressen	
Anlassen Des Motors	10Letzteseite	
Betrieb Der Bedienungs			
elemente Beim Mähen	10		
Abstellen Des Motors	10		
Sicheres Mähen	10		
Mahtips	11		

DEUTSCH

SICHERHEITSANWEISUNGEN

⚠️ WARNUNG

Zur Gewährleistung eines sicheren Betriebs –



• Honda-Rasenmäher sind so konstruiert, daß bei Einhaltung der Bedienungsanleitung ein sicherer und zuverlässiger Betrieb gewährleistet ist. Lesen Sie die Bedienungsanleitung, bevor Sie den Rasenmäher verwenden. Eine Nichtbefolgung der Anleitungen könnte Verletzungen oder Sachschäden zur Folge haben.

- Die Anleitungen genau lesen, um sich mit den Bedienungselementen und der sachgemäßen Verwendung des Geräts vertraut zu machen.
- Kinder oder andere Personen, die mit der Verwendung des Rasenmähers nicht vertraut sind, den Mäher nicht verwenden lassen. Die örtlichen Bestimmungen könnten für die Bedienung eines Rasenmähers ein bestimmtes Mindestalter vorschreiben.
- Darauf achten, daß sich beim Mähen keine Personen, vor allem Kinder, oder Haustiere in der Nähe befinden.
- Immer bedenken, daß der Bediener oder Benutzer für Verletzungen oder eine Gefährdung anderer Personen oder ihres Eigentums verantwortlich ist.
- Beim Mähen immer geeignetes Schuhwerk und lange Hosen tragen. Nicht barfuß oder mit offenen Sandalen arbeiten.
- Den Arbeitsbereich gründlich kontrollieren und alle Gegenstände, die vom Rasenmäher weggeschleudert werden könnten, entfernen.
- Benzin ist feuergefährlich:
 - Benzin nur in dafür vorgesehenen Behältern aufbewahren.
 - Nur im Freien tanken und dabei nicht rauchen.
 - Vor dem Anwerfen des Motors tanken. Weder den Tankverschluß abnehmen noch Benzin nachfüllen, wenn der Motor läuft oder noch heiß ist.
 - Wenn Benzin verschüttet wird, den Motor nicht anwerfen. Den Rasenmäher von der Stelle wegschieben, an der Benzin verschüttet wurde, und warten, bis sich die Benzindämpfe verflüchtigt haben, damit sie sich nicht entzünden können.
 - Den Tankverschluß fest zuschrauben.
- Den Auspuff austauschen, wenn er schadhaft ist.
- Die Schneidwerkzeuge und deren Befestigungsschrauben sowie das Rasenmähergehäuse vor jeder Verwendung auf sichtbare Schäden oder Abnutzungen überprüfen. Aus Gründen der gleichmäßigen Gewichtsverteilung sollten abgenutzte oder schadhafte Schneidwerkzeuge und Befestigungsschrauben nur als Satz ausgewechselt werden.
- Den Motor niemals in einem geschlossenen Raum laufen lassen, da die Auspuffgase giftiges Kohlenmonoxid enthalten.
- Nur bei Tageslicht oder ausreichendem künstlichen Licht mähen.
- Kein nasses Gras mähen, sofern dies nicht unbedingt erforderlich ist.
- Beim Mähen auf Abhängen:
 - Darauf achten, daß Sie auf Abhängen einen sicheren Stand haben.
 - Immer quer zum Abhang mähen, und nicht nach oben oder nach unten.
 - Langsam gehen und nicht laufen.
 - Beim Wenden auf Abhängen ist besondere Vorsicht geboten.
 - Nicht auf stark abschüssigen Hängen mähen.
- Beim Umdrehen oder wenn Sie den Rasenmäher zu sich ziehen, immer besondere Vorsicht walten lassen.
- Wenn Sie den Rasenmäher zum Transport seitlich aufheben müssen, wenn Sie nicht auf Gras fahren oder wenn Sie den Rasenmäher zum Rasen befördern oder vom Rasen wegtransportieren, warten, bis die Schneidwerkzeuge zum Stillstand gekommen sind.
- Den Rasenmäher nie mit schadhafte Schutz- oder Sicherheitsvorrichtungen (z.B. Ablenkern und/oder Grasfangeinrichtung) verwenden.
- Die Radhöhe nicht bei laufendem Motor einstellen.
- Die Einstellung des Motordrehzahlreglers nicht ändern und den Motor nicht zu schnell laufen lassen.
- Vor dem Anlassen des Motors die Schneidwerkzeuge- und Fahrkupplung auskuppeln.

- Den Motor wie in den Anleitungen beschrieben anlassen und auf einen sicheren Abstand zwischen dem Schneidwerkzeug und den Füßen achten.
- Den Rasenmäher beim Anlassen des Motors nicht kippen.
- Die Hände oder Füße nicht unter rotierende Teile halten und einen sicheren Abstand einhalten. Nie vor der Auswurfkanal stehen.
- Den Rasenmäher nie bei laufendem Motor aufheben oder tragen.
- Den Motor in den folgenden Fällen abstellen und den Zündkerzenstecker abziehen:
 - Vor der Beseitigung einer Blockierung oder wenn der Rasenmäher verstopft ist.
 - Vor dem Überprüfen, Säubern oder Warten des Rasenmähers.
 - Nachdem ein Fremdkörper angefahren wurde. Den Rasenmäher auf Schäden überprüfen und vor dem erneuten Anlassen die erforderlichen Reparaturen durchführen.
 - Den Rasenmäher sofort überprüfen, wenn starke Vibrationen auftreten.
- Den Motor in den folgenden Fällen abstellen:
 - Wenn Sie den Rasenmäher unbeaufsichtigt lassen.
 - Vor dem Auftanken des Rasenmähers.
 - Vor dem Abnehmen der Grasfangeinrichtung, des seitlichen Auswurfschachts oder des Mulch-Einsteckbehälters.
- Den Gashebel beim Abstellen des Motors in eine niedrigere Stellung bringen und den Benzinabsperrhahn nach dem Mähen zudrehen.
- Darauf achten, daß alle Muttern, Bolzen und Schrauben fest angezogen sind, damit sich die Ausrüstung in einem sicheren Betriebszustand befindet.
- Den Rasenmäher nie mit Benzin im Tank in einem Raum lagern, in dem Benzindämpfe durch eine offene Flamme oder Funken entzündet werden könnten.
- Den Motor vor dem Lagern des Rasenmähers in einem abgeschlossenen Raum abkühlen lassen.
- Zur Verminderung der Feuergefahr darauf achten, daß sich im Motor, im Auspuff, im Batteriekasten (sofern vorhanden) und im Benzinlagerbereich kein Gras, Laub oder überschüssiges Schmierfett befindet.
- Die Grasfangeinrichtung häufig auf Verschleiß oder Schäden überprüfen.
- Abgenutzte oder beschädigte Teile aus Sicherheitsgründen austauschen.
- Wenn der Benzintank ausgeleert werden muß, sollte dies im Freien durchgeführt werden.
- Augenschutz tragen.
- Die Maschine nicht bei Müdigkeit, Unwohlsein oder Krankheit oder nach der Einnahme von Medikamenten, Drogen, Alkohol oder anderen Substanzen bedienen, die das Reaktionsvermögen und die Konzentration einschränken.
- Bei der Bedienung der Maschine immer festes und rutschsicheres Schuhwerk und lange Beinbekleidung tragen. Barfußigkeit und offene Schuhe verbieten sich bei der Maschinenbedienung. Halsketten und Armbänder, weite, lose sitzende Kleidung, Schnüre aller Art und Krawatten stellen ein Sicherheitsrisiko dar. Langes Haar muss zurückgebunden werden. Grundsätzlich einen Gehörschutzhelm tragen.
- Zu beachten ist, dass der Betreiber oder Benutzer für Unfälle und Gefährdungen anderer Personen und für Schäden an fremdem Eigentum aufzukommen hat. Der Benutzer ist für das Abprüfen möglicher Risiken durch den Arbeitsuntergrund und für alle notwendigen Vorkehrungen zu seiner eigenen und der Sicherheit anderer verantwortlich – insbesondere auf abschüssigem, unwegsamem, rutschigem oder nachgiebigem Untergrund und in der Nähe von Löchern, Gruben oder Böschungen.
- **BITTE BEACHTEN** – Die in diesem Informationsblatt angegebenen Geräusch- und Vibrationspegel sind Höchstwerte im Einsatz der Maschine. Unwuchten im Schneidwerk, zu hohe Arbeitsgeschwindigkeiten und mangelnde Wartung können Geräusche und Emissionen erheblich beeinflussen. Darum sind Vorsichtsmaßnahmen und Vorkehrungen wichtig, um mögliche Schäden durch hohe Lärm- und Schwingungsbelastungen zu vermeiden: Bitte achten Sie auf die ordnungsgemäße Wartung der Maschine, und tragen Sie einen Gehörschutz. Legen Sie Arbeitspausen ein.

Entsorgung

Aus Umweltschutzgründen dürfen dieses Produkt, Batterien, Motoröl usw. nicht einfach in den Müll gegeben werden. Beachten Sie die örtlichen Gesetze und Vorschriften oder setzen Sie sich bezüglich Entsorgung mit Ihrem Honda-Vertragshändler in Verbindung.

STELLE, AN DENEN DAS SICHERHEITSSCHILD ANGEBRACHT IST

Dieses Sicherheitsschild warnt Sie vor potentiellen Gefahren, die schwere Verletzungen zur Folge haben können. Lesen Sie das Sicherheitsschild sorgfältig. Wenn sich das Sicherheitsschild ablöst oder unlesbar wird, ersetzen Sie es durch ein neues, das Sie in Ihrem Fachgeschäft erhalten.

Buchstabe	Zeichen
A	
	<ol style="list-style-type: none"> 1. Lesen Sie vor dem Benutzen des Mähers die Bedienungsanleitung genau durch. 2. Gefährdung von Personen. Bei Betrieb Dritte vom Gefahrenbereich fernhalten. 3. Verletzungsgefahr. Gefahr durch umlaufende Schneidwerkzeuge. Hände und Füße fernhalten. Entfernen Sie den Zündkerzenstecker vor allen Wartungs- oder Reparaturarbeiten. 4. Nicht ohne prallblech oder grasfangsack verwenden.

Buchstabe	Zeichen
B	
	<ol style="list-style-type: none"> 5. Lesen Sie vor dem Benutzen des Mähers die Bedienungsanleitung genau durch. 6. Im Abgas des Motors ist giftiges Kohlenmonoxid enthalten. Nicht in einem geschlossenen Bereich laufen lassen. 7. Benzin ist äußerst feuergefährlich und explosiv. Vor dem Tanken den Motor abstellen und abkühlen lassen.

TYPENSCHILD

Buchstabe	Zeichen
C	
	<ol style="list-style-type: none"> 1. Garantierte schalleistungspegel gemäß EWG-Direktive 2000/14/EC 2. Konformitätszeichen gemäß EWG-Direktive 3. Konformitätszeichen gemäß optional 4. Puissance nominale en kilowatts 5. Maximal Motordrehzahl 6. Herstellungsjahr 7. Gewicht in Kilogramm 8. Seriennummer 9. Modell 10. Name und Adresse und Bevollmächtigter 11. Name und Adresse des Herstellers

Name und Anschrift des Herstellers und bevollmächtigten Vertreters sind in der "EG-Konformitätserklärung Declaraton" CONTENT ÜBERBLICK in dieser Bedienungsanleitung geschrieben.

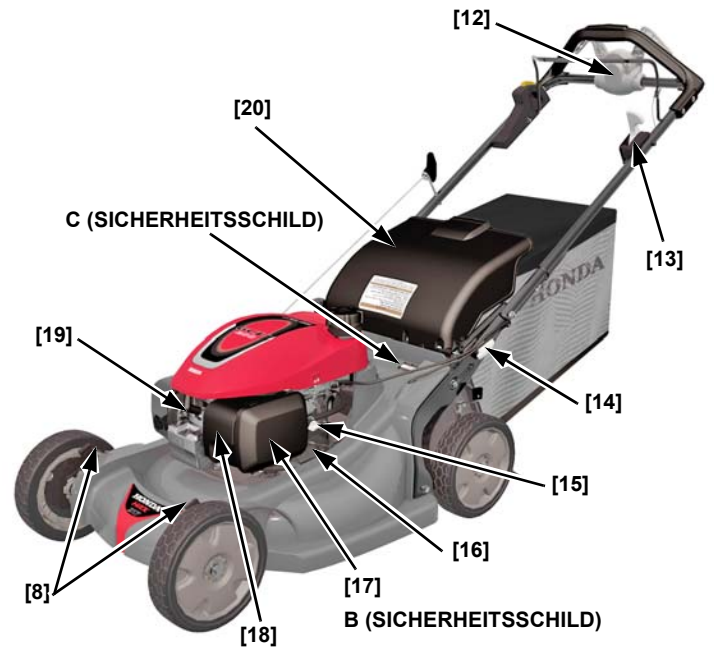
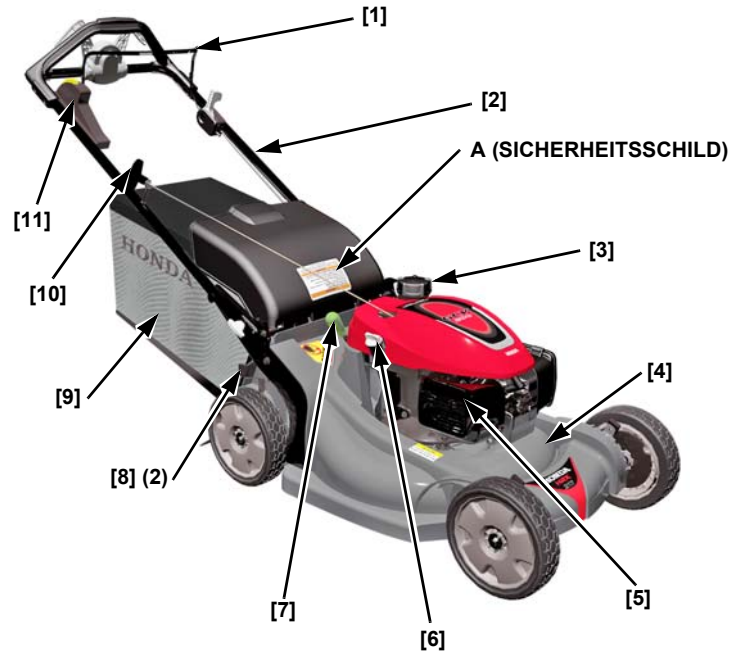
Tragen Sie hier die Seriennummern des Rahmens und des Motors ein. Sie benötigen diese Seriennummern zum Bestellen von Ersatzteilen sowie bei technischen Fragen bzw. Garantiefällen.

Seriennummern des Rahmens: _____ - _____

Seriennummern des Motors: _____ - _____

Kaufdatum: ____ / ____ / ____

BAUTEILE



1	Stellteil für das Schneidwerkzeug (Startet und stoppt das Schneidwerkzeug)	11	Messerkupplungs-Verriegelungsknopf
2	Lenkgestänge	12	Select Drive Kontrolle
3	Tankverschluss	13	Gashebel
4	Hintere Auswurfschutz	14	Lenkgestänge-Schraubverschluß (2)
5	Auspuff	15	Treibstoffventil
6	Öltankverschluss	16	Motorseriennummer
7	Schnittrichtungsknopf	17	Luffilter
8	Schnitthöhen-Einstellhebel (4)	18	Vergaser
9	Grasfangeinrichtung	19	Zündkerzenstecker
10	Rückschnell-Starterseilzug	20	Auswurfdeckel

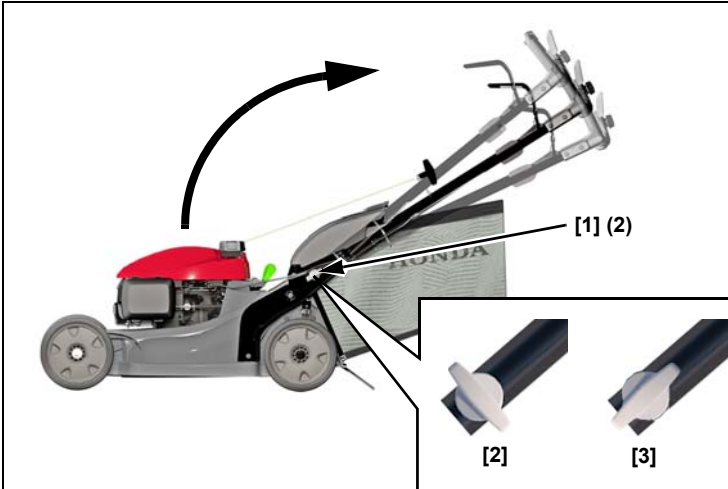
AUFBAU

AUSPACKEN

Entfernen Sie die Verpackung des Lenkgestänges.

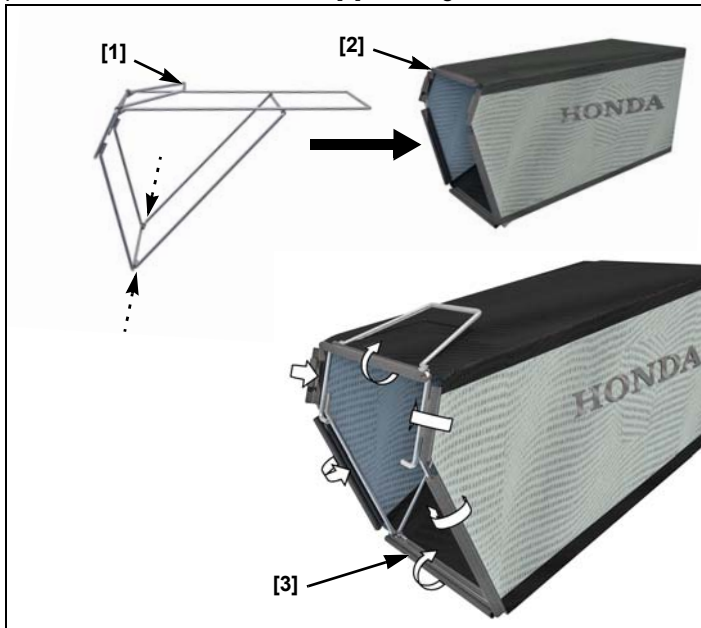
AUFBAU DES LENKGESTÄNGES

1. Die Drehknöpfe am Lenkgestänge [1] um 90 Grad in die Entriegelungsposition [2] drehen.
2. Das Lenkgestänge in die Mähposition bewegen, bis die Befestigungsbolzen mit den oberen, mittleren oder unteren Löchern der Befestigungshalterung am Lenkgestänge ausgerichtet sind.
3. Die Drehknöpfe um 90 Grad in die Verriegelungsposition [3] drehen. Die Bolzen rasten zur Verriegelung in die Löcher ein.

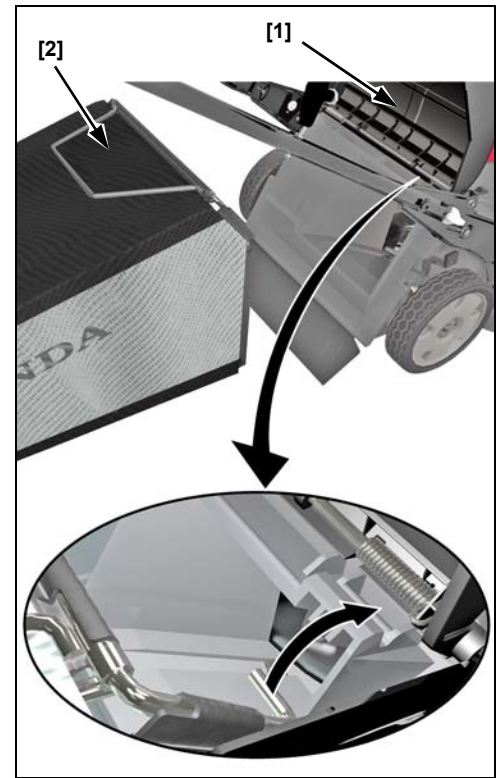


ANBRINGEN DES GRASSACKEINRICHTUNG

Führen Sie den Grassackrahmen [1] in den Grasfangeinrichtung [2] und pressen Sie die Plastikklemmen [3] wie dargestellt auf den Rahmen.



Heben Sie den Auswurfdeckel [4] an, und bringen Sie den Grasfangeinrichtung an.



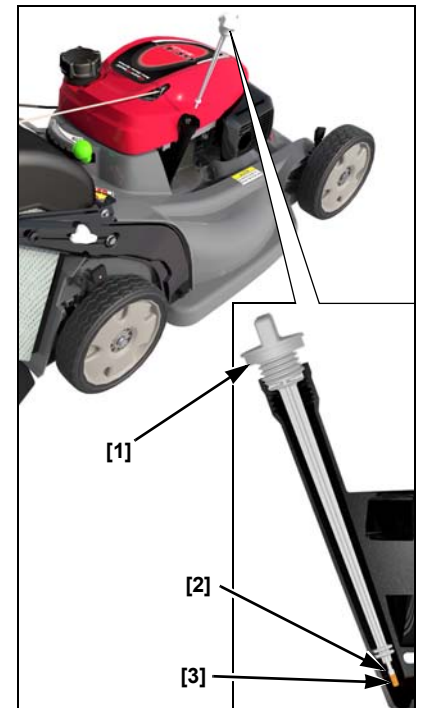
MOTORÖL

Bei der Lieferung des Mähers befindet sich **KEIN ÖL** im Motor.

SAE 10W-30 API SJ Öl hinzugefügt, bis sich der Ölstand wie dargestellt zwischen der oberen [2] und der unteren [3] Grenzmarkierung auf dem Messstab befindet.

Füllen sie in der Höhe von 0,35 bis 0,40 L wieder auf

Nicht überfüllen! Bei überfülltem Tank läuft das überschüssige Öl u.U. in das Luftfiltergehäuse und den Luftfilter.



BENZIN

Siehe Seite 7.

VOR DEM BETRIEB

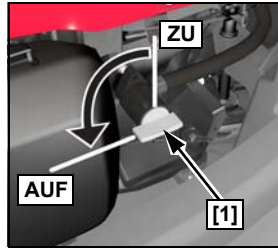
Vor der Benutzung des Rasenmäher müssen die folgenden Kapitel gelesen werden:

- **SICHERHEITSHINWEISE** (Seite 2)
- **BEDIENUNGSELEMENTE** (Seite 5)
- **KONTROLLEN VOR DER INBETRIEBNAHME** (Seite 6)
- **BETRIEB** (Seite 9)
- **WARTUNGSKALENDER** (Seite 13)

BEDIENUNGSELEMENTE

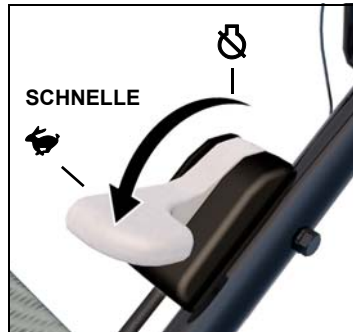
TREIBSTOFFVENTIL

Anhand des Treibstoffventils [1] wird die Verbindungsleitung zwischen Treibstofftank und Vergaser geöffnet und abgesperrt.



GASHEBEL

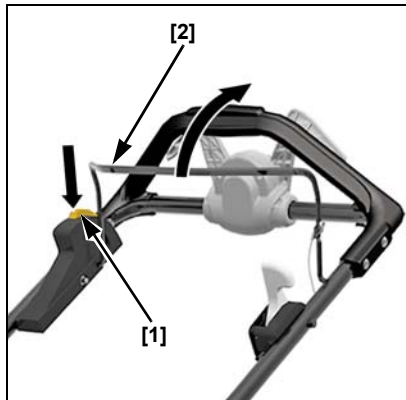
Für eine möglichst gute Schnittqualität sollte der Antriebshebel immer auf SCHNELLE Position gestellt sein. Wenn das Schneidwerkzeug mit der voreingestellten hohen Geschwindigkeit rotiert, bewirkt der dadurch entstehende starke Lüftereffekt, dass die Grashalme aufgerichtet und effektiver gekürzt werden.



Die voreingestellte SCHNELLE Motordrehzahl sollte nicht noch weiter erhöht werden, denn das Schneidwerkzeug könnte dadurch brechen und sich lösen.

STELLSYSTEM FÜR DAS SCHNEIDWERKZEUG

Vergewissern Sie sich vor dem Einschalten des Schneidwerkzeugs, dass der Motor läuft und der Antriebshebel auf SCHNELLE Geschwindigkeit gestellt ist.

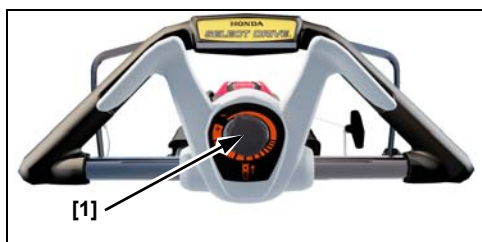


1. Halten Sie den Roto-Stop-Schalter [1] gedrückt.
2. Ziehen Sie den Stellteil für das Schneidwerkzeug [2] schnell in Holmrichtung, so dass der Motor das Schneidwerkzeug auf volle Drehzahl bringt, und lassen Sie den Roto-Stop-Schalter dann los.

Halten Sie den Stellteil für das Schneidwerkzeug weiter vor dem Holm fest, damit sich das Schneidwerkzeug weiter dreht. Halten Sie den Stellteil für das Schneidwerkzeug beim Mähen immer bis zum Anschlag gezogen fest. Vermeiden Sie eine teilausgekuppelte Stellung, denn dies verkürzt die Lebensdauer des Kupplungssystems. Lassen Sie den Stellteil für das Schneidwerkzeug los, um die Drehbewegung des Schneidwerkzeugs zu unterbrechen. Lassen Sie den Stellteil für das Schneidwerkzeug immer vor dem Starten des Motors los, damit sich das Schneidwerkzeug beim Einschalten nicht mitdreht.

SELECT-DRIVE BEDIENUNG

Drücken Sie bei laufendem Motor und eingekuppeltem Schneidwerkzeug langsam den Select Drive-Schalter [1], um den Rasenmäher vorwärts zu bewegen.



Bei normalem Betrieb halten Sie Ihre Hände ganz bequem am Holm und am Select

Drive-Schalter fest. Zur Verstärkung des Antriebs (z. B. bergauf oder durch dichtes Gras) drücken Sie den Select Drive-Schalter mit dem Daumen bis in die Vertiefung hinein.

Die Fahrgeschwindigkeit können Sie verringern, indem Sie am Select Drive-Schalter etwas nachgeben.

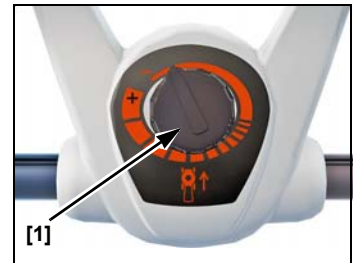
Die Fahrgeschwindigkeit ist unterschiedlich und hängt vom Gelände, der Grashöhe, der Steigung des Geländes und dem Gewicht des Grasfangbehälters ab. Um die gewünschte Fahrgeschwindigkeit bei ständig verändernden Mähbedingungen beizubehalten, können Sie den Select Drive-Schalter verstellen oder den Schalter unterschiedlich weit hineindrücken.

Wenn Sie den Select Drive-Schalter loslassen, werden die Hinterräder ausgekuppelt (angehalten).

Kuppeln Sie den Antrieb beim Mähen um Bäume und andere Hindernisse herum aus. Schieben Sie den Rasenmäher von Hand um die Hindernisse herum, um mehr Kontrolle über die Lenkung des Rasenmähers zu haben.

Select Drive-Einstellknopf einstellen

Mit dem Select Drive Einstellknopf können [1] Sie die maximale Fahrgeschwindigkeit bei voller Betätigung des Select Drive Hebels verstellen.



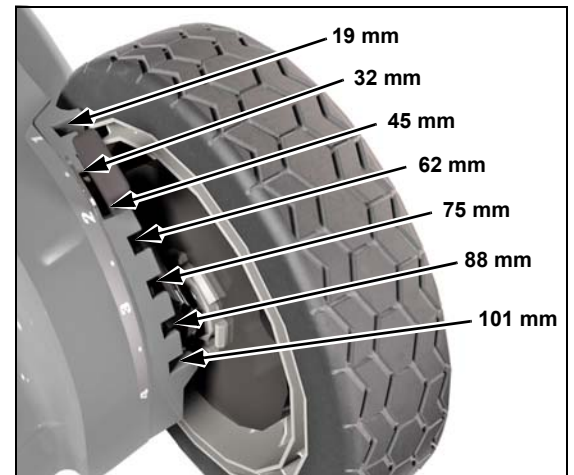
Die Geschwindigkeit kann zwischen MIN und MAX eingestellt werden. Bei vollständig betätigtem Select Drive-Hebel:

und der Einstellung **MIN** wird der Rasenmäher mit der niedrigsten Geschwindigkeit angetrieben.

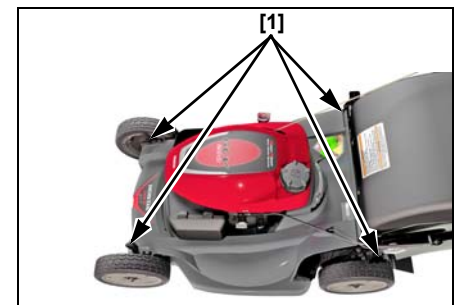
und der Einstellung **MAX** wird der Rasenmäher mit der höchsten Geschwindigkeit angetrieben.

SCHNITTHÖHEN-EINSTELLHEBEL

Es gibt sieben Höheneinstellungen für die Räder des Mähers. Bei den Schnitthöhen handelt es sich um Anhaltswerte. Die tatsächliche Schnitthöhe richtet sich nach den Rasen- und Bodenverhältnissen.



Jedes Rad ist mit einem Einstellhebel [1] versehen.



SCHNITTRICHTUNGSKNOPF

Mit dem Schnittrichtungsknopf [1] werden Mäh-Betrieb mit Grasfangeinrichtung, Mulch-Betrieb und hinterer Auswurf gesteuert. Es gibt 10 Hebeleinstellpositionen.



KONTROLLEN VOR INBETRIEBNAHME

SIND SIE SOWEIT?

Tragen Sie sichere Kleidung. Lange Hosen und Augenschutz vermindern das Verletzungsrisiko durch weggeschleuderte Gegenstände. Tragen Sie stabile und rutschfeste Schuhe für die Arbeit an Hängen und unebenen Stellen.

ÜBERPRÜFEN DES RASENS

Den Arbeitsbereich zur eigenen Sicherheit und zum Schutz anderer immer vor dem Mähen überprüfen.

Gegenstände

Alle Gegenstände, die von den Schneidmessern aufgewirbelt und weggeschleudert werden können, stellen für Sie und andere eine potentielle Gefahrenquelle dar. Steine, Stöcke, Knochen und Draht aus dem Arbeitsbereich entfernen.

Personen und Haustiere

Personen und Haustiere, die sich in der Nähe des Arbeitsbereichs aufhalten, können in den Fahrweg des Mähers oder in eine Position geraten, in der sie von einem weggeschleuderten Gegenstand getroffen werden könnten. Darauf achten, daß sich keine Personen, vor allem Kinder, und Haustiere im Arbeitsbereich aufhalten. Sie sind für deren Sicherheit verantwortlich.

Rasen

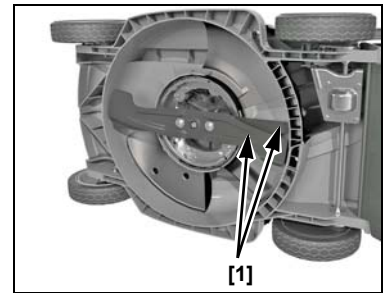
Zur Feststellung der erforderlichen Schnitthöhe und Mähgeschwindigkeit die Graslänge und den Graszustand überprüfen.

Kein nasses Gras mähen. Nasses Gras verstopft die Schneidwerkzeugabdeckung, bleibt in Klumpen auf dem Rasen liegen, bietet schlechte Bodenhaftung und erhöht somit die Gefahr, daß Sie ausrutschen.

ÜBERPRÜFEN DES RASENMÄHERS

Schneidwerkzeug

1. Den Gashebel auf STOPP stellen.
2. Das Treibstoffventil absperren (auf OFF stellen).
3. Die Zündkerzenkappe von der Zündkerze abnehmen (Seite 14).
4. Den Rasenmäher auf die rechte Seite legen, so daß der Vergaser oben ist. Somit werden ein Auslaufen des Treibstoffs und spätere Startschwierigkeiten verhindert.
5. Die Schneidwerkzeug auf Schäden [1], Risse und starken Rost oder Fraß untersuchen.



⚠️ WARNUNG

Ein abgenutztes, gerissenes oder anderweitig beschädigtes Schneidwerkzeug kann zerbrechen, wodurch Bruchstücke aus dem Rasenmäher geschleudert werden können.

Weggeschleuderte Gegenstände können schwere Verletzungen verursachen.

Das Schneidwerkzeug regelmäßig überprüfen und den Rasenmäher nicht mit einem abgenutzten oder beschädigten Schneidwerkzeug verwenden.

Ein stumpfes Schneidwerkzeug kann geschliffen werden. Ein abgenutztes, verbogenes, gerissenes oder anderweitig beschädigtes Schneidwerkzeug muß ausgewechselt werden. Ein abgenutztes oder beschädigtes Schneidwerkzeug kann zerbrechen, wodurch Bruchstücke aus dem Rasenmäher geschleudert werden können.

Wenn ein Schneidwerkzeug geschliffen oder ausgewechselt werden muß, den Rasenmäher zu einem autorisierten Honda-Händler bringen. Wenn Sie einen Drehmomentschlüssel haben, können Sie das/die Schneidwerkzeug selbst aus- und einbauen.

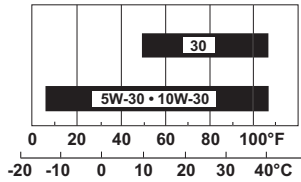
Überprüfen, ob die Befestigungsschrauben der Schneidwerkzeug fest angezogen sind (Seite 16).

Ölstand

Den Ölstand bei abgestelltem Motor und auf einer ebenen Fläche überprüfen.

Motoröl für 4-Takt-Motoren verwenden, das die Anforderungen gemäß API-Wartungsklassifikation SJ oder einer entsprechenden Norm erfüllt. Immer die API-Wartungsmarke auf dem Ölbehälter kontrollieren, um sicherzustellen, daß die Buchstaben SJ oder eine gleichwertige Norm angegeben sind.

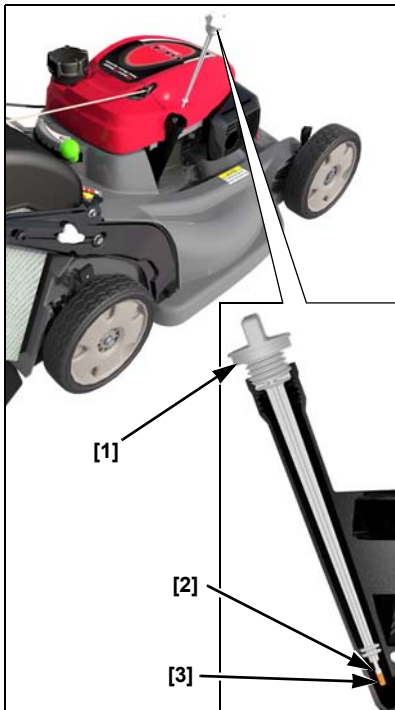
Für den allgemeinen Betrieb wird Motoröl SAE 10W-30 empfohlen. Motoröl mit einer anderen Viskosität (siehe untenstehende Tabelle) kann verwendet werden, wenn die durchschnittlichen Temperaturen an Ihrem Wohnort im angegebenen Bereich liegen.



ZUR BEACHTUNG

- Die Benutzung des Motors bei niedrigem Ölstand kann zu Motorschäden führen.
- Die Verwendung von nicht waschaktivem Öl kann die Lebensdauer des Motors verringern. Die Verwendung von Motoröl für 2-Takt-Motoren kann einen Motorschaden zur Folge haben.

1. Den Öltankverschluß/Meßstab [1] herausrauben und den Meßstab abwischen.
2. Den Meßstab in den Einfüllstutzen stecken. Nicht zuschrauben. Den Ölstand auf dem Meßstab ablesen.
3. Wenn der Ölspiegel in der Nähe der Minimum-Marke [3] liegt, das empfohlene Öl nachfüllen, bis der Ölspiegel die Maximum-Marke [2] erreicht. Nicht überfüllen.
4. Den Öltankverschluß/Meßstab [1] wieder einführen und zuschrauben.



Benzin

Dieser Motor ist auf bleifreies Benzin mit einer Research-Oktananzahl von 91 oder höher ausgelegt.

Wir empfehlen Ihnen, nach jedem Gebrauch wieder vollzutanken, damit möglichst wenig Luft im Kraftstofftank ist.

Vor dem Anlassen des Motors in einem gut belüfteten Bereich nachtanken. Einen warmen Motor vor dem Nachtanken abkühlen lassen. Den Rasenmäher nie in einem Raum auftanken, in dem Benzindämpfe durch eine offene Flamme oder Funken entzündet werden könnten.

Sie können unverbleites Normal-Benzin, welches maximal 10 Volumprozent Äthanol (E10) oder 5 Volumprozent Methanol enthält, verwenden. Zusätzlich muss das Methanol Cosolvent-Lösemittel und Korrosions-Hemmstoffe enthalten. Die Verwendung von Treibstoffen mit mehr als den oben angegebenen Äthanol- und Methanol-Anteilen kann Startschwierigkeiten und eine Leistungsverminderung verursachen. Es können auch Metall-, Gummi- und Kunststoffteile des Treibstoffsystems beschädigt werden. Davon abgesehen ist Ethanol

hygroskopisch. Das bedeutet, es zieht Wasser an und bindet es im Kraftstoffsystem. Motorschäden und Leistungsverminderung auf Grund der Verwendung eines Treibstoffs mit mehr als den oben angegebenen Äthanol- und Methanol-Anteilen sind nicht durch die Garantie abgedeckt.

Wenn Ihr Gerät nicht häufig oder episodisch genutzt werden soll, (über 4 Wochen Nutzungspause) lesen Sie bitte die Angaben zur Qualitätsminderung von Kraftstoff im Abschnitt Kraftstoff des Kapitels LAGERUNG (Seite 17).

⚠️ WARNUNG

Benzin ist extrem feuergefährlich und explosiv.

Sie können sich beim Tanken Verbrennungen oder schwere Verletzungen zuziehen.

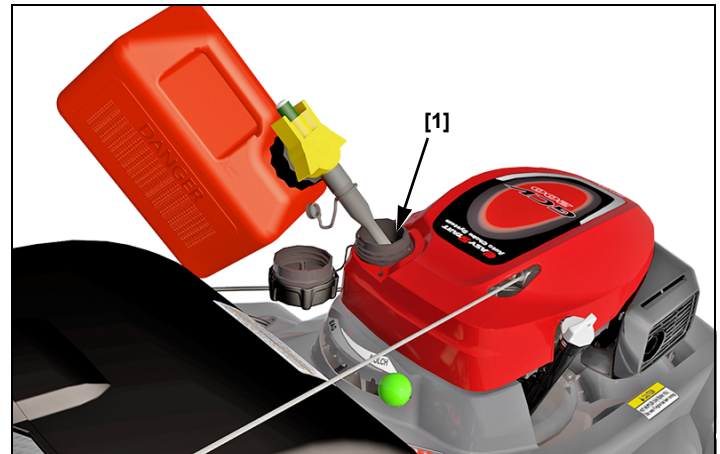
- Den Motor abstellen und Hitze, Funken oder Flammen meiden.
- Nur im Freien nachtanken.
- Ausgeschüttetes Benzin sofort aufwischen.

Niemals altes oder verschmutztes Benzin oder ein Öl-Benzin-Gemisch verwenden. Darauf achten, daß kein Schmutz oder Wasser in den Tank gelangt.

ZUR BEACHTUNG

Benzin kann Farbe und Kunststoff beschädigen. Darauf achten, daß beim Nachtanken kein Benzin verschüttet wird. Schäden, die durch verschüttetes Benzin entstehen, fallen nicht unter die Garantie.

Tankverschluß abschrauben und Benzinstand kontrollieren. Wenn der Benzinstand niedrig ist, nachtanken. Vorsichtig nachfüllen, damit kein Benzin verschüttet wird. Nicht überfüllen. Im Einfüllstutzen [1] sollte sich kein Benzin befinden. Tankverschluß nach dem Tanken fest zuschrauben.



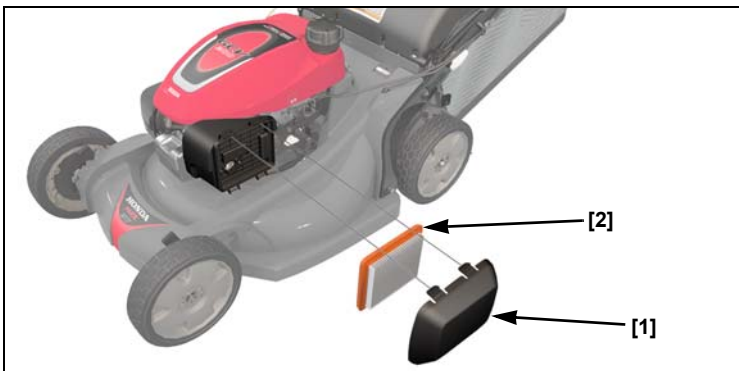
Den Rasenmäher vor dem Anlassen des Motors mindestens 3 Meter von der Kraftstoffquelle wegbewegen.

Kraftstoffbehälter

Lagern Sie den Kraftstoff in einem sauberen und dicht verschlossenen Behälter, der für die Kraftstofflagerung zugelassen ist. Schließen Sie die Entlüftung (sofern vorgesehen), wenn kein Kraftstoff verwendet wird, und bewahren Sie den Behälter vor direktem Sonnenlicht geschützt auf. Wenn es mehr als 3 Monate dauert, bis der gesamte Kraftstoff im Behälter verbraucht ist, raten wir dazu, einen Kraftstoffstabilisator in den Kraftstoff zu geben, wenn der Behälter aufgefüllt wird.

Kontrolle des Luftfilters

Entfernen Sie die Abdeckung [1]. Stellen Sie sicher, daß der Luftfilter [2] sauber und in gutem Zustand ist. Durch einen verschmutzten Luftfilter gelangt nicht genügend Luft zum Vergaser, wodurch die Motorleistung beeinträchtigt wird. Die Reinigung des Luftfilters wird auf Seite 14 beschrieben.



Höheneinstellung des Lenkgestänges

Die Lenkerhöhe bequem einstellen (Seite 4).

Grasfangeinrichtung

Ein Rasenmäher funktioniert wie ein Staubsauger. Er bläst Luft durch den Sack, der das Schnittgut auffängt. Den Grasfangeinrichtung immer ausleeren, bevor er ganz gefüllt ist. Wenn der Sack zu etwa 90% gefüllt ist, verringert sich die Leistung beim Mähen mit dem Grasfangeinrichtung. Außerdem ist es leichter, den Sack auszuleeren, wenn er nicht ganz voll ist.

Kontrolle

Das Material des Grasfangsacks ist im normalen Gebrauch Verschleiß und Alterung ausgesetzt.

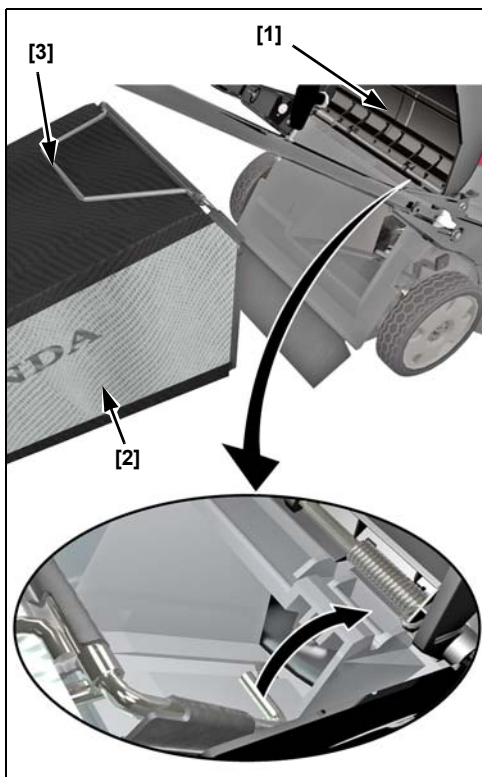
ZUR BEACHTUNG

Der Grasfangeinrichtung unterliegt auch bei normalem Betrieb einem gewissen Verschleiß und muß schließlich ausgewechselt werden.

Einen auszutauschenden Grasfangsack können Sie selbst ausbauen und einbauen (Seite 16).

Anbringen

1. Den Auswurfdeckel [1] anheben, den Sackbügel [3] ergreifen und den Grasfangeinrichtung [2] wie dargestellt an der Schneidwerkzeuga bdeckung einhaken.
2. Den Auswurfdeckel loslassen, um den Grasfangeinrichtung zu sichern.



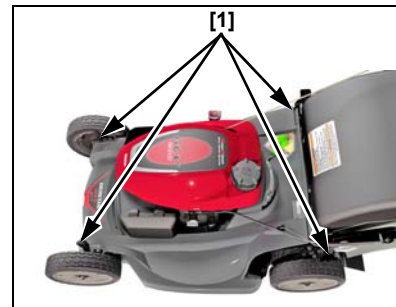
Abnehmen

1. Den Auswurfdeckel anheben, den Sackbügel ergreifen und den Grasfangeinrichtung abnehmen.
2. Den Auswurfdeckel loslassen.

3. Wenn der Auswurfdeckel vom Grasfangeinrichtung abgenommen wurde, kann der Sack durch die Öffnung zwischen dem Lenkgestänge herausgehoben oder nach hinten unter dem Lenkgestänge herausgezogen werden.

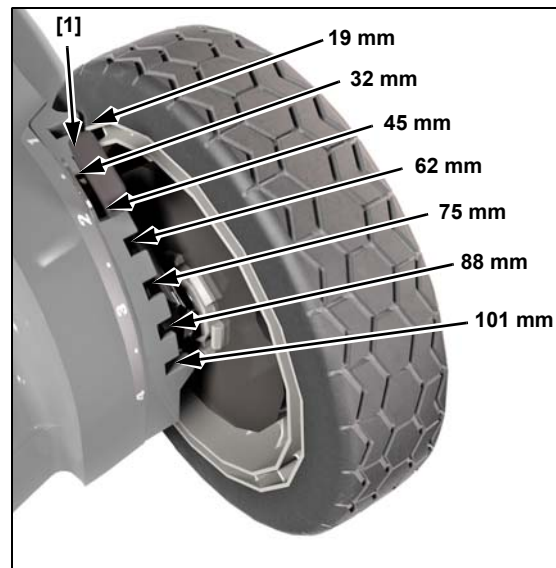
Schnitthöhe

Die Schnitthöhereinstellung der Schneidwerkzeuga bdeckung überprüfen, um sicherzustellen, daß alle vier Einstellhebel [1] auf dieselbe Schnitthöhe eingestellt sind.



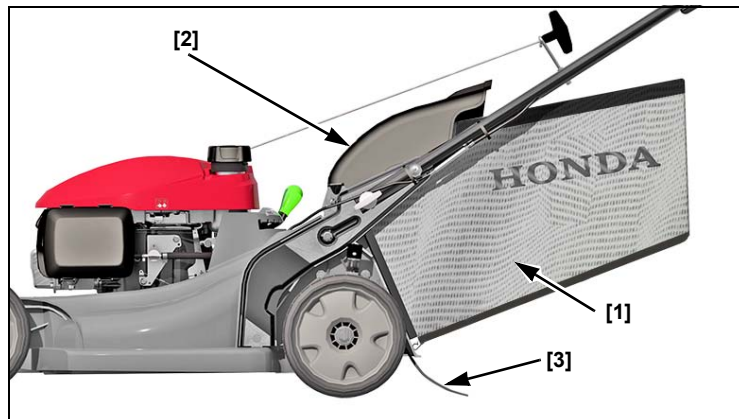
Zur Einstellung der Schnitthöhe jeden Einstellhebel [1] zum Rad ziehen und in einer anderen Einkerbung einrasten lassen.

Wenn Sie nicht genau wissen, welche Schnitthöhe sich am besten eignet, mit einer hohen Einstellung beginnen und nach dem Mähen eines kleinen Bereichs kontrollieren, wie der Rasen aussieht. Die Schnitthöhe im Bedarfsfall verstellen.



HINTERES LEITBLECH

Auch bei normaler Benutzung unterliegt das hintere Leitblech [3] Alterung und Verschleiß. Den Grasfangsack [1] abnehmen und den Auswurfdeckel [2] anheben, um das hintere Leitblech auf Risse und andere Schäden zu untersuchen. Bei übermäßiger Abnutzung das hintere Leitblech [3] von Ihrem autorisierten Honda-Händler austauschen lassen.

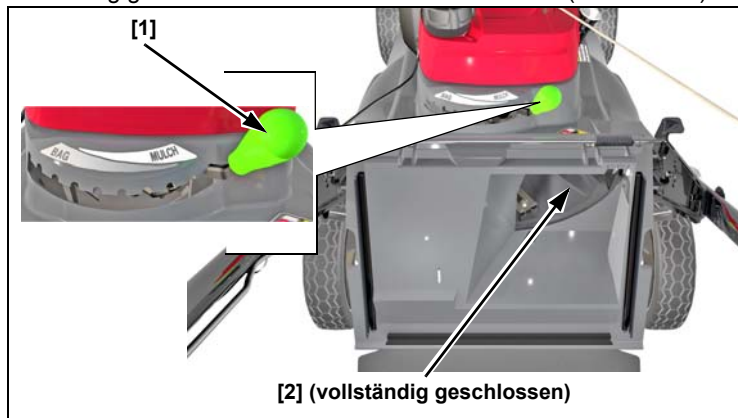


Schnittrichtung

Einstellung des Schnittrichtungsknopfs

Stellen Sie den Schnittrichtungsknopf [1] in eine der 10 Positionen, je nach gewünschtem Mähergebnis.

Zur Einstellung den Knopf nach unten und zur Hinterseite des Mähers ziehen. Durch den Knopf wird eine Schiebetür [2] in einer Position zwischen der vollständig geöffneten Position BAG (SACK) und der vollständig geschlossenen Position MULCH arretiert (siehe unten).



Wird das Hin- und Herbewegen des Schnittrichtungsknopfs schwierig, hat sich möglicherweise auf der Schiebetür zu viel Gras angesammelt.

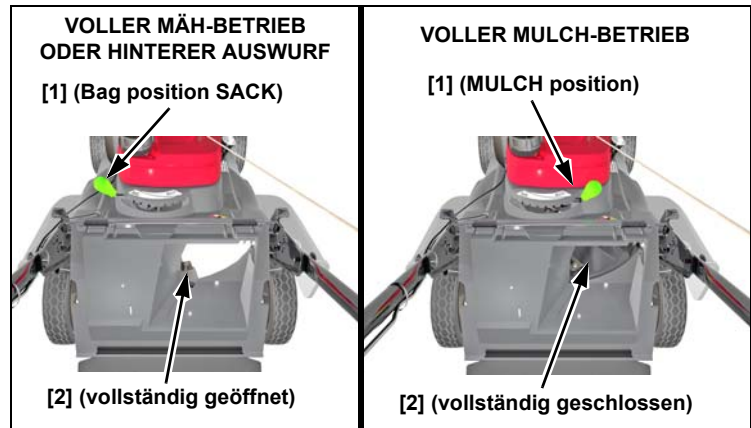
Es ist normal, dass sich bei ganz geschlossenem Schnittrichtungsknopf in der Auswurföffnung etwas Gras sammelt. Um dieses Gras auszuwerfen, schließen Sie den Auswurfdeckel, öffnen den Schnittrichtungsknopf ganz, starten den Motor und kuppeln mehrmals den Messerbedienhebel ein.

Wichtiger Sicherheitshinweis

Vor dem Anheben des Auswurfdeckels zum Einsehen oder Reinigen der Schiebetür muss stets der Motor ausgeschaltet und der Zündkerzenstecker herausgedreht werden. Dadurch wird der Kontakt zu den sich drehenden Messern unterbrochen und es werden keine Gegenstände in den Auswurfbereich geschleudert.

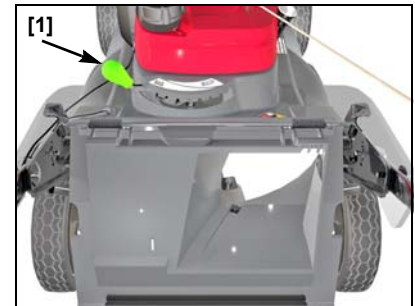
Position der Schiebetür

Je nach gewünschtem Mähergebnis kann die Schiebetür [2] verschiedenartig positioniert werden. Ist die gewünschte Position der Schiebetür unklar, den Grasfangeinrichtung einsetzen und den Schnittrichtungsknopf [1] auf Position BAG (SACK) stellen. Mähen, und den Rasen überprüfen. Je weiter der Knopf in Richtung MULCH gestellt wird, desto mehr Gras wird auf den Rasen zurückgeworfen. Den Richtungsknopf feststellen, wenn das gewünschte Ergebnis erreicht wurde.



Hinterer Auswurf

Soll das Schnittgut an der Hinterseite ausgeworfen werden, den Grasfangeinrichtung herausnehmen und den Schnittrichtungsknopf [1] im Bereich BAG (SACK) feststellen.



Ein maximaler Auswurf an der Hinterseite wird gewährleistet, wenn der Schnittrichtungsknopf ganz nach links in die Position BAG (SACK) gestellt wird. Je weiter der Schnittrichtungsknopf nach rechts (MULCH) bewegt wird, desto weniger Gras wird durch den hinteren Auswurfdeckel ausgeworfen.



BETRIEB

VORSICHTSMASSNAHMEN BEIM MÄHEN

Vor der erstmaligen Verwendung des Rasenmähers Kapitel *SICHERHEITSHINWEISE* (Seite 2) and *KONTROLLEN VOR DER INBETRIEBNAHME* (Seite 6).

Auch wenn Sie schon andere Rasenmäher verwendet haben, machen Sie sich mit der Funktionsweise dieses Rasenmähers vertraut, und üben Sie in einem sicheren Bereich, bis Sie mit diesem Gerät richtig umgehen können.

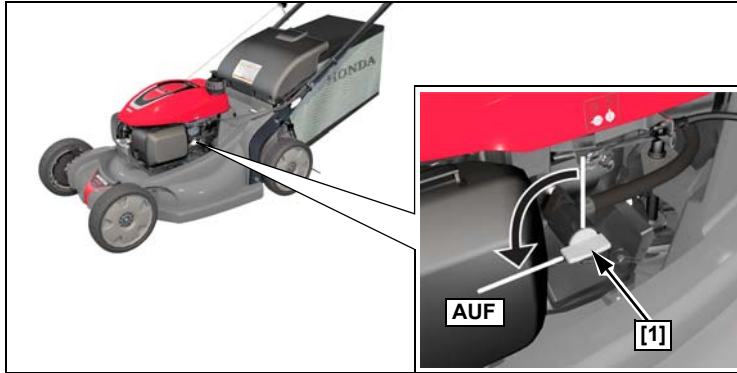
Aus Sicherheitsgründen den Motor nicht in einem abgeschlossenen Raum wie einer Garage anwerfen oder laufen lassen. Die Auspuffgase enthalten giftiges Kohlenmonoxid, das in einem abgeschlossenen Raum innerhalb kürzester Zeit eine gesundheitsschädigende oder tödliche Konzentration erreichen kann.

NUTZUNGSHÄUFIGKEIT

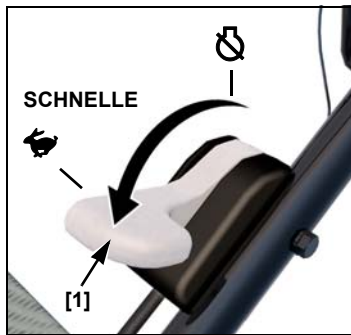
Wenn der Rasenmäher nicht so häufig oder nur zwischendurch benutzt wird (mehr als 4 Wochen Pause nach dem letzten Rasenmähen), sind die Hinweise bezüglich der Kraftstoff-Qualitätseinbußen zu beachten, die im Kapitel *LAGERUNG* (Seite 17) im Abschnitt Kraftstoff zu finden sind.

ANLASSEN DES MOTORS

1. Das Treibstoffventil [1] öffnen (auf ON stellen).



2. Bringen Sie den Gashebel [1] in die Stellung SCHNELL (↻).



3. Leicht am Griff des Starterseilzugs ziehen, bis Widerstand zu spüren ist. Dann fest anziehen. Anschließend den Griff des Starterseilzugs langsam wieder bis zum Anschlag zurückführen.

Um zu verhindern, daß sich die Schneidwerkzeug drehen und sich der Rasenmäher nach vorne bewegt, bei der Betätigung des Starterseilzugs den Messerkupplungsbügel und den Fahrkupplungsbügel immer loslassen

4. Den Gashebel [1] zum Mähen in die Stellung „Schnell“ (↻) und im Leerlauf in die Stellung „Langsam“ (↷) schieben.

Lassen Sie den Motor nach einem Kaltstart und vor dem Abschalten mindestens drei Minuten lang laufen, um ein einfaches Wiederanlassen und maximale Leistungsfähigkeit des Auto Choke System zu gewährleisten. Bei Temperaturen unter 21°C verlängert sich diese Mindestlaufzeit.

Betrieb in großer Höhe

In großer Höhe ist das von einem normalen Vergaser erzeugte Luft-Benzin-Gemisch zu fett. Die Motorleistung wird schwächer, und der Benzinverbrauch steigt. Ein zu fettes Gemisch verrußt die Zündkerze und verursacht Startschwierigkeiten.

Die Leistung in großer Höhe kann durch eine spezielle Vergaseränderung verbessert werden. Wenn Sie Ihren Rasenmäher immer in einer Höhe über 1.500 m verwenden, lassen Sie Ihren Honda-Händler die Vergaseränderung vornehmen.

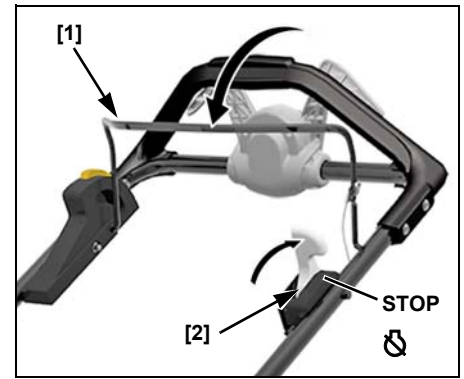
Selbst bei Vornahme der Vergaseränderung nimmt die PS-Leistung pro 300 Höhenmeter um 3,5% ab. Wenn keine Vergaseränderung vorgenommen wird, nimmt die PS-Leistung bei zunehmender Höhe noch stärker ab.

ZUR BEACHTUNG

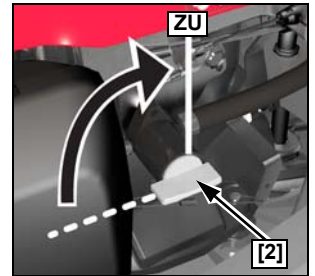
Wenn am Vergaser für einen Betrieb in großer Höhe Änderungen vorgenommen wurden, ist das Luft-Benzin-Gemisch für normale Lagen zu mager. Ein Betrieb mit verändertem Vergaser in Höhen unter 1.500 m kann eine Überhitzung des Motors und einen schweren Motorschaden zur Folge haben. Lassen Sie den Vergaser für einen Betrieb in normalen Lagen von Ihrem Honda-Händler wieder in den Originalzustand versetzen.

ABSTELLEN DES MOTORS

1. Messer Kupplungsbügel [1] loslassen.
2. Den Gashebel [2] in die Position STOP drehen.



3. Wenn der Rasenmäher nicht gebraucht wird, das Treibstoffventil absperren (auf OFF stellen).
4. Wenn der Rasenmäher 3 bis 4 Wochen lang nicht benutzt wird, empfehlen wir, den Vergaser am Motor laufen zu lassen, bis sämtlicher Kraftstoff verbraucht ist. Dazu lassen Sie das Kraftstoffventil zuge dreht, starten den Motor und lassen ihn laufen, bis sämtlicher Kraftstoff verbraucht ist. Bei einer Pause von mehr als 4 Wochen lesen Sie bitte das Kapitel LAGERUNG (Seite 17).



SICHERES MÄHEN

Aus Sicherheitsgründen immer darauf achten, daß alle vier Räder am Boden aufliegen. Immer auf einen sicheren Stand achten und die Kontrolle über den Rasenmäher bewahren. Beim Mähen das Lenkgestänge fest anfassen und langsam gehen. Niemals laufen. Beim Mähen auf unebenem Boden immer äußerste Vorsicht walten lassen.

Wenn der Rasenmäher steckenbleibt, nicht gegen den Mäher treten oder versuchen, ihn mit dem Fuß anzuschieben. Den Rasenmäher mit dem Lenkgestänge steuern.

⚠ GEFAHR

Die Schneidmittel sind scharf und drehen sich mit hoher Geschwindigkeit. Wenn Sie in Kontakt mit einer Spinn kommen Schneidmittel, wird es Ihnen schwer schneiden und Finger und Zehen amputiert werden.

- Feste Schuhe tragen.
- Darauf achten, daß Sie mit den Händen und Füßen nicht in die Nähe der Schneidwerkzeugabdeckung geraten, wenn der Motor läuft.
- Den Motor zur Vornahme von Einstellungen, zur Kontrolle und zur Wartung abstellen.

Abhänge

Immer quer zum Abhang mähen, und nicht nach oben oder nach unten. Nicht auf steilen Abhängen (über 20° Gefälle) mähen, und beim Wenden besondere Vorsicht walten lassen. Wenn Sie auf einem Abhang mähen und das Gras feucht oder naß ist, könnten Sie ausrutschen, hinfallen und die Kontrolle über den Rasenmäher verlieren.



Hindernisse

Wenn Sie in der Nähe von großen Hindernissen, wie beispielsweise

Zäunen oder Mauern mähen, mit dem Rasenmäher seitlich am Hindernis entlangfahren.

Den Fahrkupplungsbügel beim Mähen rund um einen Baum oder ein anderes Hindernis loslassen, um den Antrieb auszukuppeln. Den Rasenmäher um Hindernisse schieben, um die Manövrierfähigkeit zu erhöhen. Beim Mähen über Hindernissen im Rasen, wie beispielsweise Bewässerungsdüsen, Pflastersteinen, Einfassungen usw., besondere Vorsicht walten lassen. Nicht über Gegenstände fahren, die über die Rasenoberfläche herausragen.

Wenn das Schneidwerkzeug mit einem harten Gegenstand in Berührung kommt oder der Rasenmäher stark zu vibrieren beginnt, den Motor sofort abstellen und das Gerät auf Schäden überprüfen. Harte Gegenstände können das Schneidwerkzeug beschädigen, die Kurbelwelle verbiegen und/oder die Schneidwerkzeugabdeckung oder andere Bestandteile zerbrechen. Vibration weist normalerweise auf ein schwerwiegendes Problem hin..

WARNUNG

Ein abgenutztes, gerissenes oder anderweitig beschädigtes Schneidwerkzeug kann zerbrechen, wodurch Bruchstücke aus dem Rasenmäher geschleudert werden können.

Weggeschleuderte Gegenstände können schwere Verletzungen verursachen.

Das Schneidwerkzeug regelmäßig überprüfen und den Rasenmäher nicht mit einem abgenutzten oder beschädigten Schneidwerkzeug verwenden.

Durch Unfälle oder Kollisionen verursachte Schäden fallen nicht unter die beschränkte Garantie.

Kies und lose Gegenstände

Kies, lose Steine und andere zur Gartenverschönerung verwendete Materialien können vom Rasenmäher aufgewirbelt und mit solcher Wucht mehrere Meter weit durch die Luft geschleudert werden, daß sie schwere Verletzungen und/oder Sachschäden verursachen. Zur Verhinderung von Verletzungen durch weggeschleuderte Gegenstände empfiehlt es sich, das Schneidwerkzeug durch Loslassen des Messerkupplungsbügels auszukuppeln, bevor Sie mit dem Rasenmäher über Kies, lose Steine oder andere lose Materialien fahren.

MAHTIPS

Wann soll gemäht werden

Die meisten Grasarten sollten dann gemäht werden, wenn sie 12 bis 25 mm über die empfohlene Grashöhe gewachsen sind.

Zur Erzielung optimaler Ergebnisse im Mulch-Betrieb den Rasen öfter mähen als bei Verwendung des Grasfangeinrichtung. Während der Wachstumsperiode muß der Rasen möglicherweise zweimal pro Woche gemäht werden.

Schnitthöhe

Lokale Gärtnereien oder Gartenzentren erteilen Ratschläge über Schnitthöhe, besondere Grasarten und Wachstumsbedingungen für die jeweiligen Gebiete.

Bei genauerem Betrachten der meisten Grassorten stellt man fest, daß ein Grashalm einen Stiel und Blätter hat. Werden die Blätter abgeschnitten, wird der Rasen „skalpiert“. Das Gras muß sich zwischen den einzelnen Mähvorgängen erholen können. Ihr Rasenmäher funktioniert besser, und Ihr Rasen sieht auch besser aus.

Wenn das Gras zu hoch ist, zuerst mit der größten Schnitthöhen-Einstellung mähen. Nach 2 oder 3 Tagen erneut



LANG GENUG



ZU KURZ

mähen. Das Gras bei einem Mähvorgang um nicht mehr als ein Drittel seiner Gesamthöhe kürzen, da sonst braune Stellen entstehen können.

Die Einstellung der Schnitthöhen-Einstellhebel wird im Kapitel „BEDIENUNGSELEMENTE“ erklärt (Seite 5).

Schnittbreite

Um eine gleichmäßige Rasenoberfläche zu erzielen, jeden Mähstreifen um einige Zentimeter überschneiden. Wenn das Gras sehr hoch oder dick ist, muß ein breiterer Streifen überschritten und ein engerer Mähstreifen gewählt werden.

Drehgeschwindigkeit des Schneidmessers

Das Schneidwerkzeug muß sich sehr schnell drehen, um eine gute Schnittqualität zu erzielen. Deshalb den Gashebel immer in der Stellung „Schnell“ belassen und den Motor bei maximaler Drehzahl laufen lassen.

Wenn die Motordrehzahl absinkt, könnte der Motor überlastet sein, da das Schneidwerkzeug zu viel Gras auf einmal schneidet. Einen engeren Mähstreifen wählen, die Fahrgeschwindigkeit des Rasenmähers verringern oder die Schnitthöhe anheben.

Schneidmessers

Ein scharfes Schneidwerkzeug schneidet sauber. Ein stumpfes Schneidwerkzeug reißt das Gras ab, wobei die zerrissenen Enden dann braun werden. Wenn Ihr Schneidwerkzeug nicht mehr sauber schneidet, muß es geschärft oder ersetzt werden.

Trockenes Gras

Wenn der Boden zu trocken ist, wird durch das Mähen viel Staub aufgewirbelt. Dadurch wird das Mähen unangenehm, und zu viel Staub verstopft den Luftfilter des Vergasers.

Falls Staub ein Problem darstellt, sollte der Rasen einen Tag vor dem Mähen gegossen werden. Wenn sich das Gras trocken anfühlt, der Boden jedoch noch feucht ist, kann gemäht werden.

Nasses Gras

Nasses Gras ist rutschig, und Sie können ausgleiten. Außerdem verstopft nasses Schnittgut die Schneidwerkzeugabdeckung und bleibt in Klumpen auf dem Rasen liegen. Es wird daher empfohlen, erst dann zu mähen, wenn das Gras trocken ist.

Laub

Sie können mit Ihrem Rasenmäher Laub aufsammeln. Wenn Sie Ihren Rasenmäher zum Aufsammeln von großen Laubmengen und nicht zum Mähen verwenden, müssen die Schnitthöhen-Einstellhebel so eingestellt werden, dass die Vorderseite der Schneidwerkzeugabdeckung um eine bis zwei Einstellungen höher als die Hinterseite ist. Stellen Sie dazu den Schnittrichtungshebel in Position 9 (kurz vor dem vollständigen Mulch-Betrieb). Bei dieser Einstellung zirkuliert das Laub erneut und wird in kleine Teile zerschnitten, die durch die Schiebetüröffnung in den Grasfangeinrichtung gelangen. Je nach Größe, Art und Wassergehalt des Laubs ist es u. U. erforderlich, die Schiebetür zu öffnen, um einen optimalen Mäh-Betrieb mit Grasfangeinrichtung zu erreichen. Eine korrekte Verwendung der Schiebetür ermöglicht eine bessere Grassackfüllung und dadurch weniger Entleerungen. Achten Sie darauf, dass sich unter den Blättern keine Hindernisse, einschließlich Steinen, befinden.

Soll auf dem Rasen vorhandenes Laub im Mulch-Betrieb kleingeschnitten werden, nicht warten, bis sich zu viel Laub angesammelt hat. Zur Erzielung optimaler Ergebnisse empfehlen wir den Einsatz des Mulch-Mähers, wenn das Gras noch durch die Laubdecke ragt. An Stellen, die völlig mit Laub bedeckt sind, das Laub zusammenharken und entfernen, oder den Grasfangeinrichtung einsetzen, und das Gras mit dem Rasenmäher aufsammeln und entsorgen. Den Schnittrichtungshebel in die Position MULCH stellen.

Wenn die Schneidwerkzeugabdeckung verstopft ist

Vor dem Säubern einer verstopften Schneidwerkzeugabdeckung den Motor abstellen und das Treibstoffventil absperren (auf OFF stellen).

Den Zündkerzenstecker abziehen und den Mäher zur Seite kippen, damit die Seite mit dem Vergaser oben liegt.

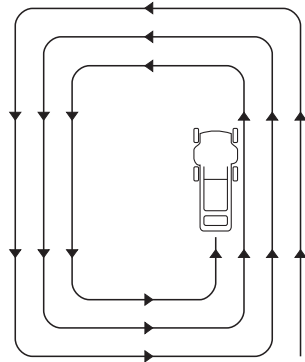
Das Schnittgut mit einem Stock und nicht mit der Hand aus der verstopften Schneidwerkzeugabdeckung entfernen.

Mährichtung

Ihr Honda-Rasenmäher erbringt die besten Leistungen, wenn Sie die nachstehend beschriebenen Mährichtungen so weit wie möglich befolgen. Aufgrund der Konstruktion der Schneidwerkzeugabdeckung und des Rasenmähers und der Drehrichtung des Schneidmessers erbringen diese Mährichtungen die besten Ergebnisse.

Mulch-Betrieb

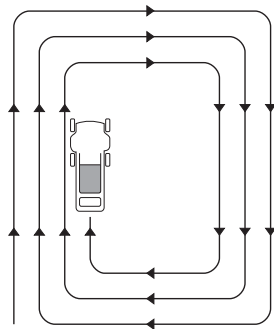
Im Gegenuhrzeigersinn mähen, wenn sich der Schnittrichtungshebel in der Position MULCH befindet. Weist die Rasenfläche eine unregelmäßige Form oder zahlreiche Hindernisse auf, sollte die Fläche in Abschnitte eingeteilt werden, die gegen den Uhrzeigersinn gemäht werden können.



MÄHRICHTUNG BEIM
MULCH-BETRIEB

Mähen mit Grasfangeinrichtung

Im Uhrzeigersinn mähen. Das erbringt die besten Ergebnisse bei der Schnittrichtung und beim Mähen mit Grasfangeinrichtung und hinterlässt die geringste Menge an Schnittgut auf dem Rasen.



MÄHRICHTUNG BEI
VERWENDUNG DES
GRASFANGEINRICHTUNGS BZW.

Mähen unter Verwendung des hinteren Auswurfdeckels

Den Grasfangeinrichtung herausnehmen und den Auswurfdeckel schließen. Den Schnittrichtungshebel in die gewünschte Einstellung stellen und im Uhrzeigersinn mähen. Weist die Rasenfläche eine unregelmäßige Form oder viele Hindernisse auf, sollte sie in Abschnitte eingeteilt werden.

WARTUNG

BEDEUTUNG DER WARTUNG

Regelmäßige Wartung ist die beste Garantie für einen sicheren, wirtschaftlichen und störungsfreien Betrieb. Durch Wartung wird auch die Luftverschmutzung verringert.

Damit Sie Ihren Rasenmäher sachgemäß warten können, finden Sie auf den folgenden Seiten einen Wartungskalender sowie eine Beschreibung der routinemäßigen Kontrollen und einfacher Wartungsarbeiten, die mit herkömmlichen Handwerkzeugen ausgeführt werden können. Andere Wartungsarbeiten, die komplizierter sind oder Spezialwerkzeuge erfordern, sollten von Fachleuten wie einem Honda-Mechaniker oder einem anderen qualifizierten Mechaniker durchgeführt werden.

Der Wartungskalender gilt für normale Betriebsbedingungen. Wenn der Rasenmäher unter außergewöhnlichen Bedingungen betrieben wird, lassen Sie sich von einem Honda-Händler über geeignete Maßnahmen für Ihre speziellen Anforderungen beraten.

Bedenken Sie, daß Ihr Honda-Händler den Rasenmäher so gut wie kein anderer kennt und für Wartungs- und Reparaturarbeiten bestens ausgestattet ist.

Zur Gewährleistung höchster Qualität und Zuverlässigkeit beim Durchführen von Reparaturarbeiten und Auswechseln von Teilen nur neue Originalteile von Honda oder gleichwertige Teile verwenden.

⚠️ WARNUNG

Unsachgemäße Wartung oder das Versäumnis, ein Problem vor dem Betrieb zu beheben, kann ein Versagen des Rasenmähers zur Folge haben, durch das Sie sich schwere oder tödliche Verletzungen zuziehen können.

Die Kontroll- und Wartungsempfehlungen und den Wartungskalender dieser Bedienungsanleitung immer einhalten.

Sicherheitshinweise Für Die Wartung

Es folgen einige der wichtigsten Vorsichtsmaßnahmen. Wir können Sie jedoch nicht vor jeder nur erdenklichen Gefahr warnen, die bei der Durchführung von Wartungsarbeiten entstehen kann. Nur Sie selbst können entscheiden, ob Sie in der Lage sind, die jeweiligen Arbeiten durchzuführen.

⚠️ WARNUNG

Wenn Sie die Sicherheitshinweise und Vorsichtsmaßnahmen nicht befolgen, können Sie sich schwere oder tödliche Verletzungen zuziehen.

Befolgen Sie die in dieser Bedienungsanleitung beschriebenen Verfahren und Vorsichtsmaßnahmen immer.

Vorsichtsmaßnahmen

- Vor der Durchführung von Wartungs- oder Reparaturarbeiten sicherstellen, daß der Motor abgestellt ist. Dadurch werden einige potentielle Gefahren vermieden:
 - **Kohlenmonoxidvergiftung durch Abgase**
Beim Betrieb des Motors immer darauf achten, daß der Bereich gut belüftet ist.
 - **Verbrennungen durch heiße Teile**
Den Motor und die Auspuffanlage vor dem Berühren abkühlen lassen.
 - **Verletzung durch sich bewegende Teile**
Den Motor nur dann laufen lassen, wenn dies aufgrund der Sicherheitshinweise erforderlich ist.
- Die Anleitungen vor der Inangriffnahme von Wartungsarbeiten lesen, und die Arbeiten nur ausführen, wenn Sie über die erforderlichen Werkzeuge und Fachkenntnisse verfügen.
- Beim Arbeiten in der Nähe von Benzin Vorsicht walten lassen, um die Feuer- oder Explosionsgefahr zu verringern. Teile nur mit einem nicht entzündbaren Lösungsmittel waschen. Auf keinen Fall Benzin verwenden. Bei Arbeiten an Teilen des Treibstoffsystems nicht rauchen. Nicht in der Nähe von Funken oder Flammen arbeiten.

WARTUNGSKALENDER

Die Wartung muß in den folgenden Zeitabständen ausgeführt werden, die in Monaten oder Betriebsstunden angeführt sind, wobei jeweils das kürzere Intervall maßgebend ist.

Abstand	Bauteil	Seite
Vor jeder Benutzung	Hinteres Leitblech: Kontrollieren	Seite 8
	Schneidwerkzeug zu stand: Kontrollieren	Seite 6
	Schneidwerkzeug-Schraubenanzug : Kontrollieren	Seite 15
	Grasfangeinrichtung: Kontrollieren	Seite 16
	Motoröl: Kontrollieren	Seite 7
Nach 1 Monat oder 5 Betriebsstunden	Luftfilter: Kontrollieren	Seite 8
	Motoröl: Wechseln Select Drive: Nachstellen	Seite 13 Seite 15
Nach 25 Betriebsstunden	Luftfilter: Reinigen ¹	Seite 14
	Select Drive: Nachstellen Bowdenzug der Messerkupplung: Nachstellen ² Bowdenzug der Fahrkupplung ²	Seite 15
Alle 6 Monate oder 50 Betriebsstunden	Motoröl: Wechseln ¹	Seite 13
	Luftfilter: Reinigen ¹ Select Drive: Nachstellen	Seite 14 Seite 15
Jährlich oder 100 Betriebsstunden	6 Monate oben aufgeführten Punkte plus: Zündkerze: Reinigen/nachstellen Funkenfänger: Reinigen ³ (falls vorhanden)	Seite 14 Seite 14
	Bowdenzug der Messerkupplung: Nachstellen	Seite 14
	Gaszug: Nachstellen ²	
	Ritzel: Schmieren sie ²	
	Bowdenzug der Mofa Kupplung: Nachstellen ²	
	Ventilspiel: Nachstellen ²	
	Leerlauf-Drehzahl: Kontrollieren/nachstellen ² Säubern: Kraftstofftank ²	
Alle 2 Jahre oder 150 Betriebsstunden	Jährlich oben aufgeführten Punkte plus: Luftfilter: Wechseln	Seite 14 Seite 14
	Zündkerze: Reinigen/nachstellen Inspect-Schmieren sie Hinterrad Justiermuffe ²	
Alle 2 Jahre	Benzin-Zuleitung: Wechseln ²	

- Bei starker Staubbelastung häufiger warten.
- Diese Bauteile sollten von einem autorisierten Honda-Händler gewartet werden, sofern Sie nicht über die erforderlichen Werkzeuge und Fachkenntnisse verfügen. Die Wartungsverfahren finden Sie im Honda-Werkstatthandbuch.
- In Europa und anderen Ländern, in denen die Maschinenrichtlinie 2006/42/EG gilt, muss diese Reinigung durch Ihren Servicehändler vorgenommen werden.

Bei Nichteinhalten dieses Wartungsplans kann es zu Defekten kommen, die nicht unter die Garantie fallen.

WARTUNG DES MOTORS

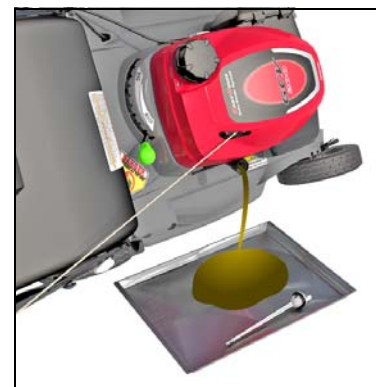
Motorölwechsel

Das alte Öl ablassen, wenn der Motor warm ist. Warmes Öl läuft schneller aus, und es bleiben keine Ölrreste zurück.

- Den Gashebel in die Stellung „STOPP“ schieben, und das Treibstoffventil absperren (OFF). Dadurch wird verhindert, daß Benzin ausläuft (Seite 5).

- Den Bereich um den Einfüllstutzen reinigen und den Öltankverschluß/Meßstab heraus-schrauben.

- Zum Auffangen des alten Öls einen geeigneten Behälter neben den Rasenmäher stellen. Den Rasenmäher nach rechts kippen. Das alte Öl fließt durch den Einfüllstutzen heraus. Warten, bis das ganze Öl herausgeflossen ist.



Das Altöl und den Behälter auf umweltfreundliche Art entsorgen. Wir empfehlen, das Öl in einem verschlossenen Behälter zu einer Wiederverwertungsstelle oder zu Ihrer Autowerkstatt zu bringen. Nicht wegwerfen, wegschütten oder in den Abfluß gießen.

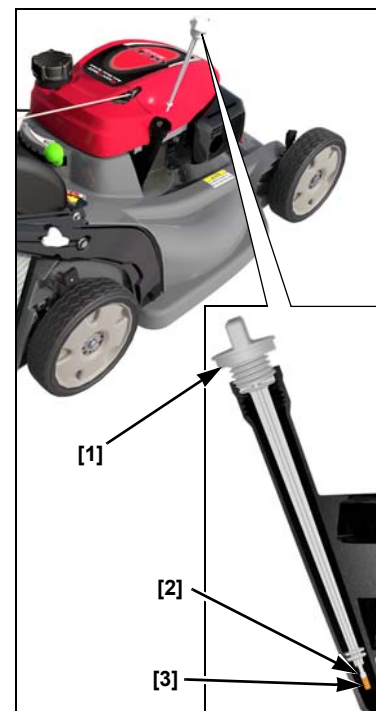
- Empfohlenes Motoröl nachfüllen (Seite 7). Nicht überfüllen. Den Ölstand wie auf der folgenden Seite beschrieben messen.



Füllen sie in der Höhe von 0,35 bis 0,40 L wieder auf

- Nach dem Wechseln des Motoröls und vor dem Anlassen des Motors den Ölstand kontrollieren. Hierzu sollte der Rasenmäher auf einer ebenen Fläche stehen:

- Den Öltankverschluß/Meßstab [1] heraus-schrauben.
- Den Meßstab [1] abwischen.
- Den Meßstab [1] in den Einfüllstutzen stecken und herausziehen. Nicht zuschrauben. Den Ölstand auf dem Meßstab ablesen.
- Wenn der Ölspiegel unter der Minimum-Marke [3] liegt, Öl nachfüllen, bis der Ölspiegel auf dem Meßstab die Maximum-Marke [2] erreicht. Nicht überfüllen. Wenn zu viel Öl eingefüllt wird, könnte das überschüssige Öl in das Luftfiltergehäuse und die Luftfilterelemente gelangen.



ZUR BEACHTUNG

Die Benutzung des Motors bei niedrigem Ölstand kann zu Motorschäden führen.

- Den Öltankverschluß/Meßstab wieder anbringen und zuschrauben.

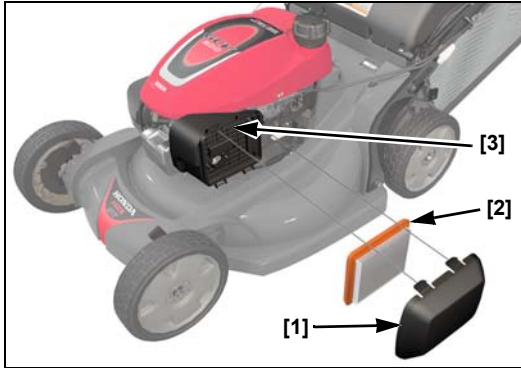
Wartung des Luftfilters

Ein gut gewarteter Luftfilter sorgt dann dafür, dass in den Motor kein Schmutz eindringt. Wenn Schmutz in den Vergaser eindringt, kann dieser über winzige Kanäle in den Vergaser eintreten und einen vorzeitigen Motorverschleiß verursachen. Diese Kanälchen können sich zusetzen und für Anlass- oder Motorlaufprobleme sorgen. Deshalb muss immer ein geeigneter Luftfilter für den jeweiligen Motor verwendet werden, damit dieser geschützt bleibt und so arbeitet wie vorgesehen.

ZUR BEACHTUNG

Wenn der Motor ohne Luftfilter oder mit einem beschädigten Luftfilter betrieben wird, gelangen Schmutzpartikel in den Motor und verursachen schnellen Verschleiß. Ein solcher Schaden wird durch die beschränkte Garantie nicht abgedeckt.

1. Drücken Sie auf die Laschen der Abdeckung [1] des Luftfiltergehäuses und entfernen Sie die Abdeckung.
2. Nehmen Sie den Filter [2] aus dem Luftfiltergehäuse [3] heraus.



3. Überprüfen Sie den Filter. Wenn er beschädigt ist, müssen Sie ihn ersetzen.
4. Reinigen Sie den Filter, indem Sie ihn entweder mehrmals auf einer harten Fläche aufklopfen oder von innen mit Druckluft (maximal 207 kPa) durchblasen. Versuchen Sie nie, den Dreck abzubürsten; er wird dadurch nur in die Zellen gedrückt.
5. Wischen Sie mit Hilfe eines feuchten Tuchs möglichen Schmutz aus dem Innern des Luftfiltergehäuses und seiner Abdeckung. Achten Sie darauf, daß kein Schmutz in den Luftschacht gelangt, der zum Vergaser führt.
6. Bringen Sie Filter und Abdeckung wieder an.

Zündkerzenwartung

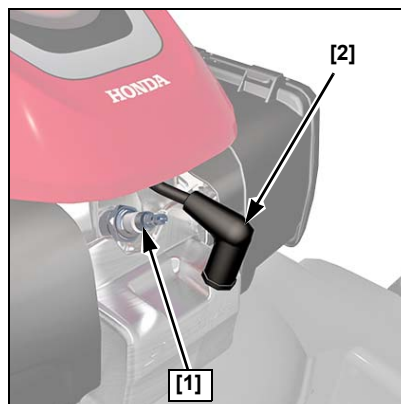
EMPFOHLENE ZÜNDKERZEN: NGK - BPR5ES

ZUR BEACHTUNG

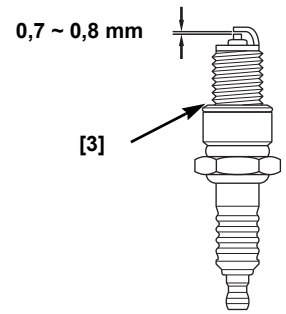
Ungeeignete Zündkerzen können den Motor beschädigen.

Zur Erzielung einer optimalen Leistung müssen die Elektroden der Zündkerze [1] den richtigen Abstand aufweisen, und die Zündkerze darf nicht verrußt sein.

1. Den Zündkerzenstecker [2] abziehen und den Schmutz aus dem Zündkerzenbereich entfernen.
2. Die Zündkerze mit einem Kerzenschlüssel heraus-schrauben.



3. Die Zündkerze überprüfen. Wenn die Elektroden abgenutzt sind oder der Isolator Sprünge oder andere Beschädigungen aufweist, die Zündkerze auswechseln. Die Zündkerze mit einer Drahtbürste reinigen, wenn sie wiederverwendet wird.



4. Den Elektrodenabstand mit einer geeigneten Lehre messen. Der Abstand sollte 0,7 ~ 0,8 mm betragen. Den Elektrodenabstand im Bedarfsfall durch vorsichtiges Verbiegen der Außenelektrode nachstellen.
5. Die Zündkerze vorsichtig von Hand einschrauben, damit das Gewinde nicht ausreißt.
6. Wenn die Zündkerze richtig sitzt, die Zündkerze mit einem Kerzenschlüssel festziehen, damit der Kerzendichtring zusammengedrückt wird.

Gebrauchte Zündkerzen mit dem Kerzenschlüssel um eine 1/8- bis 1/4-Umdrehung festziehen, wenn die Zündkerze richtig sitzt. Neue Zündkerzen um eine halbe Umdrehung festziehen, wenn die Zündkerze richtig sitzt, damit der Kerzendichtring [3] zusammengedrückt wird.

Anzugsmoment der Schneidwerkzeug-Befestigungsschrauben: 20 Nm

ZUR BEACHTUNG

Eine lose Zündkerze kann zu heiß werden und den Motor beschädigen. Durch zu festes Anziehen der Zündkerze kann das Gewinde im Zylinderkopf beschädigt werden.

7. Den Zündkerzenstecker auf die Zündkerze stecken.

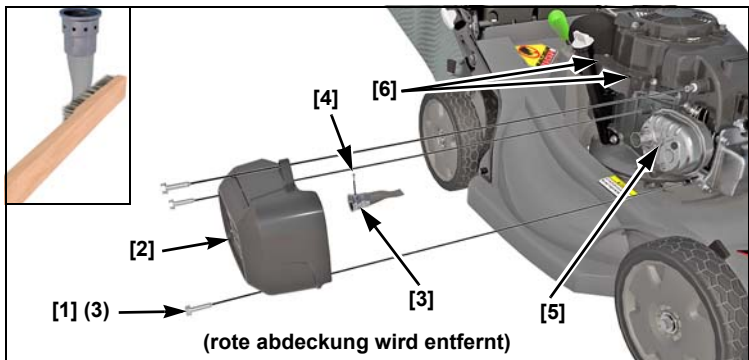
Wartung Des Funkenfängers

In Europa und anderen Ländern, in denen die Maschinenrichtlinie 2006/42/EG gilt, muss diese Reinigung durch Ihren Servicehändler vorgenommen werden.

Um die Funktionsweise des Funken-schutzes sicherzustellen, muß er alle 100 Stunden gewartet werden.

1. Lassen Sie den Motor abkühlen.
2. Die beiden Laschen an der roten Abdeckung [6] auf der Schalldämpferseite des Motors ausclip-sen und dann die Abdeckung leicht anheben.
3. Und lösen Sie dann mit Hilfe eines 10-mm-Schraubenschlüssels die drei Bolzen [1] an der Auspuffabdeckung [2].
4. Entfernen Sie die Auspuffabdeckung [2].
5. Entfernen Sie die Schraub [4].
6. Nehmen Sie den Funken-schutz [3] vom Auspuff [5] ab.
7. Überprüfen Sie, ob sich Kohleablagerungen auf dem Funken-schutz [3] und an der entsprechenden Auspufföffnung befinden. Bürsten Sie diese Ablagerungen ab, wobei die Abschirmung [3] des Funken-schutzes nicht beschädigt werden darf.
8. Befestigen Sie den Funken-schutz wieder am Auspuff.

9. Montieren Sie die Auspuffkomponenten wieder am Motor, und ziehen Sie die drei Bolzen wieder fest an.



SEILZUG-EINSTELLUNGEN

Antriebsseilzug einstellen

Lösen Sie die Kontermutter [1] bei ausgeschaltetem Motor eine Umdrehung.

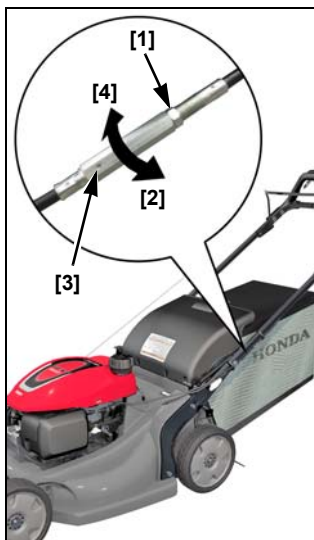
Ziehen Sie die Einstellschraube [4] mit der Hand CW eine Umdrehung drehen und dann den Rasenmäher ziehen nach hinten Widerstand zu überprüfen.

Wenn kein Widerstand vorhanden ist, wiederholen Sie die obigen Schritte, bis die Räder beim Ziehen nach hinten blockieren.

Als nächstes markieren den Regler [3] und LÖSEN [2] der Versteller CCW acht volle Umdrehungen.

Kontern Sie den Einsteller und ziehen Sie die Sicherungsmutter am Einsteller fest. Schieben und ziehen Sie den Rasenmäher, um zu prüfen, ob nur ein geringer oder gar kein Widerstand vorhanden ist.

Starten Sie den Motor, um sich zu vergewissern, dass der Rasenmäher beim Drücken des Select Drive Schalters nicht vorwärts fährt.



AUS-UND EINBAU DES SCHNEIDWERKZEUGS

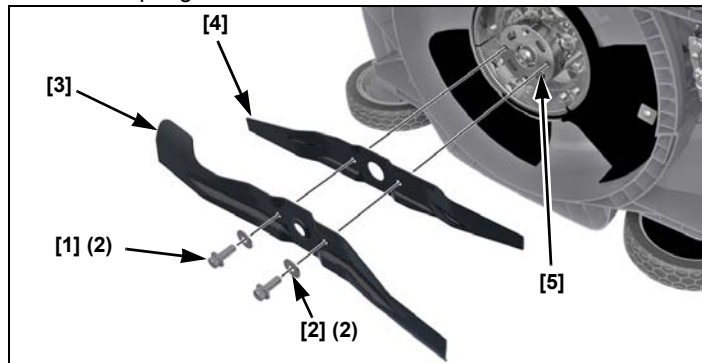
Zum Ausbauen der Schneidwerkzeug zwecks Nachschleifen oder Auswechseln ist ein Drehmomentschlüssel erforderlich. Zum Schutz der Hände Arbeitshandschuhe tragen.

NACHSCHLEIFEN DER SCHNEIDWERKZEUG: Die Schneidwerkzeug sollten von qualifizierten Technikern bei einem autorisierten Honda-Händler geschliffen werden, um ein zu starkes Abschleifen, ein Ungleichgewicht oder eine Beeinträchtigung der Schnittqualität zu vermeiden.

AUSWECHSELN DER SCHNEIDWERKZEUG: Nur Originalschneidmesser von Honda oder ein gleichwertiges Produkt verwenden.

Ausbau des Schneidmessers

1. Den Gashebel in die Position STOP drehen.
2. Das Treibstoffventil absperren (OFF). Den Zündkerzenstecker trennen. Den Mäher auf die rechte Seite kippen, so dass der Benzindeckel oben ist. Dadurch wird verhindert, dass Benzin ausläuft, Motoröl in den Luftfilter läuft und der Motor nachher schlecht anspringt.



3. Die beiden Befestigungsschrauben [1] des Schneidmessers und die Spezialunterlegscheiben [2] mit einem 14-mm-Steckschlüssel aus der Messerkupplung [5] herausschrauben. Die Schneidwerkzeug mit einem Holzklötz blockieren, damit sie sich beim Herausdrehen der Schrauben nicht bewegen.
4. Beim das obere Mulch-Schneidwerkzeug [4] und das untere Mulch-Schneidwerkzeug [3].

Einbau des Schneidmessers

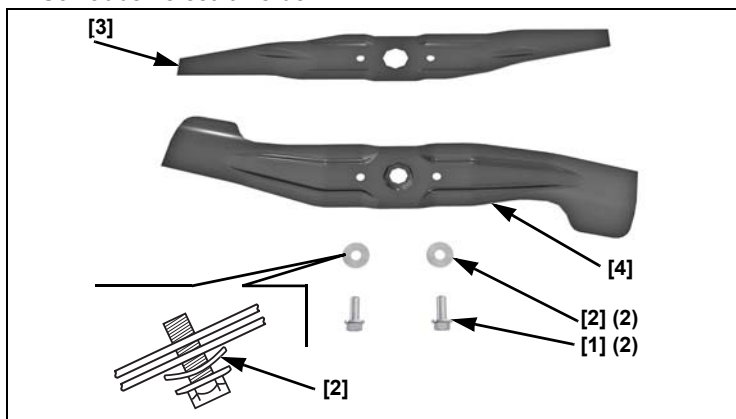
⚠️ WARNUNG

Der Betrieb des Mähers mit nur einem Blatt hat zur Folge, dass das Blatt den Halt verliert und ausgeworfen werden kann. Es besteht schwere Unfall- und Verletzungsgefahr. Es müssen grundsätzlich beide Messer eingesetzt sein.

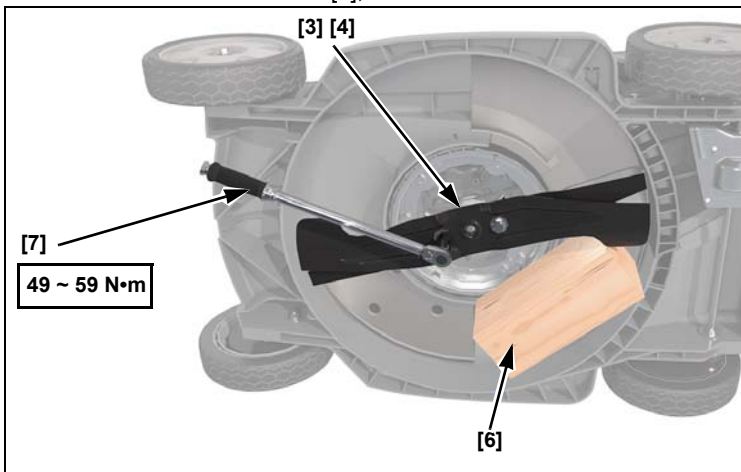
1. Die Antriebswelle von Gras- und Erdresten säubern.
2. Die Schneidwerkzeug [3] [4] mit den zwei Befestigungsschrauben [1] und Spezialunterlegscheiben [2] wie dargestellt anbringen.

Darauf achten, daß die kühle Seite der Spezialscheiben zum Messer und die gewölbte Seite zu den Schraubenköpfen gerichtet ist.

Die Befestigungsschrauben der Schneidwerkzeug sind speziell für diese Anwendung konzipiert und dürfen nicht durch andere Schrauben ersetzt werden.



3. Die Befestigungsschrauben der Schneidwerkzeug [3][4] mit einem Drehmomentschlüssel [7] festziehen. Die Schneidwerkzeug mit einem Holzklötz blockieren [6], damit sie sich nicht drehen können.



Anzugsmoment der Schneidwerkzeug-Befestigungsschrauben: 49 ~ 59 Nm

Wenn Sie keinen Drehmomentschlüssel haben, lassen Sie die Befestigungsschrauben der Schneidwerkzeug durch einen autorisierten Honda-Händler festziehen, bevor Sie den Rasenmäher verwenden. Wenn die Befestigungsschrauben der Schneidwerkzeug zu fest angezogen sind, können sie brechen. Wenn die Befestigungsschrauben der Schneidwerkzeug nicht fest genug angezogen sind, können sie sich lockern oder herausfallen. In beiden Fällen wäre es möglich, daß die Schneidwerkzeug während des Betriebs des Rasenmähers herausgeschleudert werden.

Prüfung der Messermontageschraube

Überprüfen Sie die Messerschrauben auf Anzeichen von Beschädigung oder Lockerung. Wenn sie beschädigt sind, müssen sie ersetzt werden.

Wenn sie locker erscheinen, muss ein Drehmomentschlüssel verwendet werden, um die Blattschrauben mit dem erforderlichen Drehmoment festzuziehen. Wenn Sie keinen Drehmomentschlüssel haben, bringen Sie Ihren Rasenmäher zu einem autorisierten Händler, um die Schrauben zu ersetzen oder anzuziehen.

Unterlegscheiben und Schraubenköpfe auf Lockerheit und Beschädigung prüfen.



Verwenden Sie nur Honda Original Klingenschrauben und Spezielscheiben, da diese speziell für diesen Zweck entwickelt wurden. Ersatzteilnummern finden Sie auf Seite 19.

REINIGUNG UND AUSWECHSELN DES GRASFANGEINRICHTUNGS

Reinigung des Grasfangeinrichtung

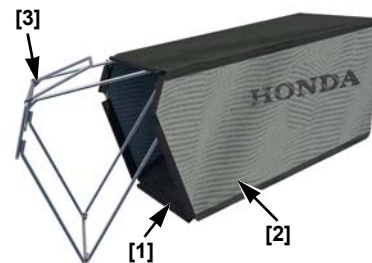
Den Grasfangeinrichtung mit einem Gartenschlauch waschen und vollständig trocknen lassen. Ein nasser Sack ist schnell verstopft.

Auswechseln des Grasfangeinrichtung

Einen abgenutzten oder beschädigten Grasfangeinrichtung durch einen OriginalGrasfangeinrichtung von Honda oder ein gleichwertiges Produkt ersetzen.

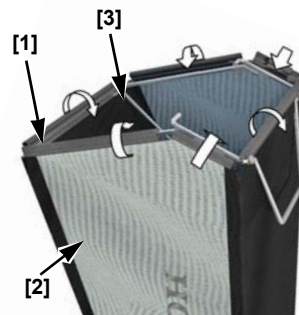
Abnehmen

1. Die Plastikklappen [1] des Grasfangeinrichtung [2] vom Rahmen [3] lösen.
2. Den Grasfangeinrichtung [2] vom Rahmen [3] nehmen.



Anbringen

1. Den Rahmen [3] wie dargestellt in den Grasfangeinrichtung [2] einführen.
2. Die Plastikklappen [1] des Grasfangeinrichtung [2] wieder auf den Rahmen [3] aufpressen.

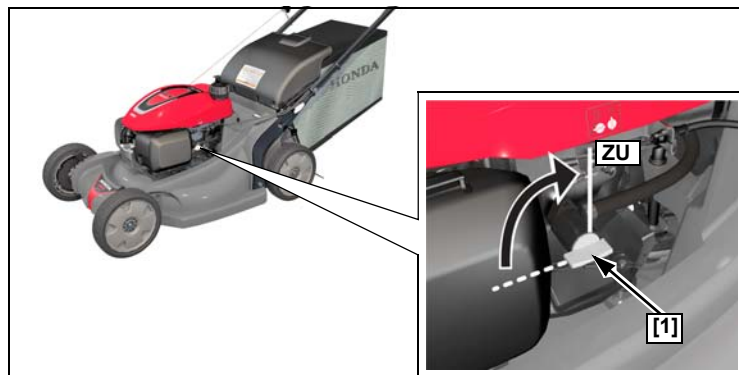


TRANSPORT

Vor dem Aufladen

Wenn der Motor gerade gelaufen ist, den Rasenmäher vor dem Aufladen auf das Transportfahrzeug mindestens 15 Minuten lang abkühlen lassen. Ein heißer Motor oder Auspuff kann Ihnen Verbrennungen zufügen und Materialien entzünden.

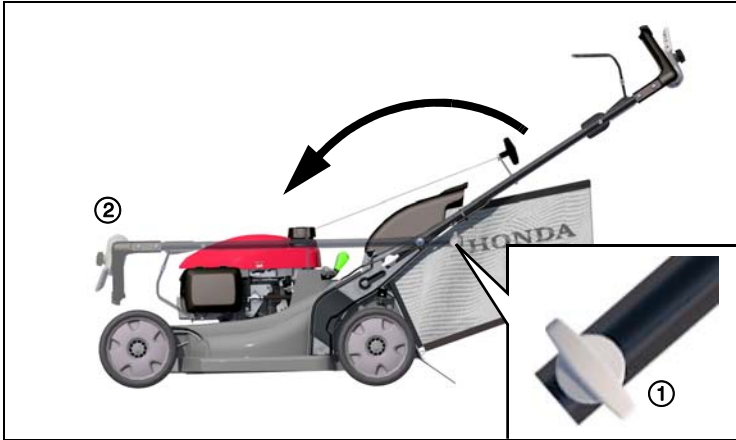
Das Treibstoffventil absperren (OFF). Somit wird ein Überfluten des Vergasers verhindert und die Gefahr einer Treibstoffverschüttung reduziert.



Zusammenlegen des Lenkgestänges

1. Den Grasfangeinrichtung abnehmen, d.h. sofern vorhanden. Der Grasfangeinrichtung kann so auf den Motor gelegt werden, daß die Sacköffnung nach vorne weist.
2. Die Drehknöpfe am Lenkgestänge [1] entriegeln, und das Lenkgestänge [2] nach vorn schwenken. Stellen Sie sicher, daß der Steuerhebel der Laufschaufel den Motor beim Umklappen des Lenkers freigibt.

Beim Umklappen des Lenkgestänges darauf achten, daß die Bowdenzüge nicht abgeknickt oder eingeklemmt werden.



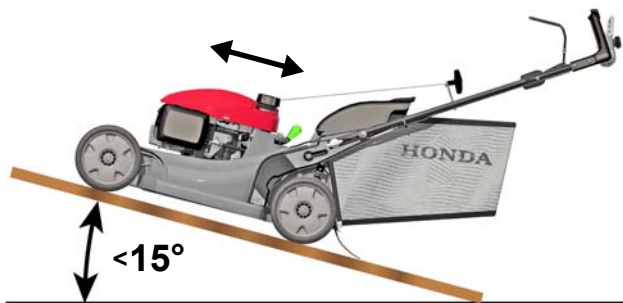
Auf- und Abladen

Den Rasenmäher mit allen vier Rädern auf die Ladefläche des Transportfahrzeugs stellen. Den Rasenmäher mit Seilen oder Transportgurten sichern und die Räder blockieren. Die Seile oder Transportgurte dürfen die Bedienelemente, die Einstellhebel, die Bowdenzüge und den Vergaser nicht berühren.

ZUR BEACHTUNG

Um die Kontrolle über den Rasenmäher nicht zu verlieren und um Schäden zu vermeiden, beim Fahren über die Rampe nie den Radantrieb des Rasenmähers einschalten.
Um eine Beschädigung des Radantriebs zu vermeiden, beim Rückwärtsrollen des Rasenmähers die Fahrkupplung nicht einlegen.

1. Das Treibstoffventil absperren (OFF).
2. Eine geeignete Laderampe verwenden. Die Laderampe so anbringen, daß die Neigung weniger als 15° beträgt. Wenn keine Laderampe zur Verfügung steht, sollten zwei Personen den Rasenmäher auf das Transportfahrzeug bzw. vom Transportfahrzeug heben und den Rasenmäher dabei gerade halten.



LAGERUNG

Der Rasenmäher muß sachgemäß gelagert werden, um Probleme zu vermeiden und ein gutes Erscheinungsbild zu wahren. Die folgenden Maßnahmen schützen den Rasenmäher vor Rost und Korrosion und erleichtern das Anlassen des Motors, wenn der Rasenmäher wieder verwendet wird.

Reinigung

1. Den Rasenmäher einschließlich der Unterseite der Schneidwerkzeugabdeckung waschen.

Motor

Den Motor von Hand waschen und darauf achten, daß kein Wasser in den Luffilter gelangt.

ZUR BEACHTUNG

Durch Verwendung eines Gartenschlauchs oder eines Druckwassersystems kann Wasser in den Luffilter gelangen. Wasser weicht die Filter auf und kann in den Vergaser oder den Motorzylinder eindringen und Schäden verursachen. Wenn Wasser mit dem heißen Motor in Berührung kommt, können Schäden verursacht werden. Wenn der Motor gerade gelaufen ist, den Motor vor dem Waschen mindestens eine halbe Stunde lang abkühlen lassen.

Schneidwerkzeugabdeckung

Beim Reinigen der Schneidwerkzeugabdeckung mit einem Gartenschlauch oder Druckwassersystem darauf achten, daß kein Wasser in die Bedienelemente oder Bowdenzüge oder in die Nähe des Luffilters oder der Auspufföffnung gelangt.

Vor dem Waschen der Unterseite der Schneidwerkzeugabdeckung überprüfen, ob sich der Gashebel in der Stellung „STOPP“ befindet und das Treibstoffventil auf OFF steht. Den Mäher auf die rechte Seite kippen, so dass der Benzindeckel oben ist. Dies verhindert das Auslaufen von Benzin und Startschwierigkeiten durch Absaufen des Vergasers. Arbeitshandschuhe tragen, um die Hände vor den Schneidmessern zu schützen.

Grasfangeinrichtung

Den Grasfangeinrichtung vom Rasenmäher abnehmen und mit einem Gartenschlauch oder Druckwassersystem waschen. Den Grasfangeinrichtung vor dem Lagern ganz trocknen lassen.

2. Nach dem Waschen des Rasenmähers alle zugänglichen Stellen trockenwischen.
3. Wenn der Rasenmäher auf allen vier Rädern steht, den Motor im Freien anlassen und laufen lassen, bis die normale Betriebstemperatur erreicht ist, damit das restliche Wasser auf dem Motor verdampft.
4. Den Motor abstellen und abkühlen lassen.
5. Wenn der Rasenmäher rein und trocken ist, die Farbe an den erforderlichen Stellen nachbessern und rostgefährdete Stellen leicht einölen.

Benzin

ZUR BEACHTUNG

Je nach Region, in der das Gerät verwendet wird, kann sich die Qualität des Kraftstoffs schnell verschlechtern und oxidieren. Eine Qualitätsverschlechterung und Oxidation des Kraftstoffs kann schon nach 30 Tagen erfolgen und zu Schäden am Vergaser und/oder dem Kraftstoffsystem führen. Bitte fragen Sie Ihren Kundendiensthändler nach Empfehlungen für die Lagerung an Ihrem Wohnort.

Benzin oxidiert während der Lagerung, wodurch die Qualität beeinträchtigt wird. Altes Benzin verursacht Startschwierigkeiten und produziert Gummiablagerungen, die die Benzinleitungen verstopfen. Wenn sich die Qualität des im Rasenmäher befindlichen Benzins während der Lagerung verschlechtert, müssen der Vergaser und andere Bestandteile der Treibstoffanlage unter Umständen gewartet oder ausgewechselt werden.

Wie lange Benzin ohne Verursachung von Problemen im Benzintank und Vergaser belassen werden kann, hängt von Faktoren wie der Benzinmischung, der Lagertemperatur und der Benzinmenge im Tank ab. Die Luft in einem nur halb gefüllten Tank trägt zur Verschlechterung der Benzinqualität bei. Sehr hohe Lagertemperaturen beschleunigen den Qualitätsverlust. Durch schlechtes Benzin verursachte Probleme treten innerhalb einiger Monate oder schon früher auf, wenn das Benzin schon beim Tanken nicht mehr frisch war.

Wenn Sie halten ein Behälter mit Benzin für Tankstellen, achten Sie darauf, dass es nur frisches Benzin enthält.

Wenn es mehr als 3 Monate dauert, bis der gesamte Kraftstoff im Behälter verbraucht ist, raten wir dazu, einen Kraftstoffstabilisator in den Kraftstoff zu geben, wenn der Behälter aufgefüllt wird.

Kurzzeitlagerung (30-90 Tage):

Wenn der Rasenmäher 30 bis 90 Tage lang nicht gebraucht wird, empfehlen wir folgende Maßnahmen, um Probleme im Zusammenhang mit der Kraftstoffanlage zu verhindern:

1. Geben Sie unter Befolgung der Hinweise des Herstellers einen Benzin-Veredler bei.

Bei Verwendung eines Benzin-Stabilisators den Tank mit frischem Benzin volltanken. Wenn der Tank nur teilweise gefüllt ist, wird die Verschlechterung der Benzinqualität durch die Luft im Tank beschleunigt.

Hinweis:

- Alle Stabilisatoren verfügen über eine gewisse Haltbarkeit, die im Laufe der Zeit abnimmt.
- Alter Kraftstoff lässt sich nicht mit Stabilisatoren regenerieren.

2. Nach der Beigabe eines Benzinveredlers lassen Sie den Motor draußen 10 Minuten laufen, um sicherzugehen daß der behandelte Benzin den unbehandelten im Benzintank ersetzt hat.
3. Das Treibstoffventil absperren ZU.
4. Lassen sie den Motor weiter laufen, bis er von selbst aufgrund von Benzinmangel im Vergaserbenzinbehälter zum Stillstand kommt. Die Laufzeit sollte weniger als 3 Minuten betragen.

Langzeit- bzw. saisonale Einlagerung (über 90 Tage)

Den Motor starten und laufen lassen, bis der gesamte Kraftstoff aus der Kraftstoffanlage (einschließlich dem Kraftstofftank) verbraucht ist. Wird das Gerät mehr als 90 Tage nicht gebraucht, darf kein Kraftstoff mehr im Motor sein.

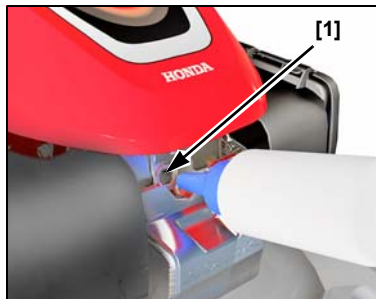
Schäden an der Treibstoffanlage oder eine Beeinträchtigung der Motorleistung durch unzulängliche Lagerung fallen nicht unter die beschränkte Garantie des Händlers.

Motoröl

Das Motoröl wechseln (Seite 13).

Motorzylinder

Wenn der Rasenmäher länger als 3 Monate gelagert wird, die Zündkerze herausschrauben (Seite 14). 5 ~ 10 cm³ reines Motoröl in den Zylinder [1] gießen. Den Starterseilzug mehrmals ziehen, damit sich das Öl im Zylinder verteilt. Die Zündkerze wieder einschrauben.



Das Starterseil langsam ziehen, bis Widerstand zu spüren ist, und den Griff des Starterseils langsam bis zum Anschlag zurückführen. Dadurch schließen sich die Ventile, und es kann keine Feuchtigkeit in den Zylinder gelangen.

Einlagerung

Wenn Ihr Rasenmäher mit Benzin im Tank und Vergaser gelagert wird, muß die Gefahr, daß sich die Benzindämpfe entzünden, verringert werden. Einen gut belüfteten Lagerbereich auswählen und darauf achten, daß sich kein mit Flamme betriebenes Gerät wie beispielsweise ein Ofen, ein Warmwasserbereiter oder ein Wäschetrockner in der Nähe befindet. Den Rasenmäher auch nicht in einem Bereich lagern, in dem sich ein funkenerzeugender Elektromotor befindet oder Elektrowerkzeuge verwendet werden.

Sofern möglich, feuchte Lagerräume vermeiden, da Feuchtigkeit Rost und Korrosion verursacht.

Den Rasenmäher mit allen vier Rädern auf eine ebene Fläche stellen. Wenn der Rasenmäher schräg steht, kann Benzin oder Öl auslaufen.

Das Lenkgestänge kann umgeklappt werden, um den Platzbedarf zu verringern (Seite 16).

Wenn der Motor und die Auspuffanlage kalt sind, den Rasenmäher zudecken, um Staub fernzuhalten. Ein heißer Motor oder Auspuff kann Materialien entzünden oder zum Schmelzen bringen. Als Staubschutz keine Plastikplane verwenden. Unter einer undurchlässigen Abdeckung sammelt sich durch die Feuchtigkeit Wasser an, was Rost und Korrosion zur Folge hat.

Wiederverwendung Nach Der Lagerung

Den Rasenmäher wie im Kapitel „KONTROLLEN VOR DER INBETRIEBNAHME“ beschrieben überprüfen (Seite 6).

Wenn der Zylinder zur Lagerung des Rasenmähers eingölt wurde, raucht der Motor nach dem Anlassen kurz. Das ist normal.

STÖRUNGSBESEITIGUNG

MOTOR SPRINGT NICHT AN

Mögliche Ursache	Abhilfe
Treibstoffventil ist abgesperrt	Treibstoffventil öffnen (Seite 5).
Gashebel befindet sich in falscher Stellung	Bringen Sie den Gashebel in die Stellung FAST (Seite 5).
Kein Benzin im Tank	Nachtanken (Seite 7).
Schlechtes Benzin. Rasenmäher wurde ohne Beimengung eines Benzinstabilisators oder es wurde schlechtes Benzin getankt.	Frisches Benzin nachfüllen (Seite 7).
Zündkerze ist schadhaft oder verrußt oder der Elektrodenabstand ist falsch eingestellt	Zündkerze reinigen oder austauschen oder Elektrodenabstand einstellen (Seite 14).
Zündkerze ist durch Benzin naß geworden (abgesoffener Motor)	Zündkerze trocknen lassen und wieder einschrauben. Den Motor mit dem Gashebel in der Stellung „Schnell“ anlassen.
Kraftstoff-Filter ist verstopft, Vergaser funktioniert nicht, Zündung funktioniert nicht, Ventile klemmen usw.	Rasenmäher zum Honda-Händler bringen oder das Werkstatthandbuch zu Rate ziehen.

LEISTUNGSVERLUST

Mögliche Ursache	Abhilfe
Gashebel befindet sich nicht in der Stellung „Schnell“	Gashebel in die Stellung „Schnell“ bringen (Seite 5).
Gras ist zu hoch zum Schneiden	Schneithöhe höher einstellen (Seite 8), einen schmälere Mähstreifen schneiden (Seite 5), oder häufiger mähen.
Schneidwerkzeugabdeckung ist verstopft	Schneidwerkzeugabdeckung reinigen (Seite 11).
Luftfilter verstopft	Reinigen Sie den Luftfilter, oder tauschen Sie ihn aus (Seite 14).
Schlechtes Benzin. Rasenmäher wurde ohne Beimengung eines Benzinstabilisators oder Entleeren des Benzins gelagert oder es wurde schlechtes Benzin getankt.	Frisches Benzin nachfüllen (Seite 7).
Kraftstoff-Filter ist verstopft, Vergaser funktioniert nicht, Zündung funktioniert nicht, Ventile klemmen usw.	Rasenmäher zum Honda-Händler bringen oder das Werkstatthandbuch zu Rate ziehen.

VIBRATION

Mögliche Ursache	Abhilfe
Ansammlung von Gras und anderen Rückständen unter der Schneidwerkzeugabdeckung	Schneidwerkzeugabdeckung reinigen (Seite 11).
Schneidwerkzeug sind lose, verbogen, beschädigt oder durch unsachgemäßes Schleifen unwuchtig	Lockere Schneidwerkzeug-Befestigungsschrauben festziehen. Beschädigte Schneidwerkzeug austauschen (Seite 15).
Mechanischer Defekt, wie beispielsweise verbogene Kurbelwelle	Rasenmäher zum Honda-Händler bringen oder das Werkstatthandbuch zu Rate ziehen.

PROBLEME BEIM MÄHEN UND BEI VERWENDUNG DES GRASFANGEinRICHTUNGS

Mögliche Ursache	Abhilfe
Motordrehzahl ist zu niedrig zum Schneiden	Gashebel in die Stellung „Schnell“ bringen (Seite 5).
Rasenmäher fährt für Rasenbedingungen zu schnell	In einen niedrigeren Gang schalten (Seite 5).
Einstellhebel sind nicht einheitlich eingestellt	Alle Einstellhebel auf dieselbe Schneithöhe einstellen (Seite 8).
Grasfangeinrichtung ist zu voll oder verstopft	Grasfangeinrichtung ausleeren. Falls Grasfangeinrichtung verstopft ist, waschen (Seite 16).
Schneidwerkzeugabdeckung ist verstopft	Schneidwerkzeugabdeckung reinigen (Seite 11).
Schneidwerkzeug sind stumpf, abgenutzt oder beschädigt	Schneidwerkzeug nachschleifen oder austauschen (Seite 15).
Die falschen Schneidwerkzeug wurden installiert	Richtige Schneidwerkzeug installieren (Seite 15).

TEILE

Artikel	Teilenummern
Luftfilter	17211-Z8B-901
Zündkerze	98079-55846
Schneidwerkzeug	72531-VH7-000 (obere) 72511-VH7-000 (untere)
Befestigungsschrauben (2)	90105-960-710
Spezial Unterlegscheiben (2)	90502-VG3-000

TECHNISCHE DATEN

MODELL	HRX537C5
TYPEN	VYE
TYPENBEZEICHNUNG	MAMA

ALLGEMEINE DATEN

Gesamtlänge	1610 mm
Lenkgestängehöhe	1073 mm
Masse (ISO5395)	43,5 kg
Spurbreite	588 mm
Schnittbreite	530 mm
Schnitthöhenverstellung	19 mm, 32 mm, 46 mm, 62 mm, 75 mm, 88 mm, 101 mm
Grasfangeinrichtungsvolumen	85 L
Schalldruckpegel am Ohr des Bedieners (nach EN ISO 5395-1:2013)	85 dB(A)
Unsicherheit	1 dB(A)
Gemessene Schalleistungspegel (nach Richtlinien 2000/14/EC)	96 dB(A)
Unsicherheit	1 dB(A)
Garantierter Schalleistungspegel (nach Richtlinien 2000/14/EC)	98 dB(A)
Vibrationen übertragen (nach EN ISO 5395-1:2013)	5.4 m/s ²
Unsicherheit	2.1 m/s ²

MOTOR

Modell	GCV200
Typen	4-Takt, Einzylinder, stehende Welle
Hubraum	201 cm ³
Zylinderdurchmesser und -hub	66 x 59 mm
Kühlung	Zwangsbelüftung
Schmierung	Tauchschmierung
Verdichtung	8,0:1
Betriebsdrehzahl	2.850 ⁺⁰ ₋₁₀₀ U/min
Leerlaufdrehzahl	1.700 ±150 U/min
Zündung	Magnetische Transistorzündung
Zündkerze	NGK: BPR5ES
Elektrodenabstand	0,7 ~ 0,8 mm
Luftfilter	Trockenelement-Typ
Benzinempfehlung	91 Oktan oder höher (vorzugsweise bleifrei)
Tankinhalt	0,91 L
Ölempfehlung	SAE 10W-30, API SJ oder gleichwertiges Öl
Motorölmenge	0,40 L* Füllen sie in der Höhe von 0,35 bis 0,40 L wieder auf.

* Die tatsächliche Höhe wird sich aufgrund von Ölrestbeständen, die im Motor zurückgeblieben sind, ändern. Betätigen Sie immer den Ölmeßstab, um den tatsächlichen Ölstand zu prüfen (Seite 4).

RADANTRIEB

Typ	Hydrogetriebe
Motorantriebsverbindung	Keilriemen
Kupplung	Strömungsgetriebe
Fahrgeschwindigkeit	0 ~ 1,64 m/s
Radantriebsöl	10W-30

INTRODUZIONE

Grazie per aver acquistato un tosaerba Honda.

Questo manuale tratta l'uso e la manutenzione dei tosaerba Honda HRX537VYE.

Vogliamo aiutarvi ad ottenere i migliori risultati dal vostro nuovo tosaerba ed ad utilizzarlo in maniera sicura. Questo manuale contiene informazioni su come fare ciò; vi preghiamo di leggerlo attentamente.

Questo manuale va considerato parte integrante del tosaerba e va allegato allo stesso in caso di rivendita.

Se avete problemi o domande riguardanti il tosaerba, contattate il vostro concessionario.

Vi raccomandiamo di leggere la polizza di garanzia in modo da comprendere appieno i vostri diritti e le vostre responsabilità. La polizza di garanzia è un documento separato fornito dal vostro concessionario.

La Honda Power Equipment Mfg., Inc. si riserva il diritto di apportare cambiamenti in qualsiasi momento senza preavviso e senza incorrere in alcun obbligo.

È vietata la riproduzione di qualsiasi parte di questo manuale senza un'autorizzazione scritta.

COMUNICAZIONI SULLA SICUREZZA

Fare particolare attenzione a dichiarazioni precedute dalle seguenti parole:

⚠ PERICOLO

La mancata osservanza delle istruzioni causerà LESIONI GRAVI o FATALI alla persona.

⚠ AVVERTENZA

PERICOLO DI MORTE O DI FERITE GRAVI se non si seguono le istruzioni.

⚠ ATTENZIONE

PERICOLO DI FERITE se non si seguono le istruzioni.

Ogni messaggio vi dice qual'è il pericolo, cosa può succedere, e cosa potete fare per evitare o ridurre il pericolo di infortunio.

MESSAGGI DI PREVENZIONE DEI DANNI

Vedrete inoltre altri importanti messaggi preceduti dalla seguente parola:

NOTA

Se non seguite le istruzioni potete arrecare danni al vostro tosaerba o alle cose.

Lo scopo di questi messaggi è di prevenire danni al vostro tosaerba, alle cose o all'ambiente.

HONDA

MANUALE DELL'UTENTE

(Istruzioni originali)
HRX537VYE
RASAERBA



INDICE

INTRODUZIONE	1	MANUTENZIONE	12
COMUNICAZIONI SULLA SICUREZZA	1	L'Importanza Della Manutenzione	11
ISTRUZIONI SULLA SICUREZZA	2	Programma Di Manutenzione	12
Posizione Dell'Etiche Di Sicurezza	3	Manutenzione Del Motore	13
Targhetta Di Identificazione del Prodotto	3	Regolazioni Del Cavo Di Comando	14
IDENTIFICAZIONE DEI COMPONENTI	3	Rimozione e Montaggio Della Lama(e)	14
INSTALLAZIONE	4	Pulizia e Sostituzione del Sacco Raccogli-Erba	15
COMANDI	5	TRASPORTO	15
CONTROLLI PRIMA DELL'USO	6	IMMAGAZZINAGGIO	16
Livello dell'olio del motore	6	LOCALIZZAZIONE DEI GUASTI	18
Carburante	7	CARATTERISTICHE TECNICHE	19
USO	9	Condizioni Di Garanzia Honda, Dichiarazione CE di Conformità, Indirizzi Del Distributore Honda	L'ultima pagina
Precauzioni Per L'Uso	9		
Avviamento del Motore	9		
Arresto del Motore	10		
Per Tosare in Maniera Sicura	10		
Consigli Sulla Tosatura	10		

ITALIANO

ISTRUZIONI SULLA SICUREZZA

AVVERTENZA

Per assicurare un uso sicuro –



• I tosaerba Honda sono progettati in modo da fornire un servizio sicuro ed affidabile se usati secondo le istruzioni. Vi preghiamo di leggere e comprendere il Manuale dell'utente prima di utilizzare il tosaerba. Non farlo potrebbe risultare in ferite personali o danni all'apparecchiatura.

- Leggete attentamente le istruzioni, familiarizzatevi con i comandi e sul corretto uso dell'apparecchiatura.
- Non permettere mai che il tosaerba venga usato da bambini o persone che non si sono familiarizzate con queste istruzioni. I regolamenti locali potrebbero imporre limiti all'età dell'utente.
- Non tosare mai in prossimità di persone, specialmente bambini, o di animali domestici.
- Ricordate che l'utente è responsabile per ferita e rischi subiti da altre persone o dalle cose di loro proprietà.
- Mentre tosate indossate sempre delle scarpe resistenti e pantaloni lunghi. Non utilizzate l'apparecchio scalzi o calzando dei sandali aperti.
- Ispezionare attentamente la zona dove verrà utilizzata l'apparecchiatura e rimuovere tutti gli oggetti che potrebbero venir lanciati dall'apparecchiatura.
- La benzina è altamente infiammabile:
 - Conservare il carburante in contenitori appositamente destinati a tale uso.
 - Fare rifornimento soltanto all'esterno e non fumare mentre fate rifornimento.
 - Aggiungere carburante prima di avviare il motore. Non rimuovere mai il tappo del serbatoio del carburante o aggiungere benzina con il motore acceso o a motore ancora caldo.
 - Se viene versata accidentalmente della benzina, non cercare di avviare il motore. Invece spostare l'apparecchiatura dal luogo del versamento accidentale ed evitare di causare accensioni fino a quando i vapori della benzina non si siano dispersi.
 - Richiudere bene i tappi della benzina.
- Sostituire marmitte difettose.
- Prima di usare, sempre ispezionare visualmente per vedere se la lama(e), il bullone della lama ed il tosaerba non siano usurati o danneggiati. Sostituire la lama(e) usurata o danneggiata e i bulloni in serie, per mantenere la stabilità.
- Non utilizzare il motore in ambienti chiusi dove si possano raccogliere i pericolosi fumi di monossido di carbonio.
- Tosare solo alla luce del giorno o in presenza di una buona illuminazione artificiale.
- Evitare l'uso su erba bagnata, ove possibile.
- Tosatura su terreni in pendenza:
 - Fare attenzione a non mettere un piede in fallo.
 - Tosare lungo il terreno in pendenza, non su e giù.
 - Camminare, mai correre.
 - Fare estrema attenzione quando cambiate direzione su di un terreno in pendenza.
 - Non tosare terreni troppo in pendenza.
- Fare estrema attenzione quando si inserisce la retromarcia e quando si tira il tosaerba verso di sé.
- Fermare la lama(e) se il tosaerba deve venire inclinato per il trasporto, quando si attraversa una superficie non erbosa e nel trasporto del tosaerba da e per la zona da tosare.
- Non utilizzare mai il tosaerba con dei parasassi difettosi, o senza aver installato dei dispositivi di sicurezza (per esempio dei deflettori o dei dispositivi raccogli-erba).
- Non cercare di effettuare delle regolazioni all'altezza di tosatura mentre il tosaerba è in funzione.
- Non cambiare l'impostazione del regolatore del motore o far andare a velocità superiori alla massima normale.
- Disinserire tutte le leve di innesto della lama e della trasmissione prima di avviare il tosaerba.

- Avviare il motore facendo attenzione a seguire le istruzioni e con i piedi ben lontani dalla lama(e).
- Non inclinare il tosaerba quando si avvia il motore.
- Non mettere mani e piedi vicino o sotto parti rotanti. Tenersi sempre a distanza dall'apertura di scarico.
- Non sollevare o trasportare mai un tosaerba con il motore in funzione.
- Arrestare il motore e staccare il filo della candela nei seguenti casi:
 - Prima di rimuovere un'ostruzione o disintasare il tosaerba.
 - Prima di controllare, pulire o lavorare al tosaerba.
 - Dopo aver colpito un oggetto. Controllare il tosaerba per eventuali danni ed effettuare le riparazioni prima di riavviare ed adoperare il tosaerba.
 - Se il tosaerba comincia a vibrare in maniera insolita, controllare immediatamente.
- Arrestare il motore nei seguenti casi:
 - Ogni qualvolta lasciate il tosaerba.
 - Prima di fare rifornimento di carburante.
 - Prima di togliere il raccogli-erba, l'adattatore per lo scarico laterale o il tappo da sminuzzatura.
- Ridurre la regolazione della levetta del gas quando arrestate il motore e chiudere la valvola del carburante quando si ha finito di tosare.
- Mantenere ben serrati dadi, bulloni e viti per assicurarsi che l'apparecchiatura sia sicura da usare.
- Non immagazzinare mai l'apparecchiatura con benzina nel serbatoio all'interno di un edificio ove i fumi possano raggiungere una fiamma esposta od una scintilla.
- Permettere al motore di raffreddarsi prima di immagazzinare in un luogo chiuso.
- Per ridurre il rischio di incendio, tenere il motore, la marmitta, la zona della batteria (se presente) e la zona di immagazzinaggio della benzina liberi da erba, foglie o troppo grasso.
- Controllare frequentemente il dispositivo raccogli-erba per segni di usura o deterioramento.
- Per motivi di sicurezza sostituire i componenti usurati o danneggiati.
- Se occorre scolare il serbatoio del carburante, questo va fatto all'esterno.
- Indossare occhiali di protezione.
- Non usare mai la macchina in caso di stanchezza o malattia dell'utilizzatore, o dopo l'assunzione di farmaci, droghe, alcol o sostanze pericolose che possano avere effetti negativi su riflessi e concentrazione.
- Quando si utilizza la macchina, indossare sempre calzature di sicurezza resistenti e antiscivolo e pantaloni lunghi. Non usare la macchina scalzi o con scarpe aperte. Evitare di indossare catenine, braccialetti o indumenti ampi con parti svolazzanti o con lacci oppure cravatte. I capelli lunghi devono essere legati. Indossare sempre un elmetto antirumore.
- Ricordare che l'operatore o la persona che sta utilizzando l'apparecchio è responsabile di qualsiasi incidente o evento imprevisto che possa verificarsi ad altre persone o ai loro beni. L'utilizzatore è responsabile del controllo dei possibili rischi dovuti al terreno da lavorare e dell'adozione di tutte le precauzioni necessarie per garantire la propria sicurezza e quella degli altri, in particolare su terreni in pendenza, sconnessi, scivolosi o instabili o in prossimità di buche, fossi o terrapieni.
- **NOTA** – I livelli di rumorosità e vibrazioni indicati in questa scheda informativa sono i valori massimi di utilizzo della macchina. L'uso di una fresa non bilanciata, una velocità di movimento eccessiva e la mancanza di manutenzione hanno un effetto importante sulle emissioni sonore e le vibrazioni. È pertanto necessario adottare misure preventive per eliminare tutti i possibili danni dovuti ad alti livelli di rumore e le sollecitazioni dovute alle vibrazioni; è importante effettuare un'adeguata manutenzione della macchina, indossare un elmetto antirumore. Fare delle pause durante il lavoro.

Smaltimento

Allo scopo di proteggere l'ambiente, non smaltire impropriamente questo prodotto, la batteria, l'olio motore, ecc. depositandoli tra i rifiuti comuni. Osservare quanto stabilito dalle leggi e normative locali in materia di smaltimento oppure rivolgersi al proprio concessionario Honda autorizzato.

POSIZIONE DELL'ETICHE DI SICUREZZA

Questa etichetta segnala potenziali rischi che possono causare infortuni gravi. Leggerla attentamente. Se questa si stacca o diviene difficile da leggere, contattare il concessionario per un ricambio.

Lettera	Segnale
A	
	<p>1. Leggere il libretto di uso e manutenzione prima di usare la macchina.</p> <p>2. Rischio di proiezioni. Tenere lontano terze persone d'all'area durante l'uso.</p> <p>3. Rischio di tagli. Lama rotanti. Non mettere mani o piedi all'interno dell'alloggiamento lame. Scollegare il cappuccio della candela prima di effettuare qualsiasi intervento di manutenzione o riparazione.</p> <p>4. Non utilizzare senza deflettore o sacco raccogliërba.</p>

Lettera	Segnale
B	
	<p>5. Leggere il libretto di uso e manutenzione prima di usare la macchina.</p> <p>6. Il motore rilascia monossido di carbonio che è un gas tossico velenoso. Non azionare in un luogo chiuso.</p> <p>7. La benzina è estremamente infiammabile ed esplosiva. Spegnerne il motore e lasciarlo raffreddare prima di effettuare il rifornimento.</p>

TARGHETTA DI IDENTIFICAZIONE DEL PRODOTTO

Lettera	Segnale
C	
	<p>1. Livello di potenza acustica garantita Direttiva 2000/14/EC</p> <p>2. Marchio di conformità, secondo la EC-direttiva</p> <p>3. Marchio di conformità optional</p> <p>4. Potenza nominale in kilowatts</p> <p>5. Velocità del motore massimo</p> <p>6. Mese e anno di fabbricazione</p> <p>7. Peso in chilogrammi</p> <p>8. Numero di serie</p> <p>9. Modello</p> <p>10. Nome ed indirizzo e rappresentante autorizzato</p> <p>11. Nome ed indirizzo del fabbricante</p>
<p>Nome e indirizzo del costruttore e autorizzati representative sono scritti nel "Declaration CE di conformità" Schema contenuto di questo manuale di istruzioni.</p>	

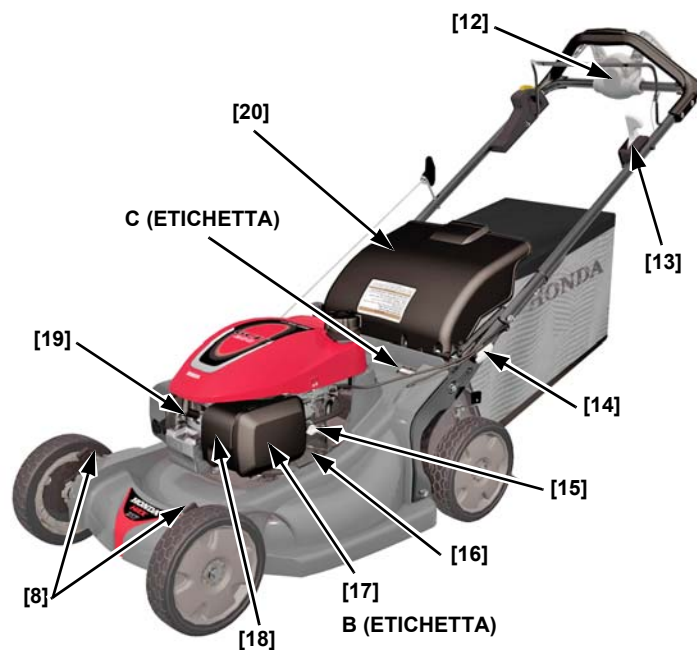
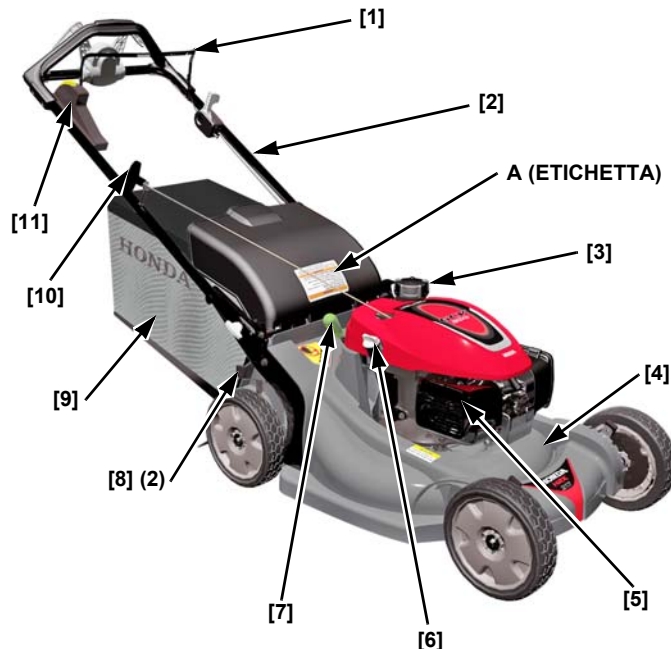
Registrare i numeri di serie di telaio e motore negli appositi spazi qui di seguito. Questi numeri sono necessari per ordinare i componenti e per le richieste di assistenza tecnica o in garanzia.

Numero di serie del telaio: _____ - _____

Numero di serie del motore: _____ - _____

Data dell'acquisto: ____ / ____ / ____

IDENTIFICAZIONE DEI COMPONENTI



1	Leva del freno del volano
2	Stegola
3	Tappo del serbatoio del carburante
4	Paratia di scarico posteriore
5	Marmitta
6	Tappo del bocchettone di riempimento dell'olio
7	Manopola di direzione dello scarico
8	Leve di regolazione dell'altezza di taglio (4)
9	Sacco raccogli-ërba
10	Avviatore a rinculo

11	Roto-Stop pulsante
12	Comando de Select Drive
13	Levetta del gas
14	Manopola di bloccaggio della stegola (2)
15	Valvola del carburante
16	Numero di matricola del motore
17	Depuratore dell'aria
18	Carburatore
19	Cappuccio della candela
20	Parasassi

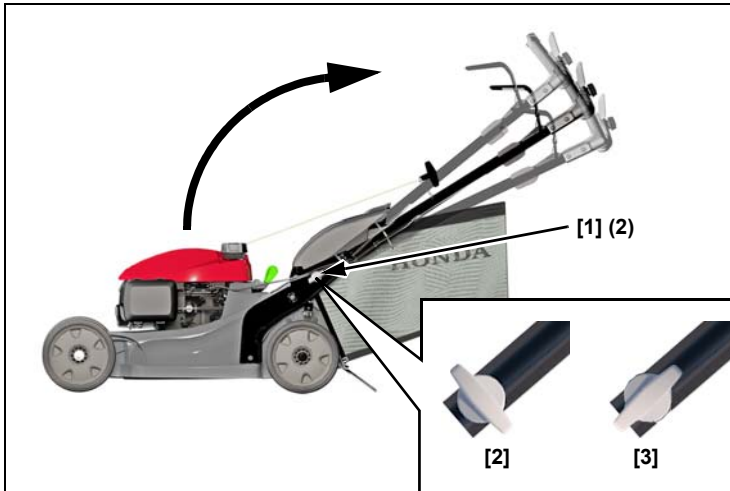
INSTALLAZIONE

DISIMBALLAGGIO

Rimuovere tutto il cartone avvolto intorno alla stegola.

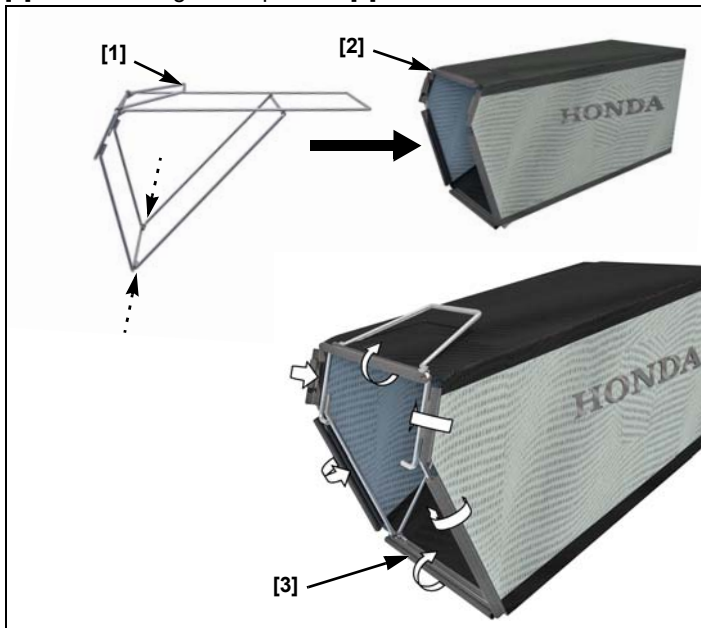
INSTALLAZIONE DELLA STEGOLA

1. Ruotare le manopole di regolazione della stegola [1] di 90 gradi per portarle nella posizione di sblocco [2].
2. Spingere la stegola in alto o in basso, in modo che i perni di centraggio si allineino con i fori superiori, centrali o inferiori delle staffe di montaggio.
3. Ruotare le manopole di regolazione della stegola di 90 gradi per portarle nella posizione [3] di blocco e i perni entreranno automaticamente nei fori e si bloccheranno.

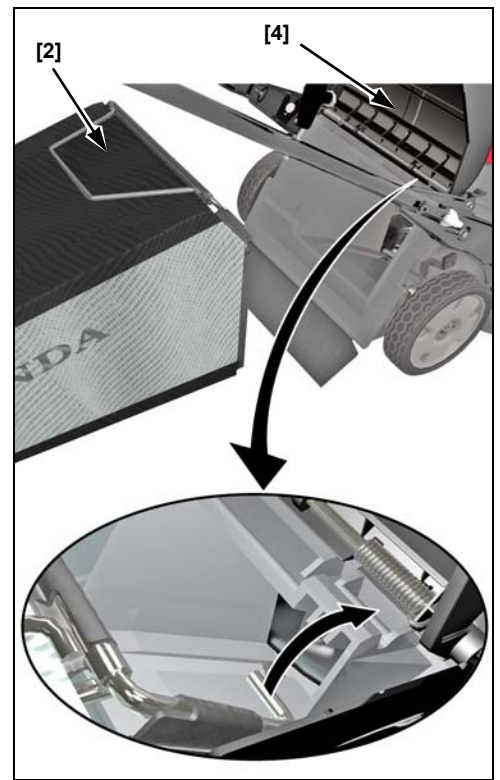


ASSEMBLAGGIO DEL SACCO RACCOGLIERBA

Inserire il telaio del sacco raccogliherba [1] dentro il sacco raccogliherba [2] e installare i ganci di plastica [3] come indicato.



Sollevare il parasassi [4] e installare il sacco raccogliherba [2].



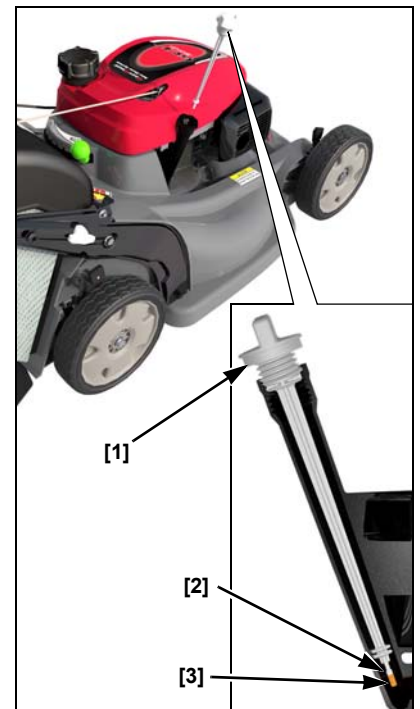
OLIO DEL MOTORE

Il tosaerba viene spedito **SENZA OLIO** nel motore.

Aggiungere una quantità sufficiente di olio SAE 10W-30 API, categoria SJ, per portare il livello dell'olio fra il segno del limite superiore [2] e di quello inferiore [3] sull'asta di livello [1], come indicato.

Quantità di riempimento: 0,35 ~ 0,40 L

Non riempire eccessivamente. Se il motore viene riempito troppo, l'olio in eccesso potrebbe scolare nell'alloggiamento del depuratore dell'aria e del filtro dell'aria.



CARBURANTE

Fare riferimento alla pagina 7.

PRIMA DI USARE

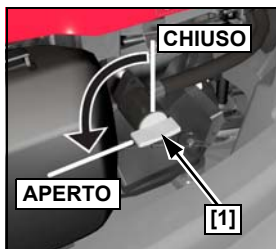
Prima di usare il tosaerba, è necessario che tutti gli utenti leggano i seguenti capitoli:

- **ISTRUZIONI DI SICUREZZA** (pagina 2)
- **COMANDI** (pagina 5)
- **CONTROLLI PRIMA DELL'USO** (pagina 6)
- **USO** (pagina 9)
- **PROGRAMMA DI MANUTENZIONE** (pagina 12)

COMANDI

VALVOLA DEL CARBURANTE

La valvola del carburante [1] apre e chiude il collegamento tra il serbatoio ed il carburatore.



LEVETTA DEL GAS

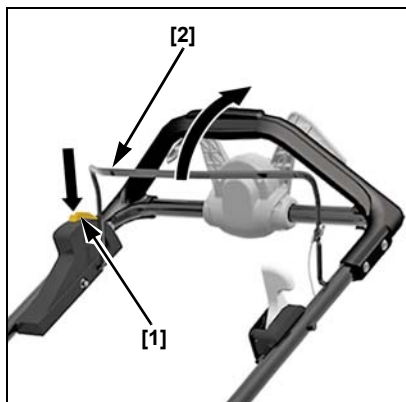
Per ottenere la migliore qualità di taglio, eseguire la falciatura con la leva di accelerazione in posizione FAST (veloce). Quando l'organo di taglio ruota alla velocità rapida preimpostata, crea una notevole "azione ventaglio" che solleva e taglia l'erba in maniera più efficiente.



Non tentare di aumentare il regime motore FAST preimpostato: l'organo di taglio potrebbe spezzarsi.

SISTEMA DI COMANDO DELL'ORGANO DI TAGLIO

Per avviare la rotazione dell'organo di taglio, assicurarsi che il motore sia in funzione e che la leva di accelerazione sia in posizione FAST (veloce)..



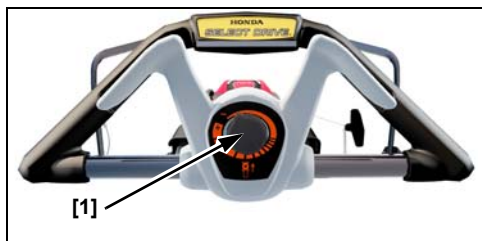
1. Tenere premuto il pulsante Roto-Stop [1].
2. Tirare rapidamente la leva di comando dell'organo di taglio [2] contro lo sterzo, consentendo al motore di portare l'organo di taglio alla massima velocità, quindi sbloccare il pulsante Roto-Stop.

Continuare a tenere la leva di comando dell'organo di taglio contro lo sterzo allo scopo di mantenere la rotazione dell'organo di taglio. Durante la falciatura, la leva di comando dell'organo di taglio deve essere sempre mantenuta innestata. Non disinnestarla parzialmente, in quanto si ridurrebbe la durata dell'impianto della frizione.

Sbloccare la leva di comando dell'organo di taglio per arrestare la rotazione di quest'ultimo. Sbloccare sempre la leva di comando dell'organo di taglio prima di avviare il motore per evitare la rotazione dell'organo di taglio.

COMANDO SELECT-DRIVE

Con il motore in funzione e l'organo di taglio in rotazione, spingere lentamente il comando Select Drive [1] per far avanzare il tosaerba.



Il funzionamento normale prevede che le mani dell'operatore siano comodamente appoggiate attorno allo sterzo e sul comando Select Drive. Con il pollice, spingere il comando Select Drive nella scanalatura per aumentare la spinta (per risalire una collina o in caso di erba fitta).

Si può ridurre la velocità di avanzamento sbloccando parzialmente il comando Select Drive.

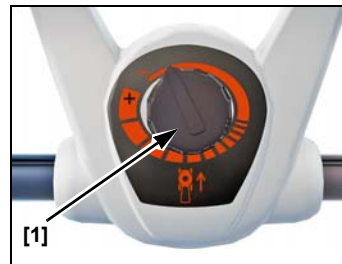
La velocità di avanzamento varia in base alle condizioni del terreno, all'altezza dell'erba, alla pendenza e al peso del cestello. Spostando il pomello Select Drive o variando la corsa in avanti del comando Select Drive consente di mantenere la velocità di avanzamento desiderata anche se vengono modificate costantemente le condizioni di falciatura.

Sbloccare il comando Select Drive per scollegare (arrestare) le ruote posteriori.

Scollegare la trasmissione quando si sfalcia attorno ad alberi e ad altri ostacoli. Spingere il tosaerba attorno agli ostacoli per ottenere un migliore controllo direzionale.

Regolazione del pomello di comando Select Drive

Il pomello di comando Select Drive [1] consente di regolare la velocità di avanzamento massima quando la leva Select Drive è totalmente innestata.



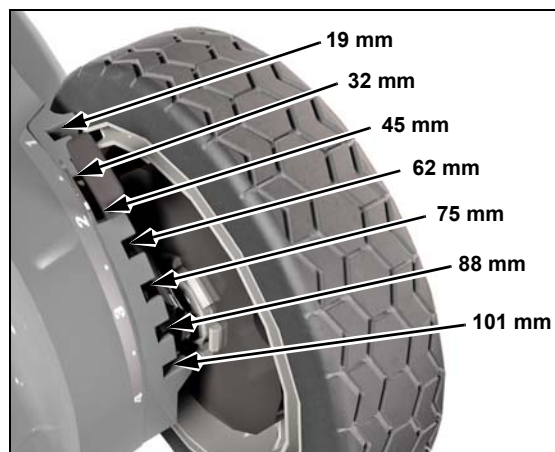
La regolazione varia da MIN a MAX. Con la leva Select Drive totalmente innestata:

MIN farà avanzare il tosaerba alla velocità minima.

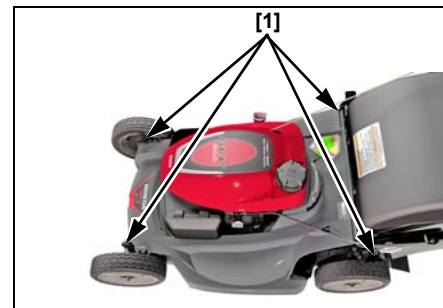
MAX farà avanzare il tosaerba alla velocità massima.

LEVETTE DI REGOLAZIONE DELL'ALTEZZA DI TAGLIO

Ci sono sei regolazioni dell'altezza. Le misure dell'altezza sono approssimative. L'effettiva altezza dipenderà dalle condizioni del prato e del terreno.



Vi è una levetta [1] di regolazione per ogni ruota.



MANOPOLA DI DIREZIONE DELLO SCARICO

La manopola di direzione dello scarico [1] regola raccolta, sminuzzatura e scarico posteriore. La manopola ha dieci posizioni di regolazione.



CONTROLLI PRIMA DELL'USO

SIETE PRONTI PER TOSARE?

Indossare sempre abiti che offrono una certa protezione. L'uso di pantaloni lunghi e di una protezione per gli occhi diminuisce il rischio di incidenti causati da oggetti scagliati. Utilizzare scarpe che proteggano i piedi e che non facciano scivolare, in particolare quando si tosano terreni in pendenza o poco uniformi.

ISPEZIONATE IL VOSTRO PRATO

Per vostra sicurezza e quella degli altri, ispezionate sempre la zona prima di tosare.

Oggetti

Qualsiasi cosa che possa venir raccolta dalla lama(e) e lanciata è un potenziale pericolo per voi e gli altri. Cercate cose come sassi, bastoni, ossa e filo di ferro e rimuovere dalla zona da tosare.

Persone e animali domestici

Persone ed animali vicini alla zona da tosare possono venir investiti o colpiti da oggetti lanciati. Assicurarsi che la zona sia libera da persone e animali domestici, e soprattutto da bambini. La loro sicurezza è una vostra responsabilità.

Il prato

Controllare la lunghezza e le condizioni dell'erba, in modo da sapere che altezza e velocità di tosatura usare.

Evitare di tosare erba bagnata. Non solo l'erba bagnata intaserà il piatto tosaerba e si raccoglierà in mucchietti sul prato, ma causerà una diminuzione nella trazione, aumentando il rischio di scivolare.

CONTROLLI AL TOSAERBA

⚠ AVVERTENZA

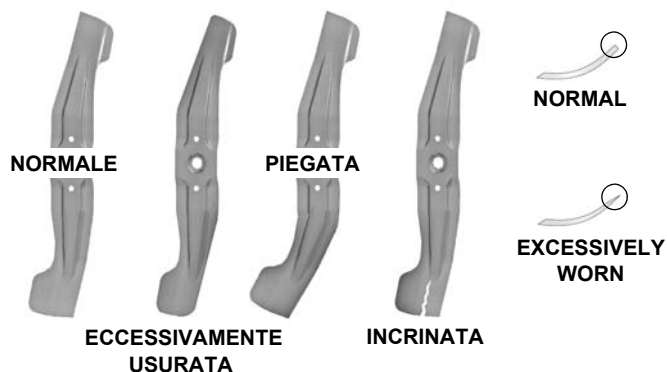
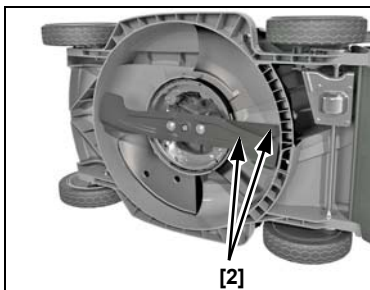
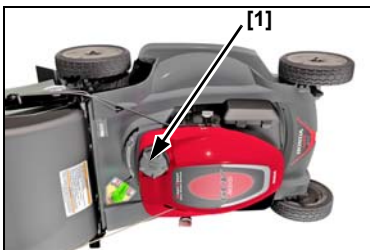
Una lama usurata, incrinata o danneggiata si può frantumare ed i pezzi della lama danneggiata possono divenire pericolosi proiettili.

Oggetti lanciati possono causare infortuni gravi.

Controllare la lama abitualmente ad intervalli regolari e non utilizzare il tosaerba con una lama usurata o danneggiata.

Lama(e)

1. Porre la levetta del gas in posizione STOP.
2. Porre la valvola del carburante in posizione CHIUSO.
3. Staccare il cappuccio dalla candela (pagina 13).
4. Inclinare il rasaerba sul lato destro in modo che il tappo di riempimento del carburante [1] sia rivolto verso l'alto. Ciò impedisce fuoriuscite di carburante, infiltrazioni di olio motore nel filtro aria e difficoltà di avviamento.
5. Controllare se le lame [2] sono danneggiate, incrinate, eccessivamente arrugginite o corrose.



Una lama poco affilata si può affilare, ma una lama usurata, piegata, incrinata o danneggiata in altro modo deve venir sostituita. Una lama usurata o danneggiata si può spezzare, ed i pezzi possono venir lanciati dal tosaerba.

Quando una lama abbisogna di venir affilata o sostituita portare il tosaerba da un concessionario autorizzato Honda. O, se avete una chiave tarata, potete togliere e montare la lama(e) voi stessi.

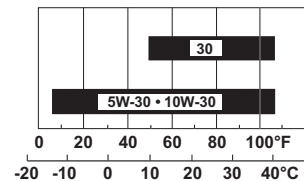
Controllare che i bulloni della lama siano ben serrati (pagina 15).

Livello dell'olio del motore

Controllare il livello dell'olio del motore a motore spento e con il tosaerba su di una superficie piana.

Usare olio per motori a 4 tempi che soddisfa o eccede i requisiti API per la classificazione come SJ o equivalente. Controllare sempre l'etichetta di servizio API sul contenitore dell'olio per assicurarsi che abbia le lettere SJ o equivalenti.

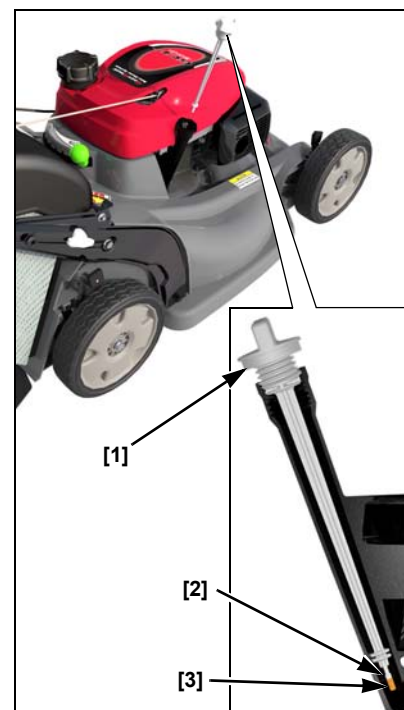
Si raccomanda l'olio SAE 10W-30 per uso generale. Possono venir usate altre viscosità indicate nella tabella in calce quando la temperatura media nella vostra zona cade entro la gamma indicata.



NOTA

- Far girare il motore con un livello d'olio basso può causare danni al motore.
- L'uso di un olio non detergente può abbreviare la durata di servizio del motore e l'uso di un olio a 2 tempi può danneggiare il motore.

1. Rimuovere il tappo del bocchettone di riempimento dell'olio/asta di livello [1], e pulire l'asta di livello.
2. Inserire l'asta di livello nel bocchettone di riempimento. Non avvitare. Controllare il livello dell'olio sull'asta di livello.
3. Se il livello dell'olio è vicino al segno di olio basso [3], aggiungere l'olio consigliato in modo da portare il livello fino al segno del limite di olio pieno [2]. Non riempire troppo.
4. Rimettere e chiudere ben stretto il tappo del bocchettone di riempimento dell'olio/asta di livello [1].



Carburante

Questo motore è certificato per funzionare con benzina verde con un numero di ottano (RON) pari o superiore a 91.

Si consiglia di rifornire il serbatoio dopo ogni utilizzo per minimizzare la presenza di aria nel serbatoio.

Rifornire di carburante in una zona ben ventilata prima di avviare il motore. Se il motore è stato in funzione, lasciar raffreddare. Non rifornire mai il tosaerba all'interno di un edificio dove i fumi della benzina possano raggiungere fiamme o scintille.

È possibile usare normale benzina senza piombo contenente non più del 10% di etanolo (E10) o 5% di metanolo in volume. In aggiunta, il metanolo deve contenere cosolventi e anticorrosivi. L'uso di carburante con contenuto di etanolo o metanolo superiore alle percentuali indicate sopra può causare problemi di avviamento e/o di prestazioni. Inoltre può causare danni alle parti in metallo, gomma e plastica del sistema di alimentazione. Inoltre, l'etanolo è igroscopico, il che significa che attrae e trattiene l'acqua nell'impianto del carburante. Danni al motore o problemi di prestazioni risultanti dall'uso di carburante con percentuali di etanolo o metanolo superiori a quelle indicate sopra non sono coperti dalla garanzia.

Se si prevede una ridotta frequenza di utilizzo, o un uso periodico intervallato da lunghi periodi di inutilizzo della macchina, (oltre 4 settimane tra un utilizzo e l'altro) fare riferimento alla sezione "Carburante" del capitolo "IMMAGAZZINAGGIO" (pagina 17), per ulteriori informazioni relative al deterioramento del carburante.

⚠ AVVERTENZA

La benzina è altamente infiammabile ed esplosiva.

L'uso di carburante può causare ustioni o lesioni gravi.

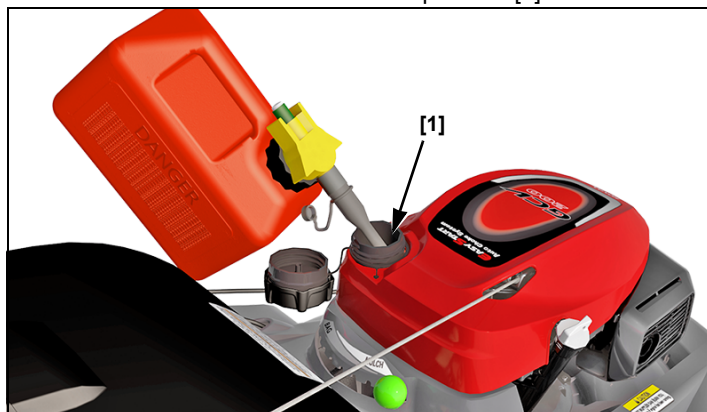
- Arrestare il motore e tenersi a distanza da fonti di calore, scintille e fiamme.
- Fare rifornimento solo all'aperto.
- Pulire immediatamente la benzina versata accidentalmente.

Non usare mai benzina vecchia o contenente impurità o una miscela olio/benzina. Evitare di far entrare sporco o acqua nel serbatoio del carburante.

NOTA

Il carburante può danneggiare vernice e plastica. Fare attenzione a non versare carburante accidentalmente quando riempiete il serbatoio. I danni causati da carburante versato accidentalmente non sono coperti da garanzia.

Togliere il tappo del serbatoio e controllare il livello del carburante. Riempire il serbatoio se il livello del carburante è basso. Fare attenzione nel fare rifornimento per evitare di versare carburante accidentalmente. Non riempire eccessivamente; non ci dovrebbe essere carburante nel bocchettone di riempimento [1].



Dopo aver fatto rifornimento, chiudere ben stretto il tappo del serbatoio del carburante.

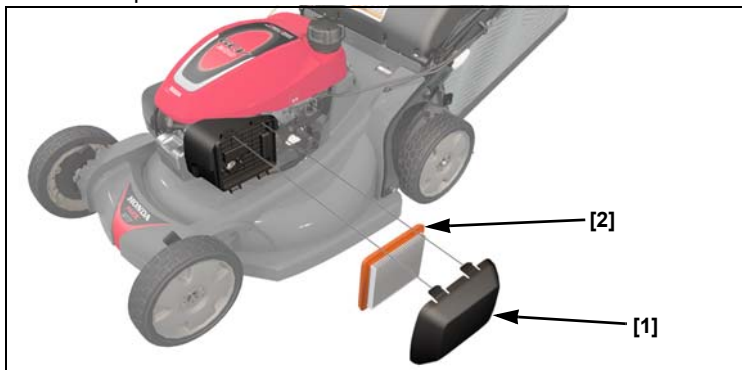
Spostare il tosaerba di almeno 3 metri dalla fonte e dalla sede di rifornimento prima di avviare il motore.

Contenitore di stoccaggio del carburante

Conservare il carburante in un contenitore in plastica pulito e sigillato, approvato per l'immagazzinamento di carburante. Chiudere lo sfiato (se in dotazione) quando non è utilizzato, e tenere il contenitore lontano dalla luce solare diretta. Se ci vogliono più di 3 mesi a consumare il carburante nel contenitore, è consigliabile aggiungere uno stabilizzatore di carburante al carburante stesso quando si riempie il contenitore.

Controllo del depuratore dell'aria

Togliere il coperchio [1]. Controllare che il filtro dell'aria [2] sia pulito e in buone condizioni. Un filtro dell'aria sporco limita il flusso dell'aria al carburatore, riducendo le prestazioni del motore. Vedere a pagina 13 le istruzioni per la manutenzione del filtro dell'aria.



Regolazione dell'altezza della stegola

Regolare l'altezza del manubrio in una posizione confortevole (pagina 8).

Sacco raccogli-erba

Un tosaerba funziona come un aspirapolvere; soffia l'aria attraverso il sacco che trattiene l'erba tagliata. Svuotare sempre il sacco dell'erba prima che si riempia completamente. La funzione di riempimento perde di efficienza dopo che il sacco raccogli-erba è pieno oltre il 90%. Inoltre il sacco raccogli-erba è più facile da svuotare quando non è riempito completamente.

Controllo

Durante il normale utilizzo, il materiale del sacco raccogliitore è soggetto a deterioramento ed usura.

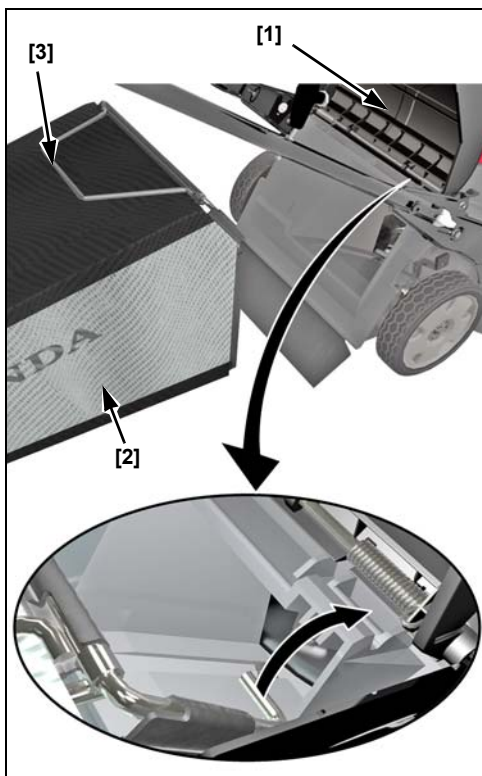
NOTA

Controllare il sacco raccogli-erba per strappi, buchi ed un logorio eccessivo. Il sacco raccogli-erba normalmente si logora dopo un certo periodo ed eventualmente va sostituito.

Se il sacco raccogli-erba necessita di venir sostituito potete toglierlo e montarne uno nuovo voi stessi (pagina 15).

Montaggio

1. Sollevare il parasassi [1], usare la maniglia del sacco raccogli-erba [3] e agganciare il sacco raccogli-erba [2] sul piatto tosaerba del tosatore come illustrato nella figura.
2. Rilasciare il parasassi per assicurare il fissaggio del sacco raccogli-erba.

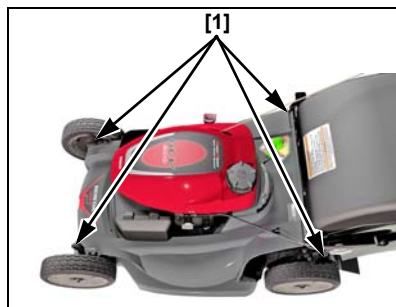


Smontaggio

1. Sollevare il parasassi, rimuovere il sacco raccogli-erba afferrandolo per la maniglia.
2. Lasciare il parasassi.
3. Quando il sacco raccogli-erba è fuori dalla portata del parasassi, potete sollevarlo passando attraverso l'apertura della stegola, oppure toglierlo da dietro il tosaerba sotto la stegola.

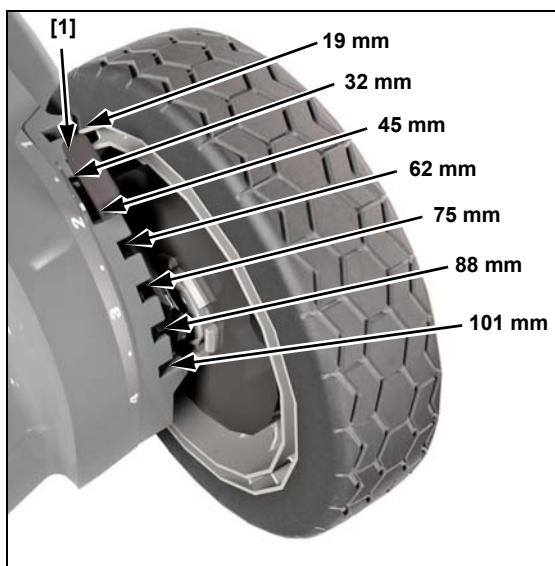
Altezza di tosatura

Controllate la regolazione dell'altezza di tosatura, e assicuratevi che tutte e quattro le levette di regolazione [1] siano state poste alla stessa altezza di tosatura.



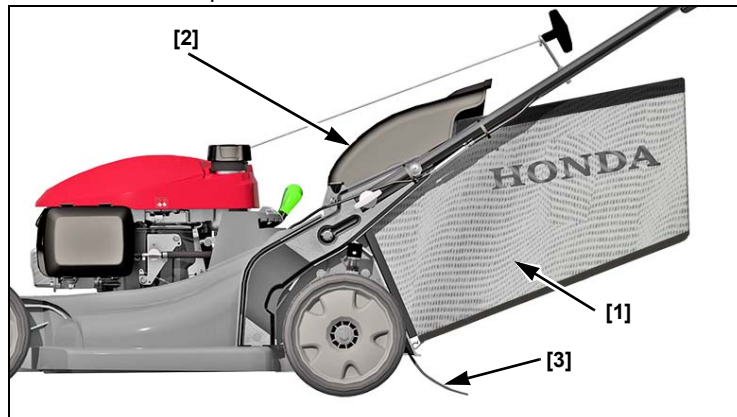
Per regolare l'altezza di tosatura, tirare ciascuna levetta di regolazione [1] verso la ruota, e spostarla su di un'altra tacca.

Se non siete sicuri di che altezza di tosatura scegliere, cominciate con una regolazione elevata e controllare l'aspetto del prato dopo aver tosato un piccolo spazio. Modificare la regolazione dell'altezza di tosatura se necessario.



SCHERMO POSTERIORE

Durante il normale utilizzo, lo schermo posteriore è soggetto a deterioramento e usura. Rimuovere il raccogli-erba e sollevare la protezione di scarico [2] per verificare che sullo schermo non siano presenti tagli o incrinature. Nel caso in cui lo schermo posteriore [1] risultasse eccessivamente usurato, rivolgersi a un concessionario Honda autorizzato per la sostituzione.

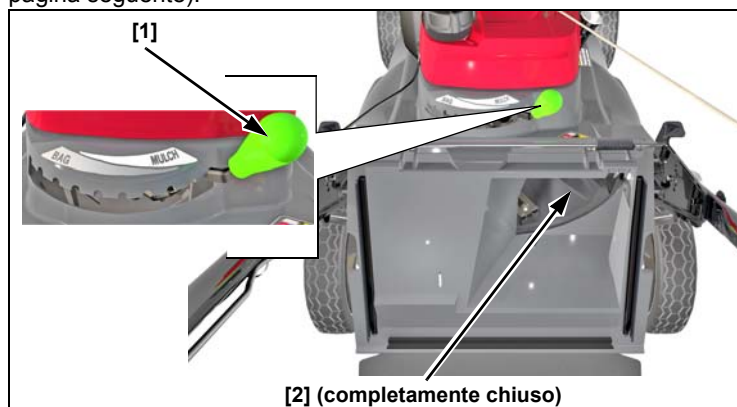


DIREZIONE DELLO SCARICO

Regolazione della manopola di direzione dello scarico

Regolare la manopola di direzione dello scarico [1] in una delle dieci posizioni disponibili per tosare il prato nel modo desiderato.

Per regolare la manopola di direzione dello scarico, spingere la manopola verso il basso e in direzione del retro del tosaerba. La manopola regola uno sportello scorrevole [2] dalla posizione completamente aperta per raccolta "BAG" alla posizione completamente chiusa per sminuzzatura "MULCH" (vedere alla pagina seguente).



Se si incontra una notevole resistenza nel corso della regolazione della manopola da una posizione all'altra, significa che una quantità eccessiva di erba potrebbe essersi accumulata sulla parte superiore dello sportello scorrevole.

Quando la manopola direzione dello scarico si trova in posizione di chiusura completa, è normale si verifichi un parziale accumulo di erba in corrispondenza dell'apertura di scarico. Per rimuovere l'erba, chiudere la protezione di scarico, portare la manopola direzione dello scarico in posizione di apertura completa, avviare il motore ed azionare più volte la leva di controllo lama.

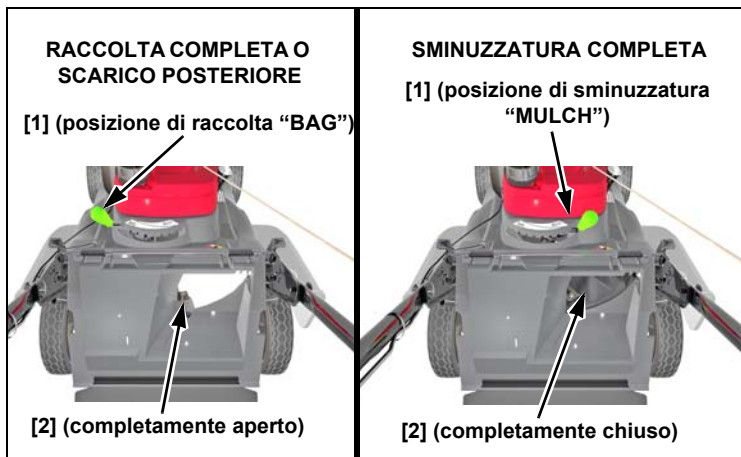
Imorotante Precauzione Di Sicurezza

Spegnere sempre il motore e scollegare il cappuccio della candela prima di sollevare il parasassi per controllare o per pulire lo sportello scorrevole. In questo modo si eviterà il contatto con le lame rotanti e il lancio di oggetti all'interno dell'area di scarico.

Regolazione dello sportello scorrevole

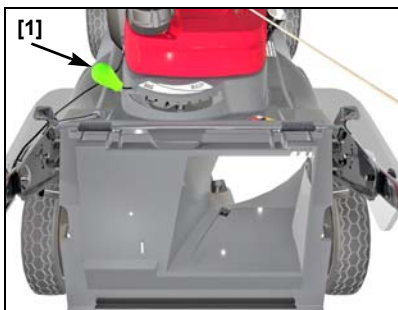
Lo sportello scorrevole [2] può essere regolato in modo da ottenere diversi risultati di tosatura. Se non si è deciso come regolare lo sportello,

inserire un sacco raccogliherba e iniziare a tosare con la manopola di direzione dello scarico [1] completamente spostata nella posizione di raccolta "BAG". Controllare l'aspetto del prato. Se si sposta la manopola verso la posizione di sminuzzatura "MULCH", una maggiore quantità di erba verrà riversata sul prato. Regolare la manopola di direzione dello scarico per ottenere il risultato desiderato.



Scarico posteriore

Per scaricare l'erba tagliata dal retro del tosaerba, rimuovere il sacco raccogliherba e spostare la manopola di direzione dello scarico [1] nella posizione di raccolta "BAG".



Spostando la manopola completamente verso sinistra nella posizione di raccolta (BAG), si otterrà il massimo scarico posteriore. Spostando la manopola verso destra nella posizione di sminuzzatura (MULCH), una minore quantità di erba verrà scaricata attraverso il parasassi posteriore.



USO

PRECAUZIONI PER L'USO

Prima di utilizzare il tosaerba per la prima volta, si prega di consultare ISTRUZIONI SULLA SICUREZZA (pagina 2) and CONTROLLI PRIMA DELL'USO (pagina 6).

Anche se avete adoperato altri tosaerba, prendete il tempo di familiarizzarvi con il funzionamento del tosaerba e fate pratica in una zona sicura fino a quando non abbiate affinato la vostra tecnica.

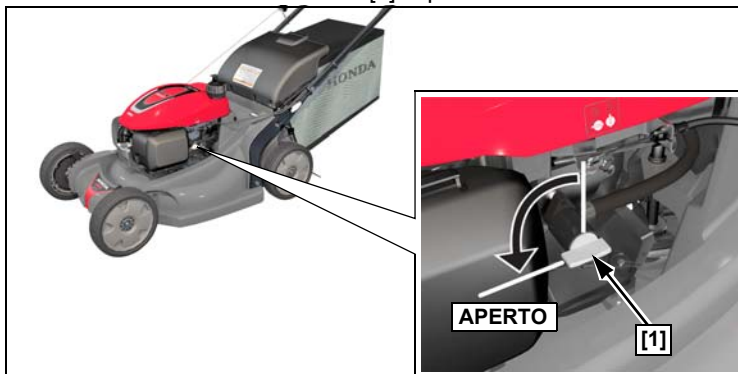
Per la vostra sicurezza, evitate di avviare e adoperare il motore in un ambiente chiuso quale un garage. I fumi di scarico del tosaerba contengono monossido di carbonio, un gas velenoso, il quale si può concentrare rapidamente in un ambiente chiuso e può causare un avvelenamento o la morte.

FREQUENZA D'USO

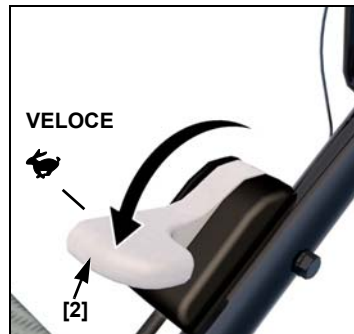
Se si prevede una ridotta frequenza di utilizzo, o un uso periodico intervallato da lunghi periodi di inutilizzo della macchina, (oltre 4 settimane tra un utilizzo e l'altro) fare riferimento alla sezione "Carburante" del capitolo "IMMAGAZZINAGGIO" (pagina 16), per ulteriori informazioni relative al deterioramento del carburante.

AVVIAMENTO DEL MOTORE

1. Porre la valvola del carburante [1] in posizione APERTO.



2. Spostare la leva del gas [2] sulla posizione veloce (↻).



3. Tirare leggermente l'impugnatura dell'avviatore [1] fino a quando non si sente una certa resistenza e, a quel punto, tirare con decisione. Riaccompagnare l'impugnatura dell'avviatore con delicatezza.

Per impedire alle lame di girare e per prevenire un movimento in avanti del tosaerba, disinserire sempre la leva di comando della lama e la leva di innesto della trasmissione quando si usa l'avviatore.

4. Porre la levetta del gas [1] nella posizione veloce (↻) per tosare o nella posizione lento (↻) per tenere il minimo.

Per riavviare agevolmente l'Auto Choke System e assicurarsi una prestazione ottimale far funzionare il motore avviato a freddo per almeno tre minuti prima di spegnerlo. Il tempo minimo di funzionamento dovrà essere più lungo se la temperatura è inferiore a 21 °C.

Uso a quote elevate

A quote elevate la normale miscela di aria e carburante del carburatore sarà troppo ricca. Le prestazioni diminuiranno ed aumenterà il consumo di carburante. Una miscela molto ricca tenderà inoltre a sporcare la candela ed a causare difficoltà di avviamento.

Le prestazioni a quote elevate possono venir migliorate tramite specifiche modifiche al carburatore. Se utilizzate sempre il tosaerba a quote superiori ai 1.500 metri, chiedete al vostro concessionario Honda di apportare un'opportuna modifica al carburatore.

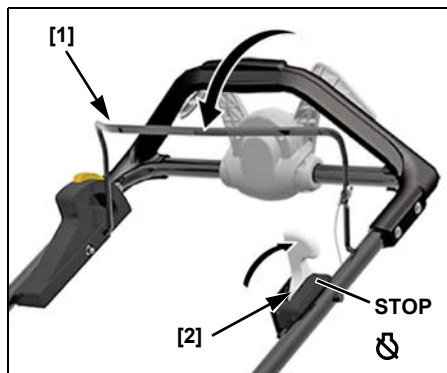
Nonostante la modifica al carburatore, la potenza in cavalli del motore subirà una diminuzione di circa il 3,5% per ogni aumento di quota di 300 metri. L'effetto dell'altitudine sulla potenza in cavalli sarà maggiore nel caso non si apporti l'opportuna modifica al carburatore.

NOTA

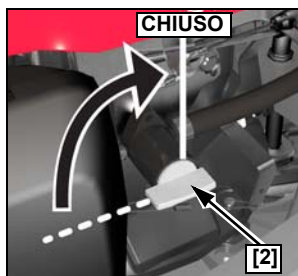
Nel caso il carburatore sia stato modificato per l'uso a quote elevate, la miscela aria-carburante sarà troppo povera per un uso a quote inferiori. Un uso del motore con il carburatore modificato al di sotto dei 1.500 metri può causare un surriscaldamento del motore e dare luogo a dei gravi danni al motore stesso. Nel caso di uso a quote più basse, chiedete al vostro concessionario Honda di ripristinare il carburatore alle condizioni originali della fabbrica.

ARRESTO DEL MOTORE

1. Disinserire la leva di comando della lama [1].
2. Spostare la levetta del gas [2] in posizione STOP (S).



3. Quando il tosaerba non viene usato, porre la valvola del carburante sulla posizione CHIUSO.



4. Se il rasaerba non verrà utilizzato per 3 - 4 settimane, si consiglia di scaricare completamente il carburante dal carburatore del motore. Per fare ciò, lasciare la valvola del carburante su OFF e riavviare il motore lasciandolo in funzione finché il carburante non è esaurito. Vedere il capitolo "IMMAGAZZINAMENTO" (pagina 16) per periodi di inattività superiori a 4 settimane.

PER TOSARE IN MANIERA SICURA

Per la vostra sicurezza, mantenere tutte e quattro le ruote sul terreno, e fare attenzione di evitare di perdere l'equilibrio o il controllo del tosaerba. Mantenere una buona presa della stegola e camminare, mai correre, quando si usa il tosaerba. Fare molta attenzione quando si tosa un terreno non piano o dissestato.

Se rimanete incastrati, non calciare o spingere il tosaerba con il piede. Usate la stegola per controllare il tosaerba.

PERICOLO

I mezzi di taglio sono taglienti e rotazione ad alta velocità.

Se si entra in contatto con una filatura mezzi di taglio, che taglierà severamente e può amputare le dita e dei piedi.

- Utilizzare delle scarpe resistenti che proteggano.
- Tenete mani e piedi lontani dal piatto tosaerba quando il motore è in funzione.
- Arrestare il motore prima di svolgere qualsiasi genere di regolazione, controllo o manutenzione.

Terreni in pendenza

Tosare lungo il terreno in pendenza, non su e giù. Non tosare terreni troppo in pendenza (oltre 20°) e fate attenzione quando cambiate direzione su di un terreno in pendenza. Tosare un terreno in pendenza quando l'erba è umida o bagnata vi può far scivolare, cadere e perdere il controllo del tosaerba.



Ostacoli

Usare il lato del tosaerba per tagliare vicino a grossi ostacoli, quali steccati o muri.

Disinserire la leva di innesto della trasmissione per staccare la trasmissione per tosare intorno ad alberi ed altri ostacoli. Spingere il tosaerba intorno agli ostacoli per un miglior controllo direzionale. Fate attenzione nel tosare in prossimità di ostacoli conficcati nel prato, quali girandole, selciati, spigoli ecc. Evitare qualunque cosa che sporga dalla superficie del prato.

Se la lama colpisce qualche cosa, o se il tosaerba comincia a vibrare, arrestare immediatamente il motore e controllare per eventuali danni. Il colpire oggetti può danneggiare la lama, piegare l'albero motore, e/o rompere il piatto tosaerba o altri componenti. Una vibrazione solitamente è sintomo di un problema grave.

AVVERTENZA

Una lama usurata, incrinata o danneggiata si può frantumare ed i pezzi della lama danneggiata possono divenire pericolosi proiettili.

Oggetti lanciati possono causare infortuni gravi.

Controllare la lama abitualmente ad intervalli regolari e non utilizzare il tosaerba con una lama usurata o danneggiata.

La garanzia non copre le parti danneggiate da incidenti o collisioni.

Ghiaietto e oggetti mobili

Ghiaietto, sassi mobili e materiale vario può venir raccolto dal tosaerba e lanciato a diversi metri di distanza con forza sufficiente da causare infortuni personali gravi e/o danni alle cose. Il modo migliore per prevenire potenziali infortuni da oggetti lanciati è di disinserire la levetta di comando della lama in modo da arrestarne il movimento prima di giungere in zone con ghiaietto, sassi mobili o materiali vari.

CONSIGLI SULLA TOSATURA

Quando tosare

La maggior parte dell'erba va tosata quando ha raggiunto un'altezza da 1 centimetro e mezzo a 2 centimetri e mezzo oltre l'altezza consigliata.

La sminuzzatura richiede di tosare con maggiore frequenza che se si raccoglie l'erba in sacchi. Per ottenere i migliori risultati può essere necessario tosare il prato due volte la settimana durante la stagione dell'accrescimento.

L'altezza di tosatura

Consultare un vivaio, o un centro di giardinaggio della zona, per dei consigli sull'altezza di tosatura, su specifici tipi di erba e sulle condizioni relative alla crescita della vostra zona.



ABBASTANZA LUNGO

Se osservate da vicino, vedrete che la maggior parte dell'erba ha stelo e foglie. Se tagliate completamente le foglie danneggiate il prato. Lasciate che il prato recuperi tra tosature. Il tosaerba funzionerà meglio ed il prato avrà un aspetto migliore.



TROPPO CORTO

Se l'erba è cresciuta troppo alta, tagliatela una prima volta all'altezza di tosatura più elevata, poi tosare nuovamente dopo 2 o 3 giorni. Non togliere più di un terzo dell'altezza totale dell'erba in una singola tosatura, in quanto può causare la formazione di chiazze marroni.

Il funzionamento delle levette di regolazione dell'altezza è illustrato nel capitolo sui *COMANDI* (pagina 5).

Ampiezza di tosatura

Per ottenere un aspetto uniforme tagliare in modo che ci sia una sovrapposizione di alcuni centimetri tra ogni corsia. Se l'erba è molto alta o folta, tosare delle corsie più strette, con una maggiore sovrapposizione tra corsie.

Velocità della lama

La lama deve ruotare molto velocemente per tosare bene. Usare sempre la regolazione veloce del gas, e tenete il motore al massimo dei giri.

Se la velocità del motore diminuisce potrebbe significare che il motore è in sovraccarico in quanto la lama sta cercando di tosare troppa erba. Tosare una corsia più stretta di erba, muovere il tosaerba più piano o alzare l'altezza di tosatura.

Affilatura della lama

Una lama affilata tosa in maniera netta. Una lama poco affilata strappa l'erba, lasciando delle punte spezzettate che assumono un colore marrone. Quando la vostra lama non tosa più in maniera netta, farla affilare o sostituire.

Erba secca

Se il terreno è troppo secco tosare solleverà parecchia polvere. Oltre ad essere poco piacevole per lavorare, troppa polvere intascherà il filtro dell'aria del carburatore.

Se la polvere è un problema, innaffiare il prato il giorno prima di tosare. Tosare quando l'erba è asciutta al tatto ma il terreno è ancora umido.

Erba bagnata

Quando l'erba è bagnata diventa scivolosa e può farvi perdere l'equilibrio. Inoltre, i pezzetti d'erba tagliati quando sono bagnati tendono ad intasare il piatto tosaerba ed ad attaccarsi assieme in mucchi sul prato. Aspettare sempre che l'erba si asciughi prima di tosare.

Foglie cadute

Il tosaerba può essere utilizzato per raccogliere foglie cadute. Se si usa il tosaerba per raccogliere grosse quantità di foglie e non per tosare il prato, regolare le leve per l'altezza di taglio in modo che la parte anteriore del piatto tosaerba risulti una o due regolazioni più in alto rispetto alla parte posteriore. Per iniziare, spostare la manopola di direzione dello scarico nella posizione N.9 (non del tutto su sminuzzatura completa). Questa regolazione consentirà di far ricircolare le foglie e di tagliarle nuovamente in particelle piccole abbastanza da passare attraverso lo sportello scorrevole ed essere raccolte nel sacco raccoglierba. A seconda della dimensione, del tipo

e del contenuto d'acqua delle foglie, potrebbe essere necessario aprire lo sportello scorrevole per consentire una raccolta migliore. L'uso corretto dello sportello scorrevole consentirà di riempire il sacco raccoglierba nel modo più efficace e limiterà il numero di svuotamenti del sacco. Accertarsi che non vi siano ostacoli, inclusi sassi, nascosti sotto le foglie.

Se si desidera utilizzare come concime le foglie cadute sul prato, non lasciare che i cumuli diventino troppo grossi prima di iniziare. Per ottenere i risultati migliori, iniziare a sminuzzare le foglie quando l'erba è ancora visibile sotto lo strato di foglie. Negli spazi dove le foglie ricoprono completamente il prato, rimuoverle con un rastrello oppure usare il sacco raccoglierba per raccoglierle con il tosaerba. Spostare la manopola di direzione dello scarico nella posizione di sminuzzatura "MULCH".

Piatto tosaerba intasato

Prima di pulire un piatto tosaerba intasato, arrestare il motore e porre la valvola del carburante in posizione CHIUSO. Dopo aver staccato il cappuccio della candela, inclinare il tosaerba in modo che il carburatore sia rivolto verso l'alto.

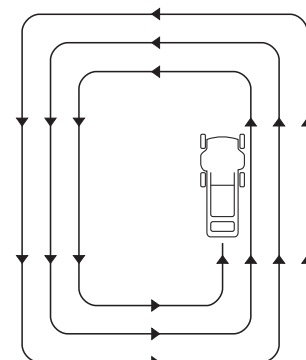
Pulire il piatto tosaerba con un bastone, non con le mani.

Schemi di tosatura

Il vostro tosaerba avrà la massima efficienza se seguite per quanto possibile i seguenti schemi di tosatura. La conformazione del piatto tosaerba, oltre che il senso di rotazione della lama, fanno sì che i seguenti schemi di tosatura diano i risultati migliori.

Sminuzzatura

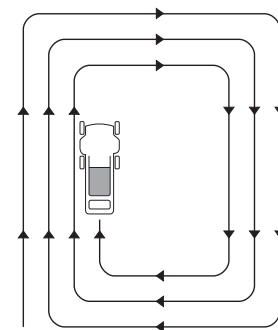
Seguire uno schema di tosatura in senso antiorario quando la manopola di direzione dello scarico si trova nella posizione di sminuzzatura "MULCH". Se il prato ha una forma irregolare, o presenta molti ostacoli, suddividerlo in sezioni dove sia possibile usare lo schema di tosatura in senso antiorario.



SCHEMA PER LA SMINUZZATURA

Raccolta

Seguire uno schema di tosatura in senso orario. Questo schema offre la migliore performance di raccolta e direzione dello scarico in quanto lascia la minor quantità di erba tagliata sul prato.



SCHEMA DI RACCOLTA E SCARICO POSTERIORE

Tosatura del prato con scarico posteriore

Rimuovere il sacco raccoglierba e chiudere il parasassi. Regolare la manopola di direzione dello scarico nella posizione desiderata e iniziare a tosare seguendo uno schema in senso orario. Se il prato ha una forma irregolare, o presenta molti ostacoli, suddividerlo in sezioni.

MANUTENZIONE

L'IMPORTANZA DELLA MANUTENZIONE

Una buona manutenzione è essenziale per un funzionamento sicuro, economico e senza problemi. Aiuta anche a diminuire l'inquinamento atmosferico.

Per aiutarvi a prendervi cura adeguatamente del vostro tosaerba, le pagine seguenti includono un programma di manutenzione, delle periodiche procedure di controllo e delle semplici procedure di manutenzione che richiedono l'uso di alcuni semplici attrezzi a mano. Altre procedure di manutenzione più difficili è meglio che vengano svolte da professionisti e normalmente vengono svolte da un tecnico Honda o da un altro meccanico qualificato.

Il programma di manutenzione si applica all'uso in condizioni normali. Se adoperate il tosaerba in condizione insolite, consultare un concessionario autorizzato Honda per dei consigli che fanno al caso vostro.

Ricordare che il vostro concessionario Honda conosce il vostro tosaerba meglio di tutti ed ha tutti gli attrezzi per svolgere la manutenzione e le riparazioni.

Per assicurare la massima qualità ed affidabilità, utilizzare solo componenti nuovi originali Honda o i loro equivalenti per riparazioni e sostituzioni.

AVVERTENZA

Una manutenzione inadeguata, o la mancata correzione di un problema prima dell'uso, può provocare un errato funzionamento a causa del quale potreste venir feriti gravemente od uccisi.

Seguire sempre le raccomandazioni ed i programmi di controllo e manutenzione contenuti in questo manuale dell'utente.

LA SICUREZZA DURANTE LA MANUTENZIONE

Seguono alcune delle più importanti precauzioni di sicurezza. Tuttavia non vi possiamo avvertire di ogni rischio immaginabile che possa insorgere nell'eseguire la manutenzione. Solo voi potete decidere se è il caso che svolgiate un determinato compito di manutenzione o meno.

AVVERTENZA

La mancata osservanza delle istruzioni e le precauzioni di manutenzione può far sì che rimaniate feriti gravemente od uccisi.

Seguire sempre le procedure e precauzioni contenute in questo manuale dell'utente.

Precauzioni di sicurezza

- Assicurarsi che il motore sia spento prima di intraprendere qualsiasi operazione di manutenzione o riparazione. Questo eliminerà diversi potenziali rischi:
 - **Avvelenamento da monossido di carbonio dai fumi di scarico del motore.**
Assicurarsi che vi sia una ventilazione adeguata ogni qualvolta azionate il motore.
 - **Ustioni da componenti che scottano.**
Lasciar raffreddare il motore e l'impianto di scappamento prima di toccare.
 - **Ferite da parti in movimento.**
Non azionare il motore a meno che non sia scritto nelle istruzioni.

- Leggere le istruzioni prima di cominciare, ed assicuratevi di avere gli attrezzi e le capacità necessarie.
- Per ridurre la possibilità di incendio o di esplosione, fare attenzione quando si lavora in prossimità di benzina. Usare solo solventi non infiammabili, non benzina, per pulire i componenti. Tenere sigarette, scintille e fiamme a distanza da tutti i componenti che hanno a che vedere con il carburante.

PROGRAMMA DI MANUTENZIONE

Svolgere ad ogni mese indicato o ad ogni intervallo di ore di funzionamento, a seconda di quello che trascorre prima.

Intervallo	Componente	Pagina
Prima di ogni uso	Schermo posteriore: Controllare Condizione della lama: Controllare Controllare il funzionamento della leva di comando della lama bullone della lama: Controllare Sacco raccogli-erba: Controllare Olio del motore: Controllare Depuratore dell'aria: Controllare	pagina 8 pagina 6 pagina 5 pagina 15 pagina 4 pagina 6 pagina 7
Primo mese o 5 ore	Olio del motore: Cambiare Cavo di Select Drive: Regolare	pagina 13 pagina 14
Primo 20 ore	Depuratore dell'aria: Pulire ¹ Cavo di controllo della lama: Regolare ² Cavo di Select Drive: Regolare	pagina 13 pagina 14
Ogni 6 mesi o 50 ore	Olio del motore: Cambiare ¹ Depuratore dell'aria: Pulire ¹ Cavo di Select Drive: Regolare	pagina 13 pagina 13 pagina 14
Ogne anno o 100 ore	6 articoli mese, ed inoltre: Candela: Pulire-Regolare Parascintille: Pulire ³ (if equipped) Cavo di controllo della lama: Regolare Cavo di innesto della trasmissione: Regolare ² Pignoni ingranaggio: Lubrifiche ² Meccanismo di controllo della lama: Controllare ² Gioco della valvola: Regolare ² Velocità del minimo: Controllare-Regolare ² Serbatoio del carburante: Pulire ²	pagina 13 pagina 14 pagina 14
Ogni due anni o 200 ore	Elementi annuale, ed inoltre: Depuratore dell'aria: Sostituire Candela: Sostituire Ispezionare-Lubrifiche ruota di regolazione posteriore boccola ²	pagina 13 pagina 13
Ogni due anni	Tube del carburante: Sostituire ²	

1. Fare la manutenzione più di frequente quando viene utilizzato in zone polverose.
2. La manutenzione su questi componenti andrebbe fatta da un concessionario autorizzato Honda, a meno che non abbiate gli attrezzi adeguati e abbiate una buona conoscenza meccanica. Consultare il manuale di officina Honda per le procedure di manutenzione.
3. In Europa e in altri paesi in cui è in vigore la direttiva macchine 2006/42/EC, questa pulizia dovrebbe essere eseguita dal vostro centro assistenza.

La mancata osservanza del programma di manutenzione potrebbe risultare in guasti non coperti dalla garanzia.

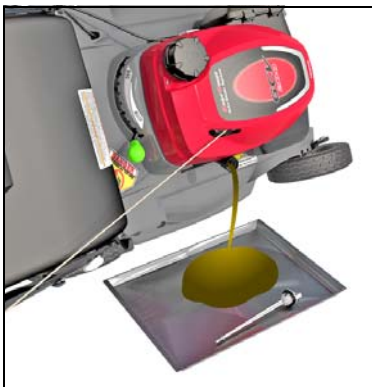
MANUTENZIONE DEL MOTORE

Cambio dell'olio del motore

Scolare l'olio a motore caldo. Quando è caldo l'olio scola velocemente e completamente.

1. Porre la levetta del gas nella posizione di STOP e la valvola del carburante in posizione CHIUSO. Questo riduce la possibilità di perdite di carburante (pagina 5).
2. Pulire la zona del filtro dell'olio, poi rimuovere il tappo del bocchettone di riempimento/asta di livello.

3. Porre un contenitore adatto accanto al tosaerba per raccogliere l'olio usato, poi inclinare il tosaerba sul suo fianco destro. L'olio usato scolerà attraverso il bocchettone di riempimento. Permettere all'olio di scolare completamente.



Si prega di scartare l'olio usato ed i contenitori in maniera compatibile con l'ambiente. Sugeriamo di portare l'olio in un contenitore sigillato presso un centro di riciclaggio della zona od una stazione di servizio che poi lo ricicli. Non buttare l'olio usato nei rifiuti, non versarlo nel terreno o in uno scarico.

4. Riempire con l'olio consigliato (pagina 6).

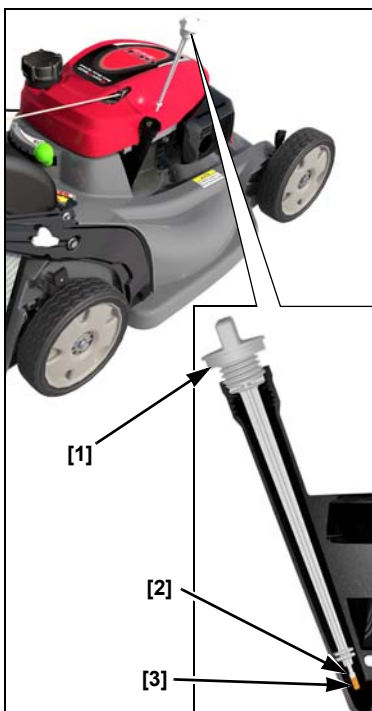
Quantità di riempimento:
0,35 ~ 0,40 L

Non riempire eccessivamente. Misurare il livello dell'olio come illustrato alla pagina seguente.



5. Dopo aver cambiato l'olio del motore, e prima di avviare il motore, controllare il livello dell'olio mantenendo il tosaerba su di una superficie piana:

- a. Togliere il tappo del bocchettone/asta di riempimento [1].
- b. Pulire l'asta di livello.
- c. Inserire e togliere l'asta di livello [1] senza avvitarla nel bocchettone di riempimento. Controllate il livello dell'olio sull'asta di livello.



- d. Se il livello dell'olio è inferiore al segno di olio basso [3], aggiungere l'olio in modo da portare il livello fino al segno del limite di olio pieno [2] sull'asta di livello. Non riempire troppo. Se il motore viene riempito troppo l'olio in eccesso può venir

trasferito sulla scatola del depuratore dell'aria e sui componenti del depuratore dell'aria.

NOTA

Far funzionare il motore con un livello dell'olio basso può causare danni al motore.

- e. Chiudere ben stretto il tappo del bocchettone di riempimento/asta di livello.

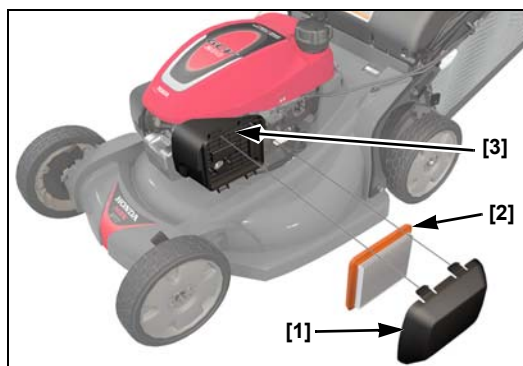
La manutenzione al depuratore dell'aria

Un filtro dell'aria sottoposto ad adeguata manutenzione aiuta a prevenire la penetrazione della sporcizia nel motore. La sporcizia penetrata nel carburatore può essere aspirata nei suoi passaggi più ristretti e determinare l'usura prematura del motore. Questi passaggi possono bloccarsi, determinando problemi di avviamento o funzionamento. Utilizzare sempre il filtro dell'aria specificato per il motore, onde garantire che sia a perfetta tenuta e operi come previsto.

NOTA

Il mancato utilizzo di filtri dell'aria o l'uso di filtri danneggiati consente allo sporco di entrare nel motore, provocandone una rapida usura. Questo genere di danni non è coperto dalla garanzia.

1. Premere le linguette sul coperchio del filtro dell'aria [1], quindi rimuovere il coperchio.
2. Togliere il filtro [2] dall'alloggiamento [3].
3. Controllare il filtro; se è danneggiato, sostituirlo.



4. Pulire il filtro battendolo con delicatezza più volte su una superficie dura per rimuovere la polvere, o facendovi passare dall'interno aria compressa (non superiore ai 207 kPa). Non spazzolare il filtro, poiché in questo modo lo sporco si incastra tra le fibre.
5. Pulire lo sporco presente all'interno dell'alloggiamento del filtro, utilizzando un panno umido. Fare attenzione a non fare entrare lo sporco nel condotto dell'aria che conduce al carburatore.
6. Rimontare il filtro e il coperchio.

Manutenzione delle candele

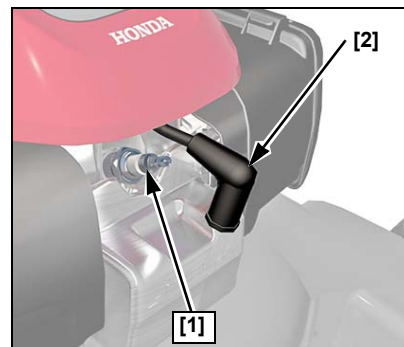
Candele consigliate: NGK - BPR5ES

NOTA

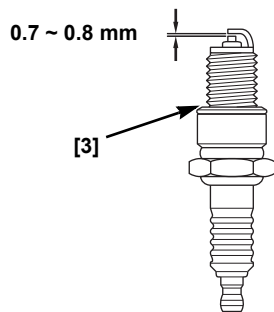
Delle candele sbagliate possono causare danni al motore.

Per delle buone prestazioni, la candela [1] deve avere la corretta spaziatura ed essere libera da incrostazioni.

1. Staccare il cappuccio della candela [2] e togliere lo sporco dalla zona intorno alla candela.
2. Togliere la candela [1] utilizzando una chiave per candele.



3. Controllare la candela. Sostituire se gli elettrodi sono usurati, o se l'isolatore è incrinato o scheggiato.



4. Misurare la spaziatura dell'elettrodo della candela con un calibratore adatto. La spaziatura dovrebbe essere compresa tra 0,7 ~ 0,8 mm. Correggere la spaziatura se necessario, piegando attentamente l'elettrodo laterale.

5. Montare la candela attentamente, a mano, facendo attenzione di infilare bene la filettatura.

6. Dopo che la candela è ritornata nel suo sito, stringere con una chiave per candele per comprimere la rondella.

Se rimontate una candela vecchia, stringere ulteriormente da 1/8 fino ad 1/4 di giro dopo che la candela è tornata in sito. Se montate una candela nuova, stringere di 1/2 giro dopo che la candela è tornata in sito per comprimere la rondella [3].

Forza di serraggio del bullone: 20 Nm

NOTA

Una candela allentata si può surriscaldare e danneggiare il motore. Stringere eccessivamente la candela può danneggiare la filettatura della testa del cilindro.

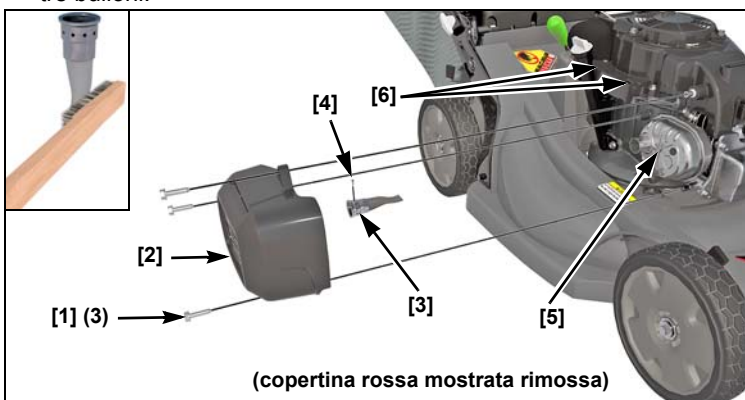
7. Rimontare il cappuccio della candela sulla candela stessa.

Manutenzione Del Parascintille

In Europa e in altri paesi in cui è in vigore la direttiva macchine 2006/42/EC, questa pulizia dovrebbe essere eseguita dal vostro centro assistenza.

La manutenzione del parascintille va eseguita ogni 100 ore di funzionamento per mantenere intatta la funzionalità.

1. Fare raffreddare il motore.
2. Disimpegnare le due linguette sul coperchio rosso [6] sul lato marmitta del motore, quindi sollevare leggermente il coperchio.
3. Quindi rimuovere i tre bulloni [1] dallo schermo di protezione della marmitta [2], servendosi di una chiave a brugola da 10 mm.
4. Togliere lo schermo di protezione della marmitta [2].
5. Allentare le vite di fermo [4].
6. Togliere il parascintille [3] dalla marmitta [5].
7. Controllare che non vi siano incrostazioni di carbonio sul parascintille [3] e sull'apertura dello scappamento. Eliminare eventuali depositi di carbonio. Fare attenzione a non danneggiare lo schermo del parascintille [3].
8. Installare il parascintille nella marmitta.
9. Installare i componenti della marmitta nel motore e fissare bene i tre bulloni.



REGOLAZIONI DEL CAVO DI COMANDO

Regolazione del cavo di trasmissione

Con il motore spento, allentare il controdado [1] di un giro.

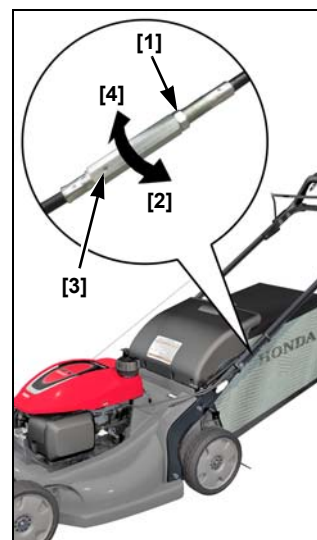
Stringere il regolatore [4] ruotando CW un giro a mano, e poi tirare il tosaerba all'indietro per controllare la resistenza.

Se le ruote non oppongono nessuna resistenza, ripetere la procedura indicata sopra fino a bloccarle quando si tira indietro il tosaerba.

Avanti, segnare il regolatore [3] ed ALLENTARE [2] il regolatore CCW otto giri completi.

Tenere saldo il tenditore, serrare il controdado contro di esso. Spingere il tosaerba in avanti e tirarlo indietro per verificarne l'eventuale resistenza.

Avviare il motore per assicurarsi che il tosaerba non si muova in avanti senza spingere il comando Select Drive.



RIMOZIONE E MONTAGGIO DELLA LAMA(E)

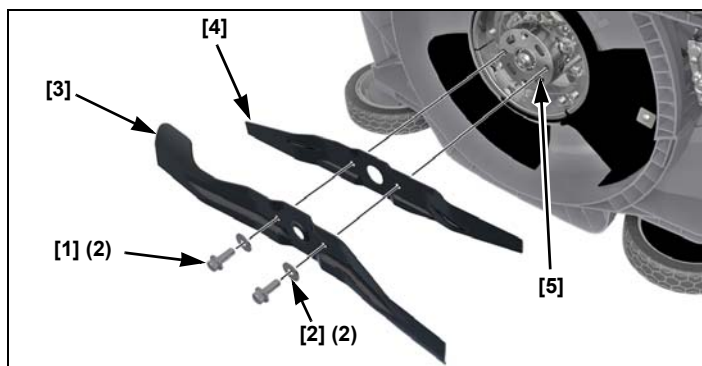
Se rimuovete la lamae per affilarla o sostituirla, avrete poi bisogno di una chiave tarata per il montaggio. Utilizzare dei guanti pesanti per proteggere le mani.

AFFILATURA DELLA LAMA: Per evitare di indebolire la lamae, o causare uno squilibrio o una cattiva tosatura, la lamae andrebbe affilata da personale addestrato presso un concessionario autorizzato Honda.

SOSTITUZIONE DELLA LAMA: Utilizzare lame di ricambio originali Honda o delle lame equivalenti.

Rimozione della lama

1. Porre la levetta del gas sulla posizione STOP.
2. Scollegare il cappuccio della candela. Inclinare il rasoerba sul lato destro in modo che il tappo di riempimento del carburante sia rivolto verso l'alto. Ciò impedisce fuoriuscite di carburante, infiltrazioni di olio motore nel filtro aria e difficoltà di avviamento.
3. Utilizzare una chiave a bussola da 14 mm e rimuovere i due bulloni della lama [1] e le rondelle speciali [2] dall'unità di comando della lama [5]. Usare un blocco in legno per impedire alla lama(e) di ruotare quando vengono rimossi i bulloni.
4. Rimuovere la lama superiore da sminuzzatura [4] e la lama inferiore da sminuzzatura [3].



Installazione della lama

1. Pulire lo sporco e l'erba dalla zona di montaggio della lama.
2. Montare la lama(e) [3] [4] utilizzando i due bulloni per lame [1] e le rondelle speciali [2] come illustrato.

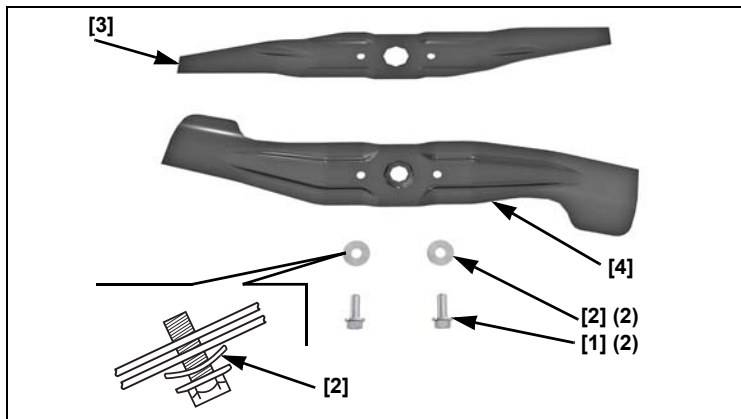
AVVERTENZA

L'utilizzo del tosaerba con una sola lama provoca l'errato posizionamento della lama, che potrebbe staccarsi con il rischio di lesioni gravi o morte.

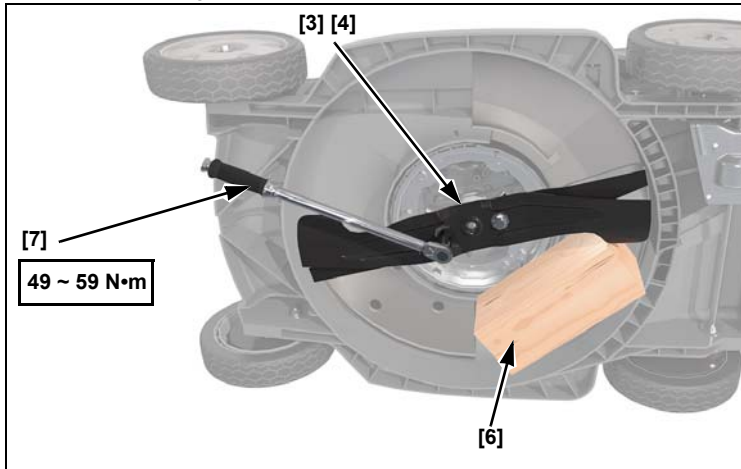
Utilizzare sempre entrambe le lame.

Assicuratevi di installare le rondelle speciali con il lato concavo verso la(e) lama(e) e il lato convesso verso la testa dei bulloni.

I bulloni delle lame sono progettati apposta per questo uso e non vanno sostituiti con altri bulloni.



3. Stringere i bulloni delle lame con una chiave tarata [7]. Utilizzare un blocco di legno [6] per impedire alla lama(e) di ruotare.



Forza di serraggio del bullone: 49 ~ 59 Nm

Se non avete una chiave tarata, fate stringere i bulloni della lama da un concessionario autorizzato Honda prima di usare il tosaerba. Se i bulloni della lama vengono stretti eccessivamente, potrebbero rompersi. Se i bulloni della lama non vengono stretti a sufficienza, potrebbero allentarsi od uscire. In entrambi i casi, sarebbe possibile che la lama(e) voli via mentre state adoperando il tosaerba.

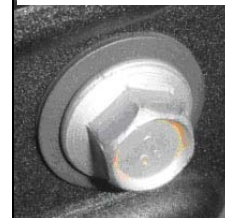
Ispezione del bullone di montaggio della lama

Ispezionare i bulloni della lama per rilevare eventuali segni di danneggiamento o allentamento. Se sono danneggiati, devono essere sostituiti.

Se appaiono allentati, è necessario utilizzare una chiave dinamometrica per serrare accuratamente i bulloni della lama alla coppia richiesta. Se non si dispone di una chiave dinamometrica, portare il rasaerba a un rivenditore autorizzato per far sostituire o serrare i bulloni.

Utilizzare solo bulloni e rondelle speciali Honda originali, poiché sono progettati appositamente per questo scopo. I codici ricambio sono a pagina 18.

Ispezionare rondelle e teste dei bulloni per allentamenti e danni.



PULIZIA E SOSTITUZIONE DEL SACCO RACCOGLI-ERBA

Pulizia del sacco raccogli-erba

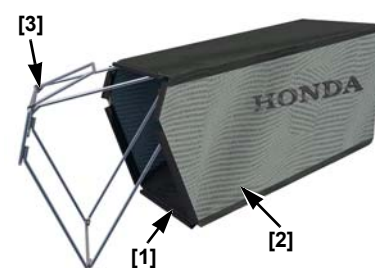
Lavare il sacco con un tubo per innaffiare e lasciar asciugare completamente prima di usare; un sacco bagnato si intasa rapidamente.

Sostituzione del sacco raccogli-erba

Sostituire un sacco usurato o danneggiato con un sacco di ricambio originale Honda od il suo equivalente.

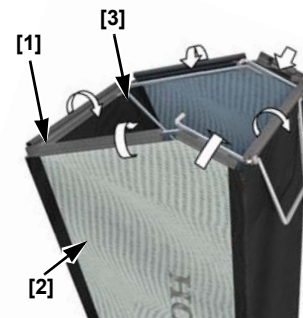
Rimozione del sacco

1. Sganciare i bordi in plastica [1] del sacco [2] dal telaio [3].
2. Rimuovere il sacco [2] dal telaio [3].



Montaggio del sacco

1. Inserire il telaio del sacco [3] nel sacco [2], come illustrato in figura.
2. Agganciare i bordi in plastica [1] del sacco [2] sul telaio.

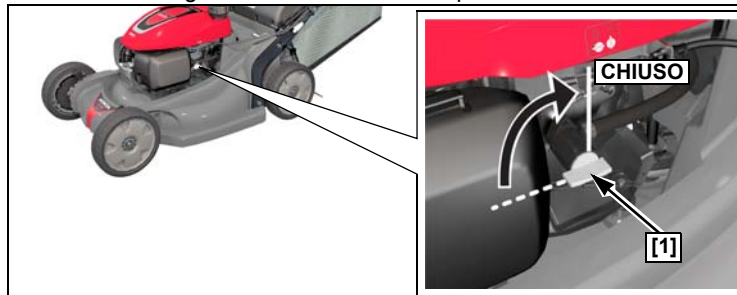


TRASPORTO

Prima di caricare

Se il motore è stato in funzione lasciare che si raffreddi per almeno 15 minuti prima di caricare il tosaerba sul veicolo di trasporto. Un motore ed un impianto di scappamento caldi vi possono ustionare e possono far bruciare alcuni materiali.

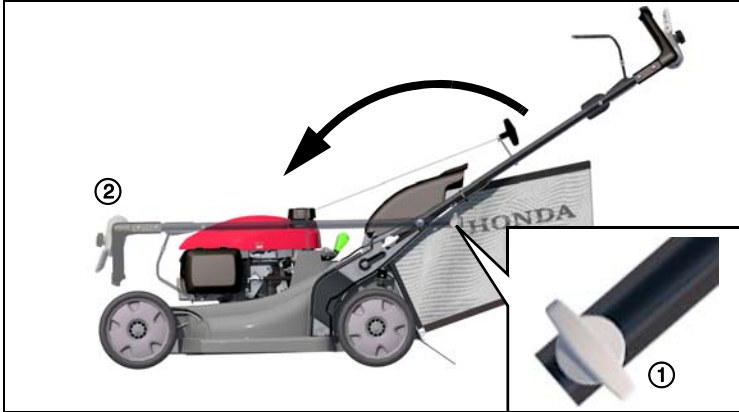
Porre la valvola del carburante sulla posizione CHIUSO per ridurre l'eventualità di ingolfare il carburatore e di perdite di carburante.



Ripiegatura della stegola

1. Togliere il sacco raccogli-erba, se installato. Potete posarlo sopra il motore, con l'apertura del sacco rivolta anteriormente.
2. Sbloccare le manopole di regolazione della stegola [1], quindi ripiegare la stegola [2] in avanti.
3. Assicurarsi che la leva di comando della lama cancelli il motore quando si piega il manubrio.

Nel ripiegare la stegola, fare attenzione di non attorcigliare o serrare i cavi di comando.



Carico e scarico

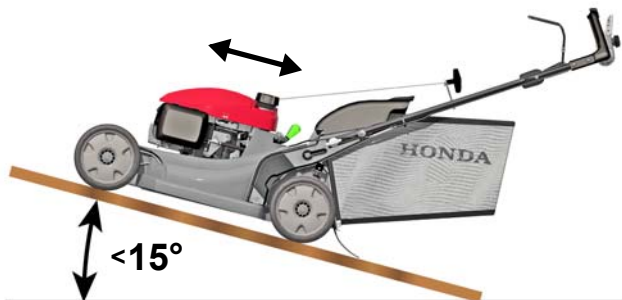
Posizionare il tosaerba in modo che tutte e quattro le ruote poggino sulla base del piano del veicolo di trasporto. Assicurare il tosaerba con delle funi o delle cinghie, e bloccare le ruote. Tenere le funi o le cinghie lontane dai comandi, dalle leve di regolazione, dai cavi e dal carburatore.

NOTA

Per non rischiare di perdere il controllo o di danneggiare il tosaerba, non usare l'impianto di propulsione autonoma per risalire o scendere da una rampa di carico. Pour éviter d'endommager le système de traction, n'enclenchez pas l'embrayage lorsque la tondeuse roule en marche arrière.

Per non rischiare di danneggiare l'impianto di propulsione autonoma, non inserire la frizione quando il tosaerba si sta muovendo all'indietro.

1. Porre la valvola del carburante sulla posizione CHIUSO.
2. Usare una rampa di caricamento adatta. Regolare la rampa di caricamento in modo che sia inclinata ad un angolo inferiore a 15°. Se non avete una rampa di caricamento, due persone possono sollevare il tosaerba su e giù dal veicolo di trasporto, tenendo il tosaerba a livello.



IMMAGAZZINAGGIO

Un buon immagazzinaggio è essenziale per mantenere il vostro tosaerba in buone condizioni e per conservarne il bell'aspetto. La seguente procedura aiuterà a proteggere il tosaerba dalla ruggine e dalla corrosione e renderà più facile l'avviamento del motore quando adopererete nuovamente il tosaerba.

Lavaggio

1. Lavare il tosaerba, compresa la parte sottostante del piatto tosaerba.

Motore

Lavare a mano il motore, e fare attenzione a non far entrare acqua nel depuratore dell'aria.

NOTA

L'uso di un tubo per innaffiare o di attrezzi per lavare che usino una certa pressione possono far entrare acqua nel depuratore dell'aria. Acqua nel depuratore inzupperà i filtri e può entrare nel carburatore o nel cilindro del motore, causando danni. Il contatto di acqua con un motore caldo può causare danni. Se il motore è stato in funzione, lasciare che si raffreddi per almeno mezz'ora prima di lavare.

Piatto tosaerba

Se usate un tubo per innaffiare o attrezzi per lavare che usino una certa pressione per pulire il piatto tosaerba, fare attenzione a non bagnare i comandi ed i cavi, o vicino al depuratore dell'aria del motore o all'apertura della marmitta.

Prima di lavare la parte inferiore del piatto tosaerba, assicurarsi che la levetta del gas sia in posizione di STOP e che la valvola del carburante sia sulla posizione CHIUSO. Inclinare il rasaerba sul lato destro in modo che il tappo di riempimento del carburante sia rivolto verso l'alto. Questa azione aiuterà a prevenire perdite di carburante e difficoltà di avviamento dovute all'ingolfarsi del carburatore. Indossare dei guanti resistenti per proteggere le mani dalla(e) lama(e).

Sacco raccogli-erba

Togliere il sacco dal tosaerba e lavarlo con un tubo per innaffiare o con attrezzi per lavare che usino una certa pressione. Permettere al sacco di asciugarsi completamente prima di immagazzinarlo.

2. Dopo aver lavato il tosaerba, asciugare strofinando tutte le superfici accessibili.
3. Rimettendo il tosaerba nella sua posizione normale, avviare il motore all'aperto, e lasciarlo avviato fino a che non raggiunga la sua normale temperatura operativa, per far evaporare eventuale acqua rimasta sul motore.
4. Arrestare il motore a lasciare che si raffreddi.
5. Dopo che il tosaerba è pulito ed asciutto, ritoccare eventuali scrostature della vernice e passare una leggera pellicola d'olio sulle parti maggiormente esposte alla ruggine.

Carburante

NOTA

In base all'area geografica in cui la macchina viene utilizzata, i tipi di carburanti utilizzati potrebbero essere soggetti a un più rapido deterioramento o ossidazione. Il deterioramento e l'ossidazione del carburante si possono verificare anche in soli 30 giorni, causando il danneggiamento del carburatore e/o dell'impianto di alimentazione. Si raccomanda di chiedere il supporto del servizio assistenza locale per ottenere informazioni sulle corrette modalità di conservazione della macchina.

Il carburante si ossida e si deteriora quando viene lasciato immagazzinato. La benzina deteriorata causa difficoltà di avviamento e lascia dei residui gommosi che intasano l'impianto di alimentazione. Se la benzina nel vostro tosaerba si deteriora durante l'immagazzinaggio potreste dover far sostituire o riparare il carburatore o altri componenti dell'impianto di alimentazione.

Il periodo di tempo che la benzina può venir lasciata nel serbatoio del carburante e nel carburatore senza causare problemi di funzionamento dipenderà da fattori quali la composizione della benzina, la temperatura di immagazzinaggio, e se il serbatoio del carburante sia riempito in tutto o in parte. L'aria in un serbatoio del carburante parzialmente vuoto promuove il deterioramento del carburante. Temperature di immagazzinaggio molto elevate accelerano il deterioramento del carburante. I problemi legati al deterioramento del carburante possono avvenire entro alcuni mesi, o anche meno, se la benzina non era di produzione recente quando avete riempito il serbatoio.

Se si mantiene un contenitore di benzina per il rifornimento, accertarsi che contenga soltanto benzina fresca.

Se ci vogliono più di 3 mesi a usare il carburante nel contenitore d'immagazzinamento, è consigliabile aggiungere uno stabilizzatore di carburante al carburante stesso quando si riempie il contenitore.

Immagazzinamento a breve termine (30-90 giorni)

Se il rasaerba non verrà utilizzato per 30 - 90 giorni, si consiglia quanto segue per prevenire problemi legati al carburante:

1. Aggiungere uno stabilizzatore per benzina seguendo le istruzioni del costruttore.

Per aggiungere uno stabilizzatore per carburante, riempire il serbatoio del carburante con benzina di produzione recente. Se il serbatoio è riempito solo in parte, l'aria nel serbatoio promuoverà il deterioramento del carburante durante l'immagazzinaggio.

Nota:

- Tutti gli stabilizzatori hanno una scadenza e le loro prestazioni si deteriorano nel tempo.
 - Gli stabilizzatori non sono in grado di ricostituire il carburante deteriorato.
2. Dopo aver aggiunto uno stabilizzatore, far funzionare il motore per 10 minuti all'esterno, per assicurarsi che la benzina additivata abbia sostituito quella non trattata nel circuito del carburante.
 3. Ruotare la valvola del carburante in posizione CHIUSO.
 4. Continuare a far funzionare il motore fino al suo spegnimento per mancanza di carburante nella vasca del carburatore. Il tempo di funzionamento dovrebbe essere inferiore ai 3 minuti.

Immagazzinamento a lungo termine o stagionale (oltre 90 giorni)

Avviare il motore e lasciarlo in funzione il tempo sufficiente a consumare il carburante presente nell'impianto (incluso quello nel serbatoio del carburante). Non lasciare che la benzina rimanga nel motore per oltre 90 giorni di inattività.

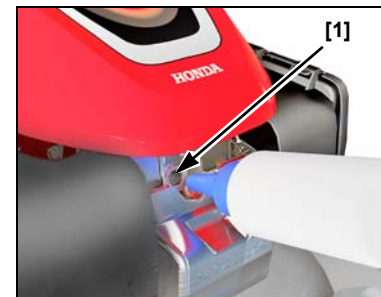
La garanzia non copre i danni al sistema di alimentazione o i problemi di prestazioni del motore derivanti dal non aver seguito la procedura di preparazione all'immagazzinaggio.

Olio del motore

Cambio dell'olio del motore (pagina 13).

Cilindro del motore

Se il tosaerba verrà immagazzinato per oltre 3 mesi, togliere la candela (pagina 13). Versare 5 ~10 cc di olio pulito per motore nel cilindro [1]. Tirare lentamente il cavo dell'avviatore diverse volte per distribuire l'olio nel cilindro. Rimontare la candela.



Tirare lentamente il cavo dell'avviatore fino a quando non si avverte una resistenza e quindi riaccompagnare l'impugnatura dell'avviatore con delicatezza. Questo chiuderà le valvole in modo che l'umidità non possa entrare nel cilindro del motore.

Immagazzinaggio

Se il tosaerba verrà immagazzinato con della benzina nel serbatoio del carburante e nel carburatore, è importante ridurre il rischio di accensione dei vapori della benzina. Scegliere una zona di immagazzinaggio ben ventilata lontana da qualsiasi apparecchiatura che funzioni con una fiamma, quali un forno, uno scaldabagno, o un'asciugatrice di vestiti. Inoltre evitare qualsiasi zona che contenga un motore elettrico che possa provocare scintille, o luoghi dove vengano utilizzati strumenti elettrici.

Se possibile, evitare l'immagazzinaggio in zone con elevata umidità in quando questa promuove ruggine e corrosione.

Posare il tosaerba sulle proprie ruote su di una superficie piana ed a livello. Se inclinato può perdere carburante od olio.

La stegola può venir piegata per un immagazzinaggio più compatto (pagina 16).

Una volta che il motore e l'impianto di scappamento si sono raffreddati, coprire il tosaerba per tenere via la polvere. Un motore od un impianto di scappamento caldi possono bruciare o fondere alcuni materiali. Non utilizzare un telone di plastica per tenere via la polvere. Una copertura non porosa tratterrà l'umidità intorno al tosaerba, promuovendo ruggine e corrosione.

Rimozione Dall'Immagazzinaggio

Controllate il vostro tosaerba come descritto nel capitolo **CONTROLLI PRIMA DELL'USO** di questo manuale (pagina 6).

Se il cilindro era stato coperto di una pellicola di olio durante i preparativi per l'immagazzinaggio, il motore fumerà inizialmente durante l'avviamento. Questo è normale.

LOCALIZZAZIONE DEI GUASTI

IL MOTORE NON SI AVVIA

Possibile causa	Rimedio
Valvola del carburante su CHIUSO	Aprire la valvola del carburante (pagina 5).
Levetta del gas nella posizione sbagliata	Porre la levetta del gas su veloce (pagina 5).
Mancanza di carburante	Rifornire di carburante (pagina 7).
Carburante deteriorato; tosaerba immagazzinato senza aver trattato la benzina, oppure fatto rifornimento con benzina deteriorata	Fare rifornimento con benzina produzione recente (pagina 7).
Candela difettosa, sporca o con una spaziatura errata	Pulire, correggere la spaziatura o sostituire la candela (pagina 13).
Candela bagnata di carburante (motore ingolfato)	Asciugare e rimontare candela. Avviare il motore con la levetta del gas nella posizione veloce.
Filtro del carburante intasato, guasto al carburatore, guasto alla candele di accensione, valvola intasata ecc.	Portare il tosaerba da un concessionario Honda o consultare un manuale di officina.

PERDITA DI POTENZA

Possibile causa	Rimedio
Levetta del gas non sulla posizione veloce	Porre la levetta del gas su veloce (pagina 5).
Erba troppo alta da tagliare	Alzare l'altezza di tosatura (pagina 8), tosare una fascia più stretta, o più frequentemente. Regolare la manopola di direzione dello scarico.
Piatto tosaerba intasato	Pulire il piatto tosaerba (pagina 11).
Filtro dell'aria intasato	Pulire o sostituire il filtro dell'aria (pagina 13).
Carburante deteriorato; tosaerba immagazzinato senza aver trattato la benzina, oppure fatto rifornimento con benzina deteriorata	Fare rifornimento con benzina di produzione recente (pagina 7).
Filtro del carburante intasato, guasto al carburatore, guasto alla candele di accensione, valvola intasata ecc.	Portare il tosaerba da un concessionario Honda, o consultare il manuale di officina.

VIBRAZIONI

Possibile causa	Rimedio
Presenza di erba e detriti attaccati sotto il piatto tosaerba	Pulire il piatto tosaerba (pagina 11).
Lama(e) allentate, piegate, danneggiate o sbilanciate a causa di una cattiva affilatura	Stringere i bulloni della lama allentati. Sostituire lama(e) danneggiati (pagina 15).
Danni meccanici, quali un albero motore piegato	Portare il tosaerba da un concessionario Honda o consultare un manuale di officina.

SCARSA QUALITÀ DI TOSATURA O DI INSACCATURA

Possibile causa	Rimedio
La velocità del motore è troppo lenta per tosare bene	Porre la levetta del gas su veloce (pagina 5).
Il tosaerba si muove troppo rapidamente per le condizioni del prato	Cambiare alla velocità inferiore (pagina 5).
Le levette di regolazione sono in posizioni diverse tra loro	Porre tutte le levette alla stessa altezza di tosatura (pagina 8).
Il sacco raccogli-erba è troppo pieno od è intasato	Svuotare il sacco raccogli-erba. Lavare il sacco raccogli-erba se intasato con sporco (pagina 15).
Il piatto tosaerba è intasato	Pulire il piatto tosaerba (pagina 11).
Lama(e) poco affilata, usurata o danneggiata	Affilare o sostituire la lama(e) (pagina 14).
È stata montata una lama sbagliata	Montare la lama(e) corretta (pagina 14).

PARTI

Articolo	Numero Parte
Filtro dell'aria	17211-Z8B-901
Candela	98079-55846
Lama	72531-VH7-000 (superiore) 72511-VH7-000 (inferiore)
Bullone della lama (2)	90105-960-710
Rondella speciali (2)	90502-VG3-000

CARATTERISTICHE TECNICHE

MODELLO	HRX537C5
TIPO	VYE
CODICE DESCRITTIVO	MAMA

CARATTERISTICHE GENERALI

Lunghezza	1610 mm
Altezza stegola	1073 mm
Massa (ISO5395)	43,5 kg
Larghezza	588 mm
Larghezza di taglio	530 mm
Regolazioni dell'altezza di taglio	19 mm, 32 mm, 46 mm, 62 mm, 75 mm, 88 mm, 101 mm
Capacità del sacco raccogli-erba	85 L
Livello di potenza acustica sul posto di guida (secondo EN ISO 5395-1:2013)	85 dB(A)
Incertezza	1 dB(A)
Livello di potenza acustica misurato (secondo direttiva 2000/14/EC)	96 dB(A)
Incertezza	1 dB(A)
Livello di potenza acustica garantita (secondo direttiva 2000/14/EC)	98 dB(A)
Vibrazioni trasmesse (secondo EN ISO 5395-1:2013)	5.4 m/s ²
Incertezza	2.1 m/s ²

MOTORE

Modello	GCV200
Tipo	4 tempi, monocilindrico, albero verticale
Cilindrata	201 cc
Alésaggio e corsa	66 x 59 mm
Raffreddamento	Aria forzata
Lubrificazione	Spruzzo
Rapporto di compressione	8,0:1
Velocità massima	2.850 ⁺⁰ ₋₁₀₀ min ⁻¹
Velocità del minimo	1.700 ± 150 min ⁻¹
Impianto di avviamento	Magnete transistorizzato
Candela	NGK: BPR5ES
Spaziatura candela	0,7 ~ 0,8 mm
Depuratore dell'aria	Tipo a secco
Carburante consigliato	91 ottani o superiore (meglio senza piombo)
Capacità del serbatoio del carburante	0,91 L
Olio consigliato	SAE 10W-30, API SJ o equivalente
Capacità olio del motore	0,40 L *Quantità di riempimento: 0,35 ~ 0,40 L

* La quantità effettiva varia a seconda dell'olio residuo presente nel motore. Utilizzare sempre l'astina per verificare l'effettivo livello dell'olio (pagina 4).

TRASMISSIONE

Tipo	Idrostatica
Motore a trasmissione	Cinghia a V
Frizione principale	Tipo fluido
Velocità di marcia	0 ~ 1.64 m/s
Fluido consigliato	10W-30

INLEIDING

Dank u voor de aanschaf van deze Honda gazonmaaier.

Deze handleiding beschrijft het gebruik en het onderhoud van de Honda gazonmaaier, type HRX537VYE.

Wij willen u helpen uw nieuwe maaier veilig te bedienen met het beste resultaat. Deze handleiding bevat alle hiervoor noodzakelijke informatie; lees deze daarom zorgvuldig door.

Deze handleiding is een integraal onderdeel van de gazonmaaier en moet worden bijgeleverd als u de maaier verkoopt.

Neem contact op met uw leverancier indien u problemen of vragen hebt met betrekking tot de maaier.

Wij raden u aan de garantiebepalingen te lezen, zodat u volledig op de hoogte bent van uw rechten en plichten. De garantiebepalingen worden door uw leverancier afzonderlijk bijgeleverd.

Honda Power Equipment Mfg., Inc. behoudt zich het recht voor om zonder aankondiging vooraf en zonder verdere verplichtingen produktspecificaties te wijzigen.

Niets uit deze publicatie mag, op welke wijze ook, vermenigvuldigd worden zonder voorafgaande schriftelijke toestemming.

WAARSCHUWINGEN BETREFFENDE DE VEILIGHEID

Let vooral op waarschuwingen die als volgt zijn aangegeven:

⚠ GEVAAR

U WORDT GEDOOG of LOOPT ERNSTIG LETSEL OP als u de voorschriften niet opvolgt.

⚠ WAARSCHUWING

Als u deze instructie niet opvolgt kan dat ERNSTIG LETSEL of LEVENSGEVAAR opleveren.

⚠ LET OP

Als u deze instructie niet opvolgt kunt u GEWOND raken.

Elke waarschuwing vermeldt het risico, wat er kan gebeuren en wat u kunt doen om de kans op letsel te voorkomen of te beperken.

OPMERKINGEN

Andere belangrijke opmerkingen om schade te voorkomen worden als volgt aangeduid:

OPMERKING

Als u deze instructie niet opvolgt kan schade ontstaan aan de gazonmaaier of andere voorwerpen.

Deze instructies dienen om schade aan de gazonmaaier, ander voorwerpen of het milieu te helpen voorkomen.

HONDA

INSTRUKTIEHANDLEIDING (oorspronkelijke gebruiksaanwijzing) HRX537VYE GAZONMAAIER



INHOUD

INLEIDING	1	ONDERHOUD	12
WAARSCHUWINGEN BETREFFENDE DE VEILIGHEID	1	Het Belang van Onderhoud	12
VEILIGHEIDSVOR- SCHRIFTEN	2	Onderhoudsschema	12
Waarschuwingsticker	3	Motoronderhoud	12
Produkt-Identifikatie-Plaatje	3	Afstellingen bedieningskabel	14
OVERZICHT VAN ONDERDELEN	3	Mes Monteren En Demonteren	14
IN ELKAAR ZETTEN	4	Grasvangzak Reinigen En Vervangen	15
BEDIENING	5	TRANSPORT	15
VOORDAT U GAAT MAAIEN	6	BERGING	16
Oliepeil	6	STORINGZOEKEN	18
Benzine	7	SPECIFICATES	19
DE MAAIER GEBRUIKEN	9		
Voorzorgsmaatregelen	9	Honda Garantie Voorwaarden, EG-Verklaring van Overeenstemming, Honda De Adressen Van De Verdeler	Definitieve Pagina
De Motor Starten	9		
De Motor Afzetten	10		
Tips Voor Veilig Maaien	10		
Maaitips	11		

VEILIGHEIDSVoORSCHRIFTEN

⚠ WAARSCHUWING

Voor een veilige bediening –



- Honda gazonmaaiers zijn ontworpen voor veilige en betrouwbare bediening indien gebruikt volgens deze voorschriften. Lees deze Gebruiksaanwijzing voordat u de maaier gaat gebruiken. Als u dat niet doet, kunt u zichzelf verwonden of de machine beschadigen.

- Lees deze instructies zorgvuldig door en maak u vertrouwd met de bediening en het juiste gebruik van de machine.
- Laat de gazonmaaier nooit bedienen door kinderen of personen die niet op de hoogte zijn van deze voorschriften.
- Gebruik de gazonmaaier nooit als er mensen in de buurt zijn, en zeker niet met kinderen of huisdieren in de buurt.
- Onthoud dat wie de machine gebruikt wettelijk aansprakelijk is in geval van verwondingen met betrekking tot andere mensen of hun eigendom.
- Draag bij het maaien altijd stevig schoeisel en een lange broek. Gebruik de machine niet zonder schoenen of op sandalen.
- Verwijder voordat u gaat maaien alle voorwerpen van het gazon die door de machine kunnen worden weggeslingerd.
- Benzine is uiterst brandbaar:
 - Bewaar benzine altijd in een daarvoor bestemde jerrycan.
 - Vul de tank altijd buiten bij en rook niet als u de tank vult.
 - Vul de tank voordat u de motor start. Verwijder nooit de dop van de tank en vul nooit benzine bij terwijl de motor draait of nog heet is.
 - Als u tijdens het vullen benzine morst, verplaats de machine dan met de hand naar een veilige plaats en wacht met starten tot alle benzine verdampt is.
 - Sluit de tankdop zorgvuldig.
- Vervang de uitlaat als die defect is.
- Controleer voordat u begint met maaien of het mes(stel), de mesbout(en) en de behuizing niet versleten of beschadigd zijn. Vervang mes(stel) en mesbout(en) altijd in paren om het maaiwerk in evenwicht te houden.
- Gebruik de machine niet in een gesloten ruimte waar zich koolmonoxide kan ophopen.
- Maai alleen bij daglicht of bij voldoende kunstlicht.
- Maai het gazon bij voorkeur niet als het gras nat is.
- Let op bij het maaien van hellingen:
 - Kijk altijd uit waar u loopt.
 - Maai altijd dwars op een helling en nooit van boven naar beneden of vice versa.
 - Maai voorzichtig; loop langzaam.
 - Wees uiterst voorzichtig als u op een helling van richting verandert.
 - Gebruik de gazonmaaier niet op steile hellingen.
- Wees uiterst voorzichtig als u de machine naar zich toe trekt.
- Ontkoppel het mes(stel) als u de machine moet kantelen voor transport, wanneer u over ander terrein gaat dan het gazon of wanneer u de machine verplaatst van of naar het te maaien terrein.
- Gebruik de gazonmaaier nooit als onderdelen beschadigd zijn of als veiligheidsvoorzieningen (zoals deflectors en/of grasvangbak) ontbreken.
- Probeer niet de maaihoogte te veranderen terwijl de motor draait.
- Verstel niet zelf de toerenregelaar en voer de motor niet op.
- Ontkoppel het mes(stel) en de aandrijving voordat u de motor start.
- Volg nauwgezet de instructies voor het starten van de motor en zorg dat uw voeten op voldoende afstand van het mes(stel) staan.
- Kantel de maaier niet tijdens het starten.

- Houd handen en voeten weg van roterende onderdelen. Ga nooit voor de afvoeropening staan.
- Probeer een gazonmaaier nooit op te tillen of te dragen als de motor draait.
- Zet de motor af en ontkoppel de bougiekabel:
 - Voordat u verstoppingen in de gazonmaaier verwijdert.
 - Voordat u de gazonmaaier inspecteert, reinigt of er overige werkzaamheden aan verricht.
 - Wanneer de maaier een vreemd voorwerp heeft geraakt. Controleer of de gazonmaaier is beschadigd en vervang beschadigde onderdelen voordat u de maaier opnieuw start en verder gaat met maaien.
 - Als de gazonmaaier hevig begint te trillen. Controleer de maaier direct.
- Zet de motor af:
 - Als u bij de gazonmaaier wegloopt.
 - Voordat u de tank bijvult.
 - Voordat u de grasvangzak, de zijdelingse afvoertrechter of de molmplug verwijdert.
- Zet de gashendel in de laagste stand voordat u de motor afzet en draai de benzinekraan dicht wanneer u klaar bent met maaien.
- Draai alle moeren, bouten en schroeven regelmatig aan om de machine steeds veilig te kunnen gebruiken.
- Stal de machine nooit met gevulde tank in afgesloten ruimte waar benzinedamp een vlam of vonk kan bereiken.
- Laat de machine afkoelen voordat u hem binnen zet.
- Voorkom brandgevaar door de motor, de uitlaat, de batterijbak (indien van toepassing) en de benzine-opslagplaats vrij te houden van gras, bladeren of overtollig vet.
- Controleer de grasvangzak regelmatig op slijtage of beschadiging.
- Vervang versleten of beschadigde onderdelen voor uw eigen veiligheid.
- Als de benzinetank moet worden afgetapt, doe dit dan altijd buiten.
- Draag oogbescherming.
- Gebruik de machine nooit in het geval van vermoeidheid of ziekte van de gebruiker, of na consumptie van medicijnen, drugs, alcohol of gevaarlijke stoffen die invloed kunnen hebben op zijn/haar vermogen met betrekking tot reflexen en concentratie.
- Bij het gebruik van de machine altijd veiligheidsschoenen dragen die sterk en slipvast zijn en een lange broek. Gebruik de machine niet met blote voeten of open schoenen. Vermijd het dragen van kettingen, armbanden of loszittende kleding met losse onderdelen of veters of stropdassen. Lang haar moet naar achteren worden vastgemaakt. Draag altijd een anti-geluidshelm.
- Vergeet niet dat de operator of gebruiker verantwoordelijk is voor enige ongevallen of onverwachte gebeurtenissen die mogelijk kunnen optreden bij andere personen of aan hun eigendommen. Het is de verantwoordelijkheid van de gebruiker om te controleren op mogelijke risico's vanwege de grond waarop wordt gewerkt en om alle noodzakelijke voorzorgsmaatregelen te nemen om te zorgen voor zijn/haar eigen veiligheid en die van anderen, in het bijzonder op een hellende ondergrond, op ruw, glad of onstabiel terrein of nabij gaten, greppels of oevers.
- **MERK OP** – De geluids- en trillingsniveaus die in dit informatieblad worden aangeduid, zijn de maximale waarden voor het gebruik van de machine. Het gebruik van een niet-gebalanceerde snijder, een te hoge bewegingssnelheid en een gebrek aan onderhoud hebben aanzienlijke gevolgen voor geluidsemissies en trillingen. Het is daarom noodzakelijk om preventieve voorzorgsmaatregelen te nemen voor het elimineren van alle mogelijke schade vanwege te hoge geluidsniveaus en spanningen vanwege trillingen. Zorg dat de machine goed wordt onderhouden, draag een anti-geluidshelm. Neem tijdens het werk pauzes.

Verwijdering

Om het milieu te beschermen, gooi dit product, de batterij, motorolie, enz. niet achteloos weg met het afval. Houd rekening met de plaatselijke wetten en reglementeringen, of raadpleeg uw bevoegde Honda dealer voor verwijdering.

WAARSCHUWINGSSTICKER

Deze sticker waarschuwt u voor mogelijke risico's op ernstig letsel. Lees de sticker aandachtig. Als de sticker loskomt of onleesbaar wordt, dient u contact op te nemen met uw dealer en hem een nieuwe te vragen.

Brief	Afbeelding
A	<p>1. Lees de gebruikershandleiding voor u deze maaier gebruikt. 2. Gevaar voor wegschietende voorwerpen. Houd overige personen uit de buurt tijdens het gebruik van deze maaier. 3. Gevaar voor snijwonden. Sneldraaiend mes. Steek uw hand of voet niet in de maaikast. Neem de bougiekap van de bougie voor u onderhoud of reparaties aan de machine uitvoert. 4. Niet gebruiken uitwerpkoker je of grasopvangbak.</p>
B	<p>5. Lees de gebruikershandleiding voor u deze maaier gebruikt. 6. De uitlaatgassen van de motor bevatten giftig koolmonoxidegas. Laat de motor niet draaien in een omsloten ruimte. 7. Benzine is uiterst brandbaar en explosief. Zet de motor uit en laat deze afkoelen voordat u brandstof bijvult.</p>

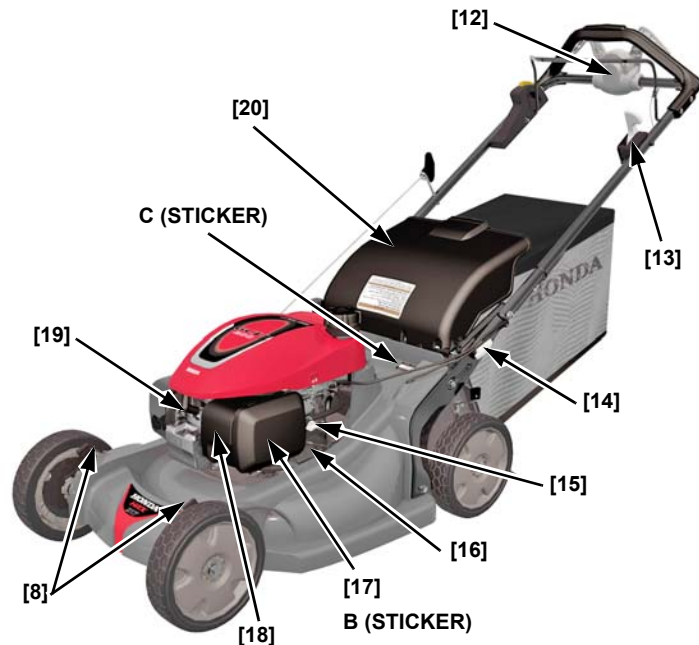
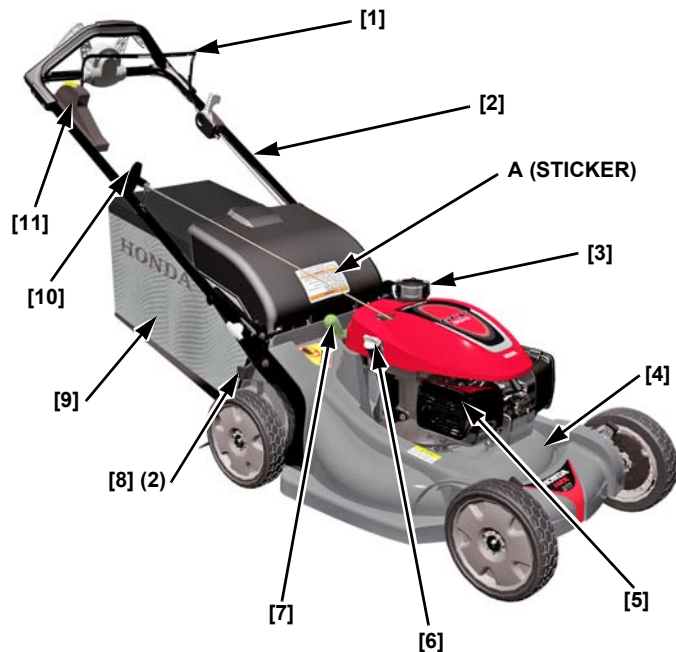
PRODUKT-IDENTIFIKATIE-PLAATJE

Brief	Afbeelding
C	
	<p>1. Gewaardborgd geluidsvermogensniveau volgens EEC Richtlijn 2000/14/EC 2. Overeenstemmingsmarkering volgens gewijzigde EEC 3. Conformity mark optional 4. Nominaal vermogen in kilowatts/Velocità del motore consigliata in giri al minuto 5. Maximaal motorsnelheid</p> <p>6. Maand en bouwjaar 7. Gewicht in kilogram 8. Serienummer 9. Model 10. Naam en adres van toegelaten vertegenwoordiger 11. Naam en adres van fabrikant</p>
<p>Naam en het adres van de fabrikant en de toegelaten vertegenwoordiger zijn geschreven in de "EG Declaraton of Conformity" CONTENT OVERZICHT in deze handleiding.</p>	

Noteer de serienummers van het chassis en de motor hieronder. U zal deze serienummers nodig hebben bij het bestellen van onderdelen en wanneer u inlichtingen wenst betreffende technische gegevens of garantie.

Serienummerchassis: _____ - _____
 Serienummernmotor: _____ - _____
 Aanschafdatum: _____ / _____ / _____

OVERZICHT VAN ONDERDELEN



1	Vliegwielremhende ()
2	Vliegwielremhendel
3	Dop benzinetank
4	Achterwaartse Uitworp Guard
5	Uitlaat
6	Olievuldop
7	Serienr. motorMaaiselrichterknop
8	Maaihoogtehendels (4)
9	Grasvangzak
10	Startkoord

11	Roto-Stop knop
12	Schakelhendel
13	Gashendel
14	Stuurboombout
15	Brandstofkraan
16	Serienr. motor
17	Luchtfilter
18	Carburateur
19	Bougiekap
20	Afvoerbeschermkap

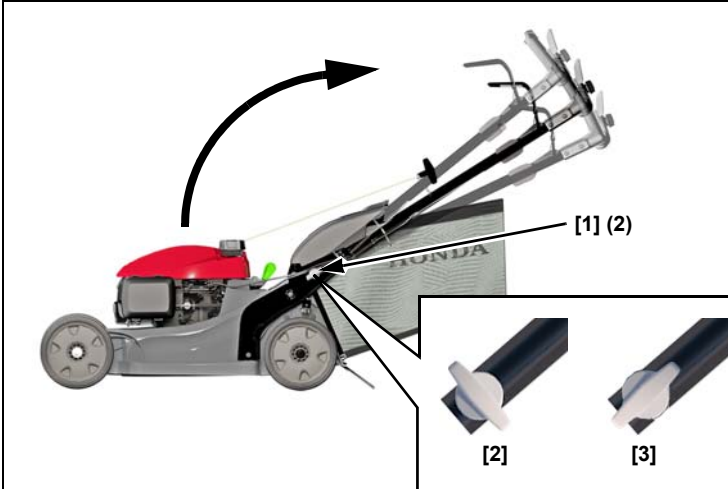
IN ELKAAR ZETTEN

UITPAKKEN

Verwijder alle karton van de handgreep.

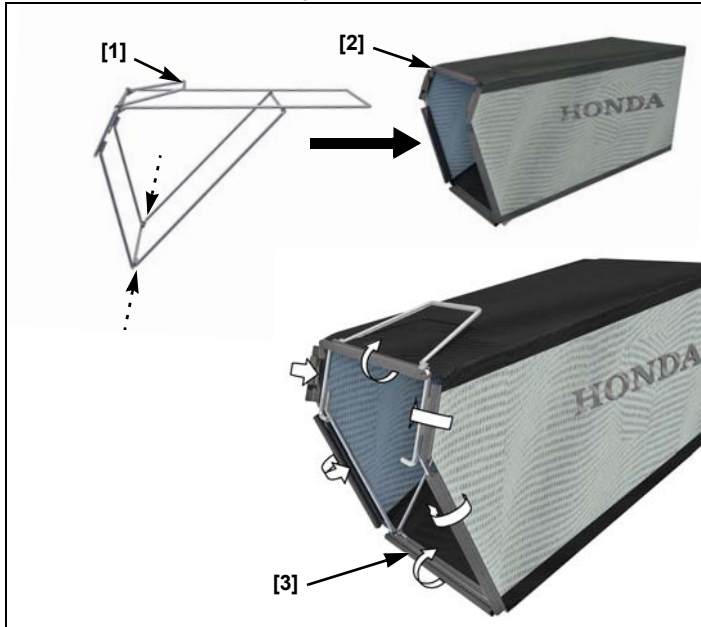
MONTEREN VAN DE HANDGREPEN

1. Draai de afstelknoppen van de handgreep [1] 90 graden naar ontgrendelde stand [2].
2. Beweeg de handgreep naar de maaistand zodat de fixeerpennen uitlijnen met ofwel de hoogste, of de middelste, of de laagste gaatjes in montagebeugels van de handgreep.
3. Draai de afstelknoppen 90 graden naar de vergrendelstand [3] toe en de pennen zullen op hun plaats vastklikken in de gaten.

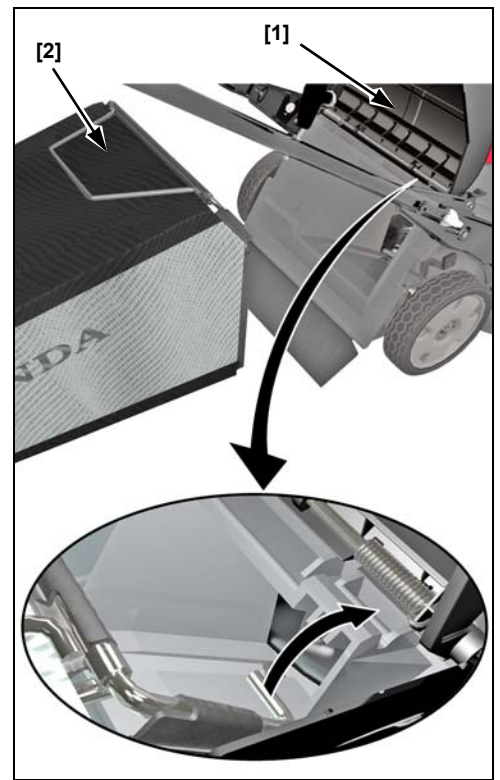


GRASOPVANGENHEID

Schuif het frame [1] van de graszak in de graszak [2] en monteer de plastic klemmen [3] zoals afgebeeld.



Til de afvoerbeschermkap omhoog [1] en monteer de graszak [2].



MOTOROLIE

De maaimachine wordt **ZONDER OLIE** in de motor verscheept.

Vul dan genoeg SAE 10W-30 API olie van onderhoudscategorie SJ om het oliepeil tot tussen de bovengrens [2] en de ondergrensmarkeringen [3] op de peilstok [1] te brengen, zoals wordt afgebeeld.

Hoeveelheid bij te vullen:
0,35 ~ 0,40 L

Doe niet te veel olie in de motor. Als de motor te vol is, kan overtollige olie worden overgebracht naar de luchtfilterbehuizing en het luchtfilter.

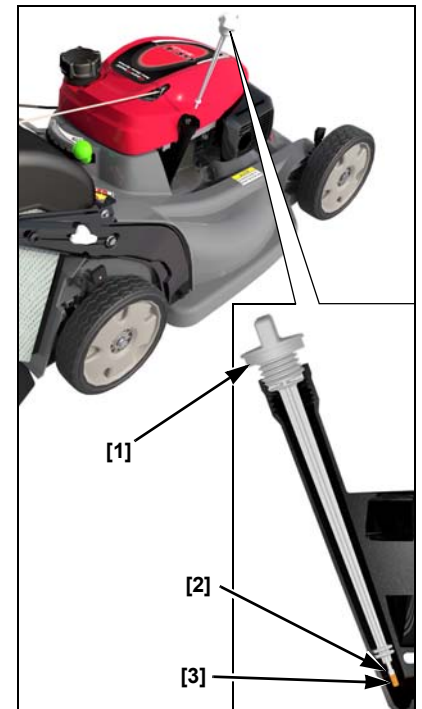
BENZINE

Raadpleeg bladzijde 7.

VÓÓR HET IN BEDRIJF NEMEN

Alle operators van de maaimachine moeten vóór gebruik van de maaimachine de volgende hoofdstukken lezen:

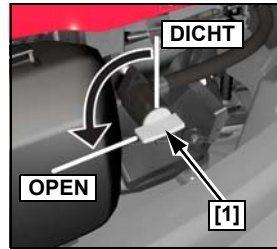
- **VEILIGHEIDSINSTRUCTIES** (bladzijde 2)
- **BEDIENIN** (bladzijde 5)
- **CONTROLES VÓÓR HET IN BEDRIJF NEMEN** (bladzijde 6)
- **GBRUIK** (bladzijde 9)
- **ONDERHOUDSSHEMA** (bladzijde 12)



BEDIENING

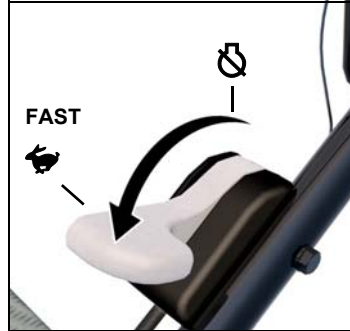
BRANDSTOFKRAAN

Met de brandstofkraan [1] wordt de verbinding tussen de brandstoftank en de carburateur geopend en gesloten.



GASHENDEL

Voor de beste snijkwaliteit, maai altijd met de gashendel in de stand FAST. Wanneer het snijmiddel roteert aan de vooringestelde hoge snelheid, wordt een sterke ventilering gecreëerd die optilt en efficiënter doet maaien.

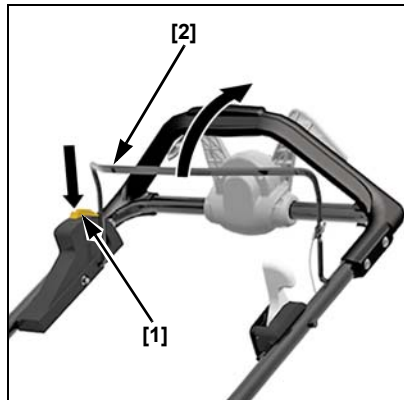


Probeer niet om het vooringestelde FAST motortoerental te verhogen; het snijmiddel kunnen breken en los komen.

CONTROLESYSTEEM VAN HET SNIJMIDDEL

Om de rotatie van het snijmiddel te starten, zorg ervoor dat de motor draait en de gashendel in de stand FAST staat.

1. Houd de knop Roto-Stop ingedrukt [1].
2. Trek de bedieningshendel van het snijmiddel [2] snel tegen de stuurstang waardoor de motor het snijmiddel op volle snelheid kan brengen en laat de knop Roto-Stop vervolgens los.



Houd de bedieningshendel van het snijmiddel tegen de stuurstang om de rotatie van het snijmiddel te behouden. Houd de bedieningshendel van het snijmiddel altijd volledig ingeschakeld tijdens het maaien. Laat nooit gedeeltelijk los - dit zal de levensduur van de koppeling verminderen.

Laat de bedieningshendel van het snijmiddel los om de rotatie van het snijmiddel te stoppen. Laat de bedieningshendel van het snijmiddel altijd los vooraleer de motor te starten om te voorkomen dat de snijmiddel roteert.

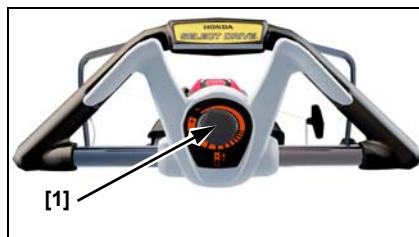
BEDIENING SELECT-DRIVE

Terwijl de motor draait en het snijmiddel roteert, duwt u de bediening Select Drive [1] in om de maaier vooruit te bewegen.

Normale bediening is met uw hand comfortabel rond de stuurstang en de bediening Select Drive. Duw de bediening Select Drive met uw duim in de inkeping voor versterkte werking (op een heuvel, of door dik gras).

U kunt de rijnsnelheid verminderen door de bediening Select Drive gedeeltelijk los te laten.

Rijnsnelheid varieert naargelang het terrein, de grashoogte, helling en het gewicht van de graszak. Door de knop Select Drive te bewegen of



het variëren in het vooruit duwen van de bediening Select Drive, kunt u de gewenste rijnsnelheid handhaven onder voortdurend veranderende maaionstandigheden.

Laat de bediening Select Drive los om de achterwielen te ontkoppelen (te stoppen).

Ontkoppel de aandrijving tijdens het maaien rond bomen en andere obstakels. Duw de maaier rond obstakels voor een betere directionele controle.

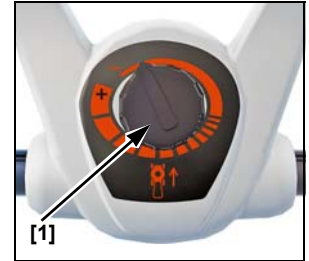
De bedieningsknop Select Drive afstellen

Met de bedieningsknop Select Drive [1] kunt u de maximale rijnsnelheid afstellen wanneer de hendel Select Drive volledig is ingeschakeld.

Afstelling gaat van MIN tot MAX. Met de hendel Select Drive volledig ingeschakeld:

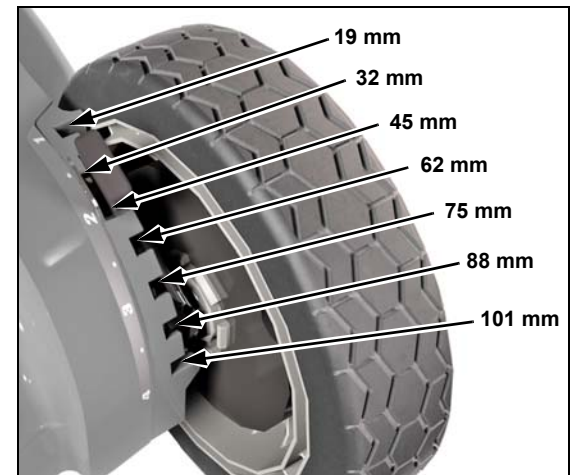
MIN zal de grasmaaier voortbewegen aan de laagste snelheid.

MAX zal de grasmaaier voortbewegen aan de hoogste snelheid.

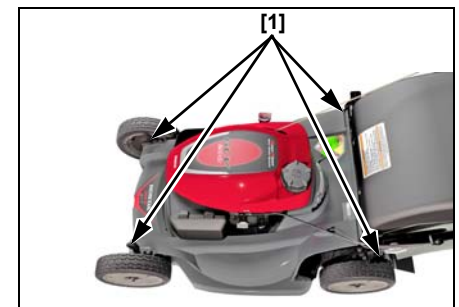


MAAIHOOGTEHENDELS

De maaierhoogte kan op zes niveaus worden ingesteld. Deze zijn hiernaast bij benadering aangegeven. De feitelijke maaierhoogte is afhankelijk van de conditie van het gazon en de bodemgesteldheid.



Elk wiel heeft een eigen maaierhoogtehendel [1].



MAAISELRICHTERKNOP

De maaierelrichterknop [1] regelt het opvangen in zak, mulchen, en afvoer aan de achterkant. De knop heeft tien instelmogelijkheden.



VOORDAT U GAAT MAAIEN

BENT U KLAAR OM TE MAAIEN?

Draag beschermende kleding. Een lange broek en oogbescherming kunnen het risico op letsels veroorzaakt door weggeslingerde voorwerpen, verminderen. Draag schoeisel dat uw voeten beschermt en dat een stevige grip biedt op hellingen of oneffen terrein.

HET GAZON INSPECTEREN

Inspecteer voor uw eigen veiligheid en die van anderen altijd eerst het te maaien oppervlak.

Voorwerpen

Alles dat door een mes kan worden weggeslingerd is een mogelijk gevaar voor u en voor anderen. Verwijder stenen, takken, botten, staaldraad e.d. van het te maaien oppervlak.

Mensen en dieren

Mensen en dieren nabij het te maaien oppervlak kunnen in de baan van de gazonmaaier komen of in een positie waar ze geraakt kunnen worden door weggeslingerde voorwerpen. Zorg dat zich geen mensen, en vooral geen kinderen, of huisdieren in de buurt bevinden. Hun veiligheid is uw verantwoordelijkheid.

Gazon

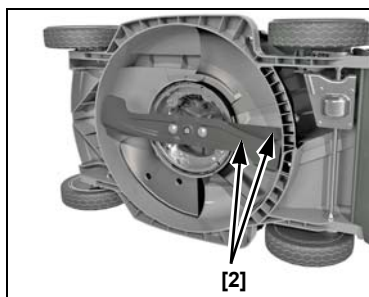
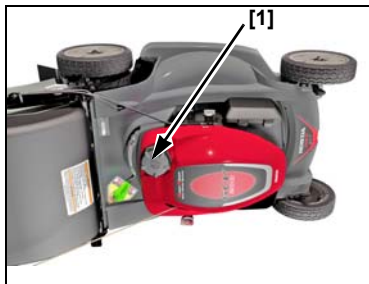
Kijk hoe hoog het gras is en hoe het er bij staat om de maaihoogte en de snelheid te bepalen.

Maai het gras niet als het nat is. Niet alleen raakt het maaidek daardoor verstopt en klontert het gemaaid gras op het gazon, maar nat gras geeft ook weinig grip en vergroot het risico dat u uitglijdt.

DE MAAIER CONTROLEREN

Messen

1. Zet de gashendel in de STOP-stand (bladzijde 5).
2. Draai de brandstofkraan DICHT (bladzijde 5).
3. Maak de bougiekap los van de bougie (bladzijde 13).
4. Kantel de maaier om naar rechts zodat de brandstofdop naar boven is gericht. Zo help u lekken voorkomen, en vermijdt u dat er motorolie doorsijpelt in de luchtfilter en dat de motor moeilijk start.
5. Controleer de snijbladen [1] op beschadigingen, barsten en overmatige roest of corrosie.



WAARSCHUWING

Het mes is scherp en draait zeer snel rond. Een ronddraaiend mes kan u ernstig verwonden en vingers en tenen amputeren.

- Draag beschermend schoeisel.
- Houd handen en voeten uit de buurt van het maaidek zolang de motor draait.
- Zet de motor altijd af voordat u instellingen verandert en inspectie of onderhoud uitvoert.

Een bot mes kan geslepen worden, maar een mes dat versleten, verbogen of gescheurd is moet vervangen worden. Afbrekende stukken van een versleten of beschadigd mes kunnen uit de maaier geslingerd worden.

Bring de gazonmaaier naar een geautoriseerde Honda-dealer om messen te laten slijpen of vervangen. Als u een momentsleutel hebt, kunt u zelf messen demonteren en monteren.

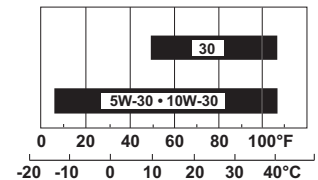
Controleer of de mesbouten [2] goed zijn aangedraaid (bladzijde 15).

Oliepeil

Zet de motor uit en plaats de maaier op een vlakke ondergrond als u het oliepeil gaat controleren.

Gebruik alleen olie voor viertaktmotoren met de aanduiding SH of vergelijkbare mengsels met een hoog detergensgehalte. Gebruik olie met een viscositeit die geschikt is voor de gemiddelde buitentemperatuur.

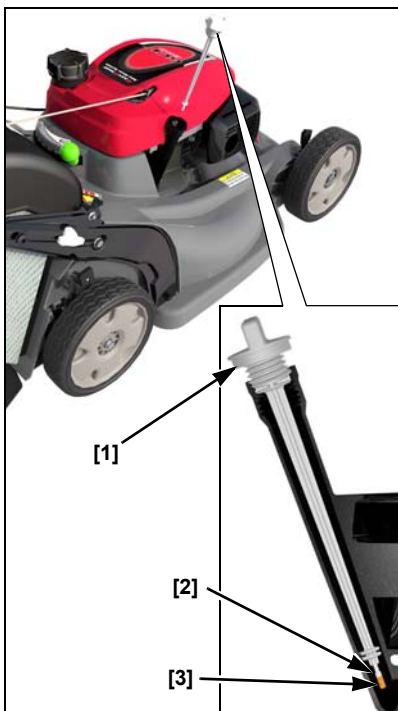
SAE 10W-30 wordt aanbevolen voor algemeen gebruik. Mengsels met een andere viscositeit zijn geschikt voor gebruik bij een gemiddelde buitentemperatuur zoals aangegeven in onderstaande grafiek.



OPMERKING

- Starten van de motor bij een laag oliepeil kan de motor beschadigen.
- Gebruik van olie met een laag detergensgehalte kan de levensduur van de motor verkorten, en gebruik van tweetaktmengsels kan de motor beschadigen.

1. Neem de dop van de olietank [1] en verwijder de olie van de peilstok.
2. Steek de oliepeilstok in de olietank, maar schroef de dop niet vast. Controleer het oliepeil op de peilstok.
3. Als het oliepeil dicht bij het onderste merkteken [3] staat, vult u de olie bij tot aan het bovenste merkteken [2]. Vul niet teveel olie bij.
4. Breng de dop van de olietank [1] weer aan en draai hem goed vast.



Benzine

Deze motor is gecertificeerd voor werking op loodvrije benzine, met een research-octaangetal van 91 of hoger.

We raden aan om na elk gebruik bij te tanken zodat er zo weinig mogelijk lucht in de brandstoftank aanwezig is.

Zorg dat de motor uit staat en dat er voldoende ventilatie is als u benzine bijvult. Als de motor heeft gelopen, laat u hem eerst afkoelen. Vul de benzine nooit bij in een ruimte waar benzinedampen kunnen ontbranden door open vuur of vonken.

U mag normale loodvrije benzine gebruiken met maximaal 10% ethanol (E10) of 5% methanol van de inhoud. Daarnaast moet methanol cosolvents en corrosievertragers bevatten. Gebruik van benzine met hogere percentages ethanol of methanol dan hier aangegeven, kunnen problemen veroorzaken met starten en/of de rijprestaties. Tevens kan het de metalen, rubber en plastic onderdelen van het brandstofsysteem beschadigen. Bovendien is ethanol hygroscopisch, dit betekent dat het water aantrekt en vasthoudt in het brandstofsysteem. Beschadiging van de motor en problemen met rijprestaties die het resultaat zijn van gebruik van benzine met een percentage ethanol of methanol dat groter is dan hier aangegeven, vallen niet onder de garantie.

Gelieve als uw apparaat gebruikt zal worden op occasionele of periodieke basis (meer dan 4 weken tussen gebruik) het onderdeel *Brandstof* te raadplegen in het hoofdstuk *BERGING* (bladzijde 17), voor aanvullende informatie met betrekking tot de kwaliteitsafname van brandstof.

⚠ WAARSCHUWING

Benzine is licht ontvlambaar en explosief.

Bij het hanteren van brandstof is het risico van brandwonden of zwaar letsel zeer groot.

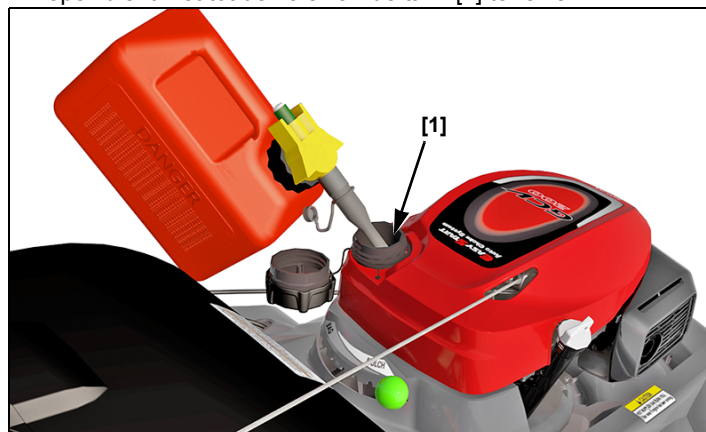
- Zet de motor af en houd hem buiten het bereik van hitte, vonken en open vuur.
- Hanteer brandstof uitsluitend buitenshuis.
- Dweil gemorste benzine onmiddellijk op.

Het is mogelijk dat de motor bij zware belasting licht "klopt" of "pingelt". Dit is geen reden tot zorg.

OPMERKING

Benzine tast verf en kunststof aan. Let erop dat u geen benzine morst als u de tank bijvult. Schade ontstaan door gemorste benzine valt niet onder de garantie.

Draai de dop van de benzinetank los en controleer het benzinepeil. Vul de tank bij als het benzinepeil laag is. Wees voorzichtig met bijvullen om morsen te voorkomen. Vul de tank niet te veel; het benzinepeil dient niet tot de hals van de tank [1] te reiken.



Draai na het vullen de tankdop stevig vast.

Zet de maaimachine ten minste 3 meter uit de buurt van de brandstofbron en -locatie voordat u de motor start.

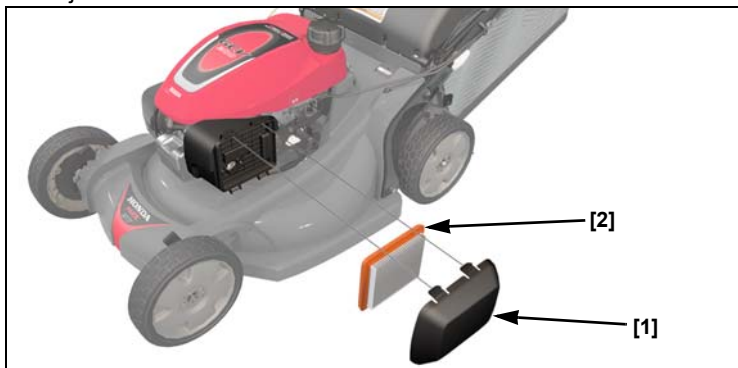
Brandstoftank

Sla uw brandstof in een nette, plastic, afgesloten container op die geschikt is voor brandstofopslag. Sluit het ventilatiegat af (indien voorzien) en stel de de tank niet bloot aan direct zonlicht. Als de brandstof langer dan 3 maanden wordt opgeslagen, raden we aan bij het vullen van de tank een stabiliseringsmiddel aan de brandstof toe te voegen.

Als u op het einde van het seizoen nog brandstof in uw opslagtank heeft, dan raadt het milieubeschermingsagentschap aan om deze benzine in de brandstoftank van uw auto te gieten.

Luchtfilter

Verwijder het deksel [1]. Zorg dat de luchtfilter [2] zuiver en in goede staat is. Een vuile luchtfilter beperkt de luchtdoorvoer naar de carburator, met verminderde motorprestaties als gevolg. Ga naar bladzijde 13 voor informatie over het onderhoud van de luchtfilter.



Stuurboom verstellen

Stel de hoogte van de stuurstang in op een comfortabele stand (bladzijde 4).

Grasvangzak

Een gazonmaaier werkt als een stofzuiger: hij blaast lucht in de zak, waardoor de afgemaaide grashalmen daar in worden opgevangen. Leeg de grasvangzak voordat hij helemaal vol raakt. Het verzamelvermogen neemt af wanneer de zak voor ongeveer 90% vol is. Ook is de zak gemakkelijker te legen als hij niet propvol zit.

Controle

Bij een normaal gebruik is het materiaal van de graszak onderhevig aan verslechtering en slijtage.

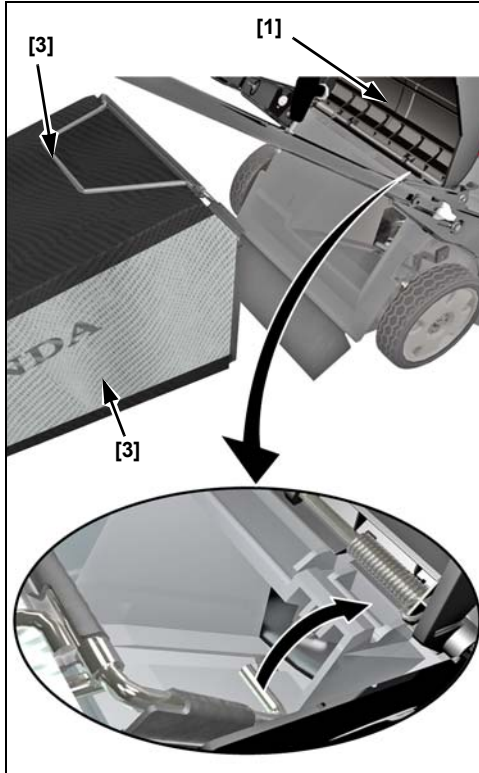
OPMERKING

Controleer de grasvangzak op scheuren, gaten of versleten plekken. De grasvangzak slijt door normaal gebruik en moet te zijner tijd vervangen worden.

Raadpleeg (bladzijde 15) om de grasvangzak te vervangen door een nieuwe.

Aanbrengen

1. Til de kap [1] op, pak de handgreep [3] vast en haak de grasvangzak [2] aan het maaidek.
2. Laat de klep weer zakken om de grasvangzak vast te zetten.

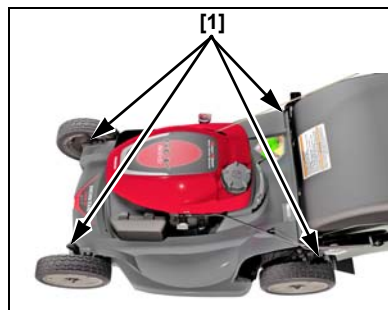


Verwijderen

1. Til de kap op, pak de grasvangzak bij de handgreep en verwijder hem.
2. Laat de kap weer zakken.
3. Als de grasvangzak van de klep los is, kunt u hem door de stuurboom tillen of achterlangs onder de stuurboom door verwijderen.

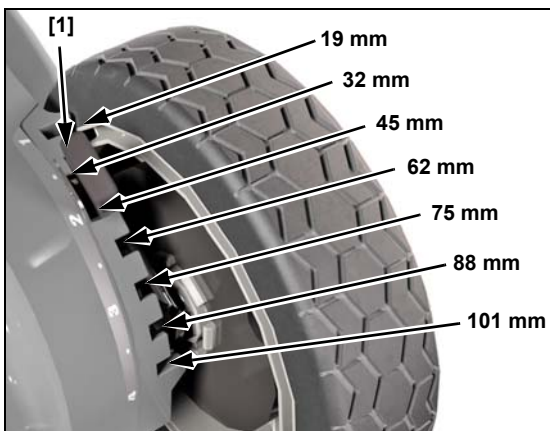
Maaihoogte

Controleer of de vier maaihoogtehendels [1] alle in dezelfde stand staan voor de gewenste maaihoogte.



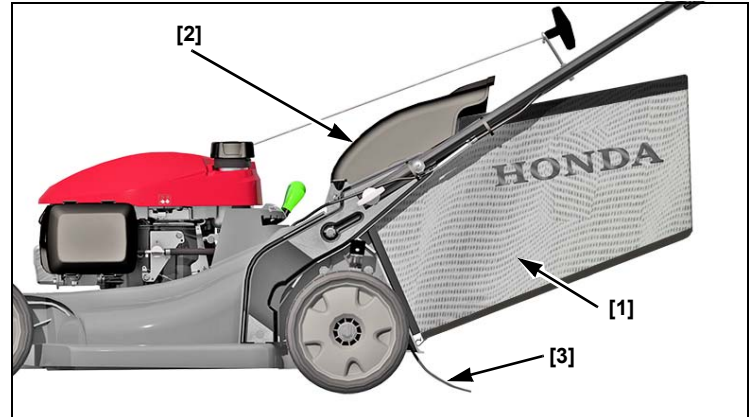
U kunt de maaihoogte verstellen door elke hendel [1] naar het wiel te duwen om hem in een andere stand te zetten.

Als u twijfelt over de juiste maaihoogte, begint u met een hoge stand. Maai een klein stukje en bekijk het resultaat. Stel de maaihoogte vervolgens naar wens lager in.



Achterbeschermplaat

Tijdens een normaal gebruik is de achterbeschermplaat [1] onderhevig aan beschadigingen en slijtage. Verwijder de graszak en de afvoerkap [2] om de achterbeschermplaat te controleren op barsten of scheuren. Als de achterbeschermplaat overmatig versleten is, moet u ze laten vervangen door uw erkende dealer voor onderhoud en reparaties van Honda.

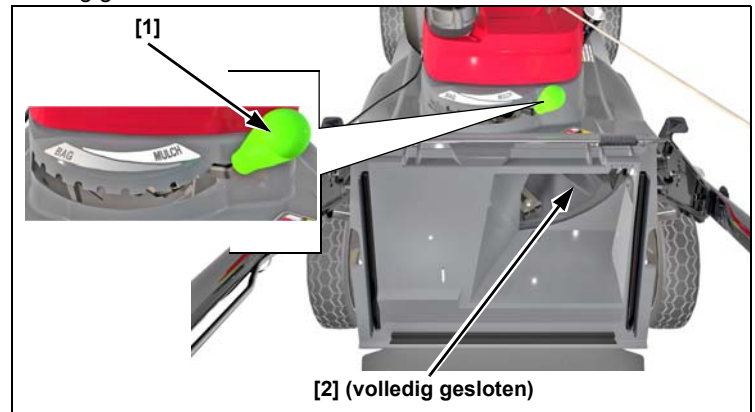


Maaiselrichting

Knopafstelling maaiselrichter

Stel voor het juiste maairesultaat de afstelknop [1] voor de maaiselrichting in op een van de tien standen.

Om de maaiselrichterknop af te stellen, dient u deze naar beneden te trekken in richting van de achterzijde van de maaimachine. De knop stelt een schuifdeur [2] in van de volledig geopende stand BAG tot de volledig gesloten stand MULCH.



Als u veel weerstand bemerkt terwijl u de maaiselrichterknop van de ene naar de andere kant verschuift, kan er te veel gras zijn opgehoopt bovenop de schuifdeur.

De verzameling van een zekere hoeveelheid gras in de uitvoeropening is normaal als de maairesultaat de afstelknop volledig gesloten is. Om dit gras te verwijderen, moet u het afvoerscherm sluiten, de maairesultaat de afstelknop volledig openen, de motor starten en de Bladbedieningshendel verscheidene keren inschakelen.

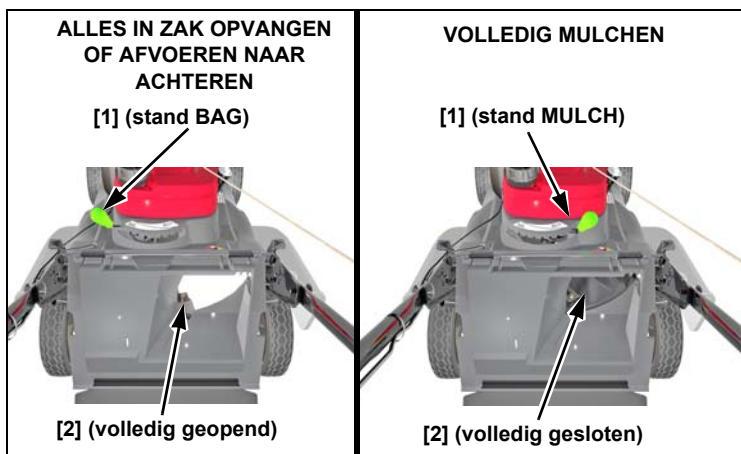
Belangrijke Veiligheidsmaatregel

Zet de motor altijd af en trek de bougiekap eraf voordat u de afvoerbekerskap omhoog haalt om rond de schuifdeur te inspecteren of schoon te maken. Zo voorkomt u contact met de draaiende messen en voorkomt u dat er voorwerpen het afvoergebied in worden geslingerd.

Stand schuifdeur

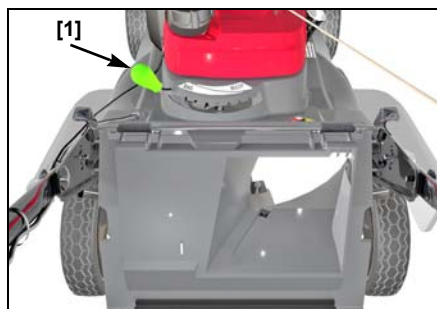
Door de plaatsing van de schuifdeur [2] kunnen er verschillende maairesultaten worden behaald. Als de voorkeursstand voor de schuifdeur onbekend is, monteer dan een graszak en begin het maaien met de maaiselrichterknop [1] helemaal op stand BAG.

Controleer hoe het gazon eruit ziet. Door de knop meer in richting van stand MULCH te schuiven, wordt er meer gras terug het gazon in gerecycled. Stel de maaiselrichterknop af tot het gewenste resultaat is bereikt.

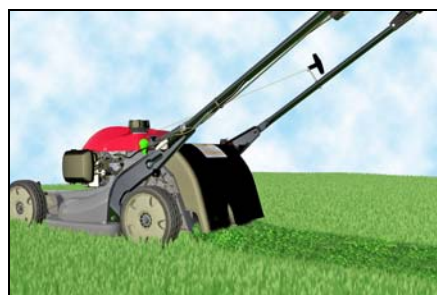


Afvoer naar achteren

Om het afgeknipte gras naar achteren af te voeren, de graszak verwijderen en de maaiselrichterknop [1] in het bereik BAG plaatsen.



Maximale afvoer naar achteren vindt plaats als de maaiselrichterknop in de stand (BAG) helemaal links staat. Door de maaiselrichterknop meer naar rechts (MULCH) te schuiven, wordt er minder gras afgevoerd door de afvoerbeschermkap achter.



DE MAAIER GEBRUIKEN

VOORZORGSMAATREGELEN

Lees *VEILIGHEIDSVORSCHRIFTEN* (bladzijde 2) and *VOORDAT U GAAT MAAIEN* (bladzijde 6) voordat u de gazonmaaier de eerste keer gebruikt.

Ook al hebt u ervaring met andere maaiers, neem dan toch even de tijd om vertrouwd te raken met de werking van deze maaier. Probeer hem op een vlak en ruim stuk gazon, voordat u uw vaardigheden beproeft op de moeilijker delen van uw gazon.

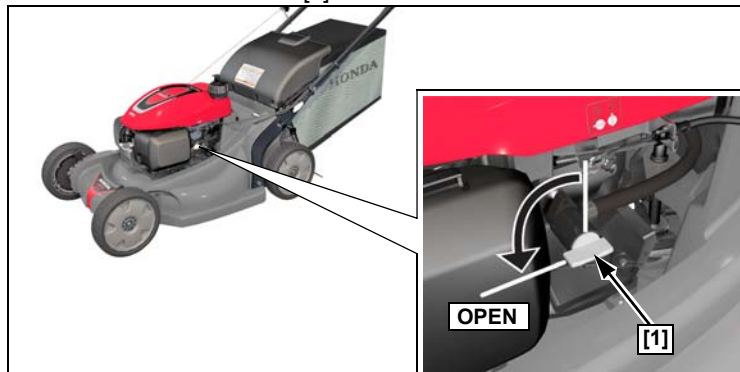
Uit oogpunt van veiligheid dient u de motor niet te starten of te gebruiken in een gesloten ruimte, zoals een garage. De uitlaatgassen van de maaier bevatten het giftige koolmonoxide dat in een gesloten ruimte snel leidt tot ademnood, bewusteloosheid en de dood.

GEBRUIKSFREQUENTIE

Gelieve als uw apparaat gebruikt zal worden op occasionele of periodieke basis (meer dan 4 weken tussen gebruik) het onderdeel *Brandstof* te raadplegen in het hoofdstuk *BERGING* (bladzijde 17), voor aanvullende informatie met betrekking tot de kwaliteitsafname van brandstof.

DE MOTOR STARTEN

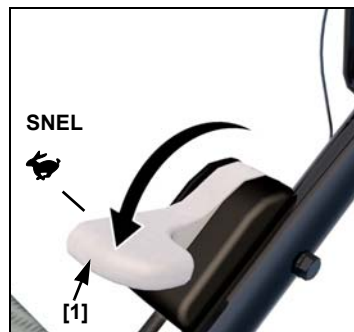
1. Draai de brandstofkraan [1] OPEN.



2. Zet de gashendel [1] in de juiste stand om te SNEL (↻).

3. Trek het startkoord langzaam uit tot u weerstand voelt, en start de motor dan met een flinke ruk. Laat het startkoord langzaam terugwikkelen.

Zet de meskoppelingshendel en de aandrijfkoppelingshendel voor het starten altijd in de vrijstand om te voorkomen dat het/de mes(sen) gaat/gaan draaien en de maaier gaat rijden.



4. Zodra de motor op bedrijfstemperatuur is gekomen, zet u de gashendel [1] op SNEL (↻) om te gaan maaien of op LANGZAAM (↻) om de motor stationair te laten draaien.

Laat de motor minimaal drie minuten warmdraaien voordat u deze afzet om ervoor te zorgen dat het Auto Choke System makkelijk opnieuw kan worden gestart en optimaal presteert. Bij temperaturen lager dan 21°C moet u de motor langer laten warmdraaien.

Gebruik in de bergen

Op grote hoogte levert de standaard afstelling van de carburateur een te rijk benzine/luchtmengsel. Hierdoor vermindert het motorvermogen en stijgt het brandstofverbruik. Ook wordt de bougie vuil, hetgeen startproblemen geeft.

Bij gebruik in de bergen kan het motorvermogen verhoogd worden door enkele aanpassingen aan de carburateur. Als u de maaier alleen

op een hoogte van meer dan 1500 m gebruikt, kunt u deze aanpassingen laten uitvoeren door de Honda-dealer.

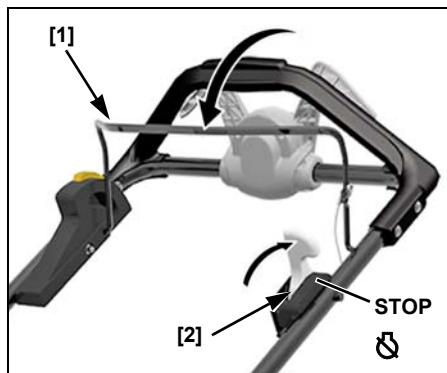
Ondanks deze aanpassing vermindert het het motorvermogen met ongeveer 3,5% per 300 meter stijging. De vermindering van motorvermogen zal nog groter zijn als de carburateur niet wordt aangepast.

OPMERKING

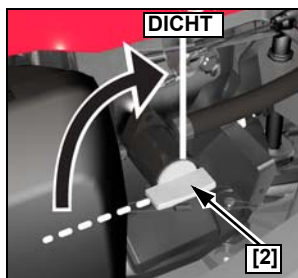
Als de carburateur is aangepast voor gebruik op grote hoogte, is het benzine/luchtmengsel te arm voor gebruik op een hoogte beneden 1500 m. Dit kan oververhitting en ernstige motorschade veroorzaken. Laat de Honda-dealer de carburateur daarom eerst terugbrengen in de oorspronkelijke staat, voordat u de maaier beneden de 1800 m gebruikt.

DE MOTOR AFZETTEN

1. Laat de meskoppelingshendel [1] los.
2. Schuif de gasklephendel [2] naar STOP.



3. Draai de brandstofkraan DICHT wanneer de maaier niet gebruikt wordt.



4. Als uw grasmachine gedurende 3 tot 4 weken niet zal worden gebruikt, dan raden we aan om de brandstop uit de carburator van de motor te verwijderen. U kunt dit doen door de brandstofklep in de stand OFF (Uit) te zetten, de motor opnieuw te starten en de resterende brandstof op te gebruiken. Als u de grasmaaier langer dan 4 weken niet gaat gebruiken, raadpleeg dan het hoofdstuk BERGING (bladzijde 16).

TIPS VOOR VEILIG MAAIEN

Houd voor uw eigen veiligheid alle vier wielen aan de grond en let op waar u loopt zodat u niet de controle over de maaier verliest. Houd de stuurboom stevig vast en loop altijd normaal, nooit hard, met de maaier. Wees voorzichtig als u een ongelijk of geaccidenteerd oppervlak maait.

Duw nooit met uw voet tegen de maaier als hij vast zit; gebruik alleen de stuurboom om de maaier te hanteren.

⚠ GEVAAR

De snijmiddelen zijn scherp en draaien op hoge snelheid.

Als u in contact komt met een draaiende snijmiddelen, zal het je ernstig gesneden en kunnen vingers en tenen amputeren.

- Draag beschermend schoeisel.
- Houd handen en voeten uit de buurt van het maaidek zolang de motor draait.
- Zet de motor altijd af voordat u instellingen verandert en inspectie of onderhoud uitvoert.

Hellingen

Maai een helling altijd dwars, niet van boven naar beneden. Maai geen steile hellingen (met een stijgings-percentages van meer dan 20°), en wees voorzichtig als u van richting verandert. Als u een helling maait met nat of vochtig gras kunt u uitglijden en de macht over de maaier verliezen.



Obstakels

Maai langs grote obstakels, zoals een hek of een muur, met de zijkant van de maaier.

Laat de aandrijfkoppelingshendel los om de aandrijving te ontkoppelen wanneer u rond een boom of een ander obstakel maait. In zulke gevallen kunt u de maaier beter sturen als u hem duwt. Wees voorzichtig als u over ingegraven obstakels heen maait, zoals sproeikoppen, tegels, boorders, enz. Maai nooit over dingen heen die boven het maaiveld uitsteken.

Als het mes iets heeft geraakt of als de maaier begint te trillen, zet dan de motor onmiddellijk af en controleer of er iets is beschadigd. Een obstakel kan het mes beschadigen, de krukas buigen en/of het maaidek of andere onderdelen breken. Trilling duidt meestal op een ernstig mankement.

⚠ WAARSCHUWING

Een versleten, gescheurd of beschadigd mes kan afbreken, waardoor stukken van het mes gevaarlijke projectielen kunnen worden.

Ook andere weggeslingerde objecten kunnen ernstig letsel veroorzaken.

Inspecteer het mes daarom regelmatig en gebruik de maaier niet met een versleten of beschadigd mes.

Onderdelen die worden beschadigd door ongelukken of een botsing vallen niet onder de garantie.

Gravel en losse voorwerpen

Gravel, grind en ander materiaal voor het aanleggen van tuinen kan door de maaier worden opgepikt en meters ver weggeslingerd worden met voldoende kracht om ernstig lichamelijk letsel of materiële schade te veroorzaken. De beste manier om mogelijk letsel door weggeslingerde voorwerpen te voorkomen is door de meskoppelingshendel los te laten, zodat het mes stilvalt voordat u op terrein komt waarop gravel, grind of ander los materiaal ligt.

MAAITIPS

Wanneer maaien?

De meeste grassoorten moeten gemaaid worden als ze 1 tot 3 cm boven hun aanbevolen hoogte uitkomen.

Als u het gras molmt, dient u vaker te maaien dan wanneer u het verzamelt. Maai uw gazon in het groeiseizoen twee maal per week voor de beste resultaten.

Maaihoogte

Vraag een kwekerij of een tuincentrum bij u in de buurt om advies over de aanbevolen maaihoogte en verzorging voor specifieke grassoorten.

Als u goed kijkt, ziet u dat de meeste grassoorten een steel en bladeren hebben. Als u de grashalmen helemaal afmaait, scalpeert u het gazon. Geef het gras voldoende tijd om zich te herstellen tussen maaibeurten. Dan zal de maaier beter werken en uw gazon beter ogen.

Als het gras te lang wordt, maait u het eerst op de hoogste maaihoogte en twee of drie dagen later nogmaals. Maai niet meer dan één-derde van de totale lengte per keer om te voorkomen dat bruine plekken ontstaan.

De werking van de maaihoogtehendels wordt beschreven in het hoofdstuk *BEDIENING* (bladzijde 5).

Maaistroken

Voor een gelijkmatige gazon laat u de maaistroken elkaar overlappen (5–10 cm). Bij zeer lang of dik gras houdt u een bredere overlapping aan.

Messnelheid

Het mes moet zeer snel roteren om goed te maaien. Zet de gashendel bij het maaien altijd op snel en laat de motor met maximale toeren draaien.

Als het toerental vermindert, kan dit betekenen dat de motor overbelast wordt doordat het mes teveel gras moet maaien. Maai een smallere strook, maai langzamer of stel de maaihoogte hoger in.

Messcherpte

Een scherp mes maait scherp. Door een stomp mes scheuren de grashalmen, waardoor de uiteinden bruin worden. Als het mes niet meer scherp maait, laat u het slijpen of vervangen.

Droog gras

Als de grond te droog is kan er bij het maaien veel stof opwaaien. Behalve dat dit onprettig werkt, kan ook het luchtfilter verstopt raken door grote hoeveelheden stof.

Als stof problemen geeft, sproeit u uw gazon een dag voordat u het gaat maaien. Maai het wanneer het gras droog aanvoelt, maar de grond nog vochtig is.

Nat gras

Nat gras is glad waardoor u kunt uitglijden. Bovendien klontert nat gras samen in het maaidek en op het gazon. Wacht altijd met maaien totdat het gras droog is.



GOEDE LENGTE



TE KORT

Gevallen bladeren

U kunt met uw maaier gevallen bladeren verzamelen om deze weg te gooien. Als u de maaimachine gebuikt om grote hoeveelheden bladeren te verzamelen en niet om te maaien, stel de snijhoogteafstelhendels dan zo in dat de voorzijde van het maaierdek één of twee instellingen hoger staat dan de achterzijde. Om te beginnen zet u de maaiselrichterknop in stand #9 (niet helemaal volledig mulchen). Met deze instelling worden de bladeren gerecycled en fijngesneden totdat de deeltjes klein genoeg zijn om door de schuifopening de graszak in te gaan. Afhankelijk van de grootte, het soort en hoeveelheid water die de bladeren bevatten, kan het nodig zijn de schuifdeur te openen voor het beste resultaat bladopvang in de zak. Met het juiste gebruik van de schuifdeur wordt de graszak beter gevuld, waardoor deze minder vaak hoeft te worden geleegd. Zorg dat er geen obstakels zoals stenen zijn verstopt onder de bladeren.

Als u uw gazon met mulch van bladeren wilt bedekken, laat de laag bladeren dan niet te dik worden voor u begint. Het beste resultaat wordt bereikt als u begint uw gazon met mulch te bedekken terwijl u het gras nog door de laag bladeren kunt zien. Op plaatsen waar de gevallen bladeren het gras volkomen bedekken, dient u ze met een hark te verwijderen of de graszak te gebruiken, zodat uw maaimachine ze kan verzamelen voor opruiming. Zet de maaiselrichterknop op de stand MULCH.

Verstopt maaidek

Zet de motor af en draai de brandstofkraan DICHT voordat u het maaidek reinigt. Verwijder de kap van de bougie voordat u de maaier met de carburateur omhoog op zijn kant legt.

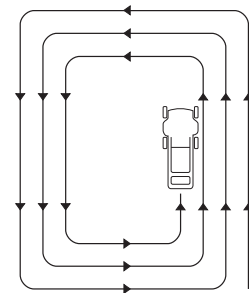
Verwijder aangekoekt gras altijd met een stuk hout, niet met uw handen.

Maairichting

De Honda-maaier werkt het best als u zoveel mogelijk maait in de richting zoals hieronder aangegeven. Het ontwerp van het maaidek en de machine, alsmede door de draairichting van het mes, geeft maaien in deze richting het beste resultaat.

Molmen

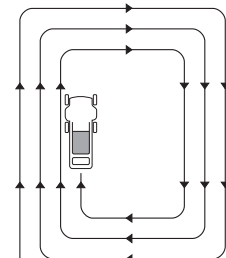
Maak een linksdraaiend maaipatroon als de maaiselrichtingknop op de stand volledige MULCH staat. Als het gazon een onregelmatige vorm heeft, of veel obstakels, dient u het in delen op te delen waar u de linksdraaiende maaipatronen kunt gebruiken.



MOLMEN

Opvangen in zak

Maak een linksdraaiend maaipatroon. Zo wordt de prestatie van de maaiselrichter en het opvangen in de zak het beste, waarbij er de minste hoeveelheid gemaaid gras op het gazon blijft.



PATROON IN ZAK OPVANGEN EN ACHTER ONTLADEN

Maaien met afvoer naar achteren

Verwijder de graszak en sluit de afvoerbeschermkap. Stel de maaiselrichterknop in op de gewenste stand en begin met maaien in een rechtsdraaiend patroon. Als het gazon een onregelmatige vorm heeft, of veel obstakels, dient u het in delen op te delen.

ONDERHOUD

HET BELANG VAN ONDERHOUD

Goed onderhoud is van wezenlijk belang voor veilige, zuinige en probleemloze werking van de maaier. Ook blijft luchtvervuiling hierdoor beperkt.

Voor een goed onderhoud van uw maaier bevatten de volgende pagina's een onderhoudsschema, standaard inspectie-procedures en eenvoudige onderhoudswerkzaamheden die u zelf kunt verrichten. Andere verrichtingen, die moeilijker zijn of speciaal gereedschap vereisen, kunt u het best overlaten aan de vakman en worden normaliter uitgevoerd bij de Honda-dealer.

Het onderhoudsschema is van toepassing op normale bedrijfsomstandigheden. Als u de maaier onder abnormale omstandigheden gebruikt, vraag dan de Honda-dealer om bijpassend advies.

Onthoud dat de Honda-dealer het best bekend is met de maaier en volledig is toegerust voor onderhoud en reparatie ervan.

Gebruik alleen nieuwe, originele Honda-onderdelen of onderdelen van vergelijkbare kwaliteit voor reparatie en vervanging, teneinde de hoogste betrouwbaarheid te waarborgen

WAARSCHUWING

Gebrekkelig onderhoud of nalatigheid bij het verhelpen van een probleem voordat u de maaier gebruikt, kan storingen veroorzaken en ernstig letsel of de dood tot gevolg hebben.

Volg altijd de aanbevelingen op in deze gebruiks-aanwijzing voor inspectie en onderhoud.

LET OP UW VEILIGHEID

Hier volgen enkele van de belangrijkste veiligheidsvoorschriften. We kunnen u echter niet waarschuwen voor elk denkbaar risico bij het uitvoeren van onderhoud. Alleen u kunt bepalen of u een bepaalde taak al of niet zelf zou moeten uitvoeren.

WAARSCHUWING

Als u de onderhoudsinstructies en veiligheidsvoorschriften niet precies opvolgt kunt u ernstig of dodelijk gewond raken.

Volg altijd de aanbevelingen op in deze gebruiks-aanwijzing voor inspectie en onderhoud.

Veiligheidsvoorschriften

- Zorg ervoor dat de motor uit staat voordat u met onderhoud of reparatie begint. Hierdoor voorkomt u verscheidene risico's:
 - **Koolmonoxidevergiftiging door uitlaatgassen.**
Zorg altijd voor voldoende ventilatie als u de motor moet laten draaien.
 - **Brandwonden door aanraking van hete machine-onderdelen.**
Laat de motor en de uitlaat afkoelen voordat u ze aanraakt.
 - **Letsel door bewegende onderdelen.**
Laat de motor niet draaien, tenzij dat uitdrukkelijk wordt gevraagd.
- Lees de instructies voordat u begint en zorg ervoor dat u beschikt over het benodigde gereedschap en de vereiste kennis.
- Beperk brand- en explosiegevaar tot een minimum door voorzichtig om te gaan met benzine. Gebruik alleen niet-ontvlambaar oplosmiddel en geen benzine voor het schoonmaken van onderdelen. Houd sigaretten, vonken, en open vuur uit de buurt van onderdelen die met brandstof te maken hebben..

ONDERHOUDSSCHEMA

Elk tijdvak uitvoeren of na het aantal aangegeven bedrijfsuren als dat eerder bereikt is ⁽¹⁾.

Service-tijdvak	Actie	Bladzijde
Voor Elk gebru	Achterbeschermplaat: Controleren Mes en mesbouten: Controleren Grasvangzak: Controleren Motorolie: Controleren Luchtfilter: Controleren Controle van de werking van de bladbedieningshendel	bladzijde 8 bladzijde 6 bladzijde 15 bladzijde 6 bladzijde 7 bladzijde 5
1ste maand of 5 uur	Motorolie: Verversen Select Drive kabel: Nastellen	bladzijde 12 bladzijde 14
1ste 25 uur	Luchtfilter: Reinig ¹ Meskoppelings-kabel: Nastellen ² Select Drive kabel: Nastellen	bladzijde 13 bladzijde 14
Elke 50 uur	Motorolie: Verversen ¹ Luchtfilter: Reinig ¹ Select Drive kabel: Nastellen	bladzijde 12 bladzijde 13 bladzijde 14
Elk 100 uur	6 mnd items hierboven, plus: Bougie: Reinig./Nastell Vonkenvanger: Reinigen ³ (indien aanwezig) Meskoppeling: Controleren, Afstellen Gaskabel: Afstellen ² Pignon toestellen: Smeer ² Meskoppelings-kabel: Nastellen ² Klepspel: Afstellen ² Stationair toerental: Control./Nastell ² Benzinetank: Reinigen ²	bladzijde 13 bladzijde 14 bladzijde 14
Elk 150 uur	Per jaar items hierboven, plus: Luchtfilter: Vervang Bougie: Vervang Inspecteer-Smeer achterwiel adjuster bus ²	bladzijde 13 bladzijde 13
Elk 2 jaar	Benzineleiding: Vervangen ²	

1. Vaker bij gebruik in stoffige omgeving.
2. Door de dealer laten uitvoeren, tenzij u zelf beschikt over het benodigde gereedschap en de vereiste kennis. Raadpleeg in dat geval het Honda werkplaatshandboek.
3. In Europa en andere landen waar richtlijn 2006/42/EC voor machines van kracht is, dient deze reiniging door uw onderhoudsgarage te worden uitgevoerd.

Nalaten dit onderhoudsschema op te volgen kan storingen tot gevolg hebben die niet door de garantie worden gedekt.

MOTORONDERHOUD

Olie verversen

Tap oude olie af als de motor nog warm is, omdat de olie dan het snelst en volledig wordt afgetapt.

1. Zet de gashendel op STOP en draai de brandstofkraan DICHT. Hiermee beperkt u het risico van brandstoflekkage (bladzijde 5).
2. Veeg het gebied rond de vulopening schoon en verwijder de olievuldop.

3. Zet een opvangblik naast de maaier om de afgewerkte olie op te vangen en kantel de maaier naar rechts. De olie komt door de vulopening naar buiten. Laat alle olie eruit lopen.

Help grondwatervervuiling te voorkomen. Gooi afgewerkte olie niet zomaar weg, maar breng het in een oud blik naar een innamepunt voor afgewerkte olie. Gooi het niet in de vuilnisbak, in het riool of in de tuin.

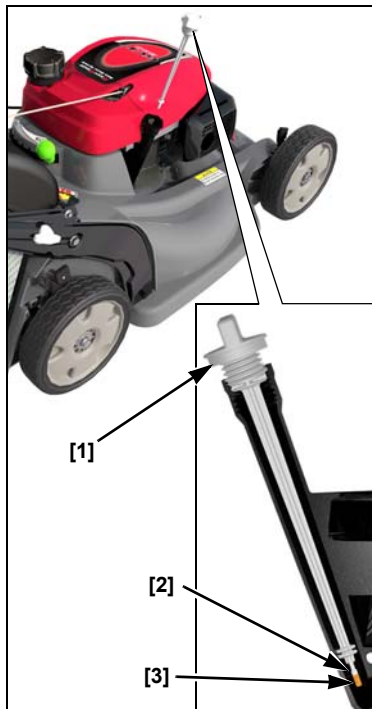


4. Vul het carter met het aanbevolen type olie (bladzijde 6) tot aan de bovenste streep op de oliepeilstok. Meet het oliepeil zoals beschreven op de volgende pagina.
Hoeveelheid bij te vullen: 0,35 ~ 0,40 L



5. Als u de olie hebt ververs, zet u de maaier overeind om het oliepeil te controleren voordat u de motor start:

- a. Verwijder de olievuldop [1].
- b. Veeg de oliepeilstok [1] schoon.
- c. Plaats de oliepeilstok [1] terug zonder de dop vast te draaien. Controleer het oliepeil dat op de peilstok aangegeven wordt.
- d. Als de olie onder het onderste streepje [2] op de peilstok staat vult u olie bij tot aan het bovenste streepje [3]. Vul niet teveel olie bij om te voorkomen dat olie in het luchtfilter terecht komt.



OPMERKING

Als u de motor laat draaien met een te laag oliepeil, kan motorschade optreden.

- e. Draai de olievuldop stevig vast.

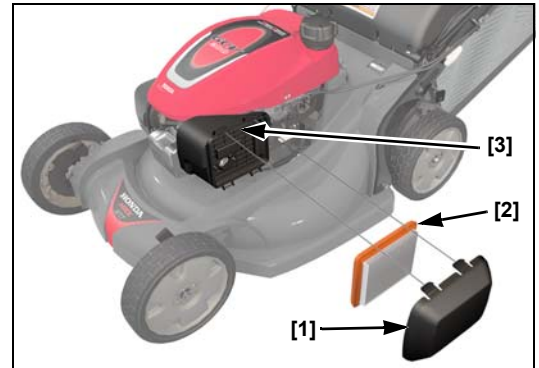
Luchtfilter

Een goed onderhouden luchtfilter zorgt ervoor dat er geen vuil in uw motor kan komen. Als er vuil in de carburator komt, dan kan dit in dit kanalen komen en ervoor zorgen dat de motor vroegtijdig verslijt. Deze kleine kanalen kunnen worden verstopt, wat werking- of startproblemen kan veroorzaken. Gebruik altijd een luchtfilter die geschikt is voor uw motor zodat u er zeker kunt zijn dat hij zoals bedoeld afdicht en werkt.

OPMERKING

Wanneer er zonder luchtfilter gewerkt wordt, of met een defecte luchtfilter, geraakt er vuil in de motor waardoor de motor sneller verslijt. Deze schade wordt niet gedekt door de Beperkte Garantie van de Verdelers.

1. Druk de lipjes [1] van het deksel van de luchtfilter in en verwijder het deksel.
2. Neem de filter [2] uit de behuizing [3].
3. Controleer de filter en vervang indien beschadigd.
4. Reinig de filter door er enkele keren mee op een harde ondergrond te tikken of blaas er lucht onder druk (niet meer dan 207 kPa) door via de binnenkant. Borstel vuil nooit af: borstelen doet het doordringen tot in de vezels.
5. Veeg de binnenkant van de behuizing en het deksel schoon met een vochtige doek. Zorg ervoor dat er geen vuil in het luchtkanaal naar de carburator terechtkomt.
6. Monteer de filter en het deksel opnieuw.



Bougie

Aanbevolen bougies:

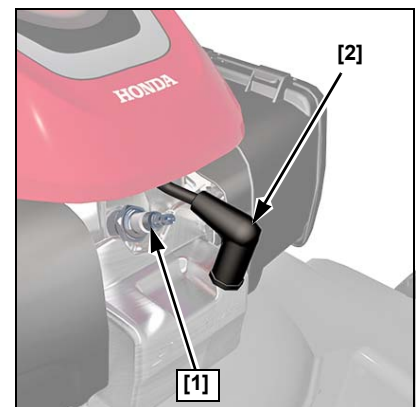
NGK - BPR5ES

OPMERKING

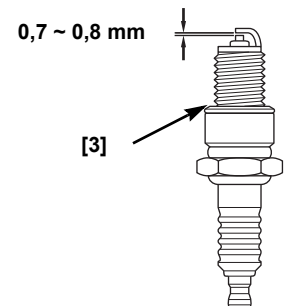
Verkeerde bougies kunnen schade aan de motor veroorzaken.

Voor een goede werking moet de bougie [1] goed afgesteld en vrij van aanslag zijn.

1. Verwijder de bougiekap [2] en verwijder aanslag.
2. Draai de bougie los met een bougiesleutel.



3. Inspecteer de bougie. Als de elektroden versleten zijn of als het isolerend gedeelte kapot is of gebarsten, vervangt u de bougie.
4. Meet de afstand tussen de elektroden met een voelmaat. De juiste afstand is 0,7 ~ 0,8 mm. Met voorzichtig tikken kunt u een te grote afstand nastellen.
5. Schroef de bougie voorzichtig handvast in de cilinderkop.
6. Als de bougie is vastgeschroefd, draait u hem aan met een bougiesleutel zodat de afdichtingsring ingedrukt wordt.



Als u een oude bougie opnieuw gebruikt, trekt u hem 1/8 tot 1/4 slag aan.

Een nieuwe bougie moet een 1/2 slag aangetrokken worden zodat de afdichtingsring [3] ingedrukt wordt.

Boutmoment: 20 N·m

OPMERKING

Als een bougie te los zit kan hij te heet worden en de cilinderkop beschadigen. Als de bougie te vast wordt aangetrokken kan het schroefdraad in de cilinderkop beschadigd worden.

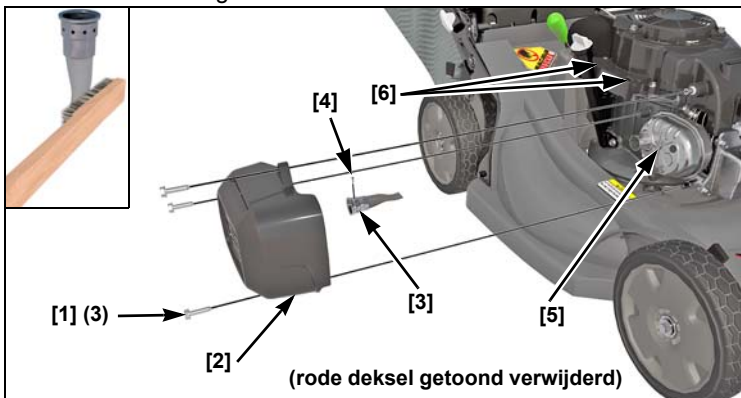
7. Breng de bougiekap weer aan.

Vonkenvanger

In Europa en andere landen waar richtlijn 2006/42/EC voor machines van kracht is, dient deze reiniging door uw onderhoudsgarage te worden uitgevoerd.

De vonkenvanger moet om de honderd uur een onderhoudsbeurt krijgen om zijn goede werking te behouden.

1. Laat de motor afkoelen.
2. Maak de twee lipjes op de rode kap [6] aan de uitlaatdemperzijde van de motor los en til de kap vervolgens iets op.
3. Verwijder dan de drie bouten [1] van het dempschild [2] met een dopsleutel van 10 mm.
4. Verwijder het dempschild [2].
5. Verwijder de schroef [4].
6. Neem de vonkenvanger [3] uit de demper [5].
7. Controleer de vonkenvanger [3] en de uitlaatpoort op koolstofafzettingen. Borstel de koolstofresten weg. Beschadig het scherm [3] van de vonkenvanger niet.
8. Monteer de vonkenvanger in de demper.
9. Monteer alle onderdelen van de demper op de motor en draai de drie bouten stevig aan.



AFSTELLINGEN BEDIENINGSKABEL

Kabelafstelling tractie-aandrijving

Met de motor uitgeschakeld, draait u de borgmoer [1] één omwenteling los.

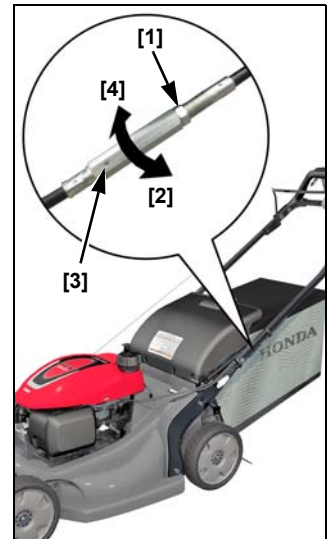
Draai de regelaar [4] door het draaien van CW een omwenteling met de hand, en trek de grasmaaier naar achteren om de weerstand te controleren.

Als er geen wielweerstand is, herhaalt u de bovenstaande procedure totdat de wielen blokkeren bij het naar achteren trekken.

Vervolgens markeer de regelaar [3] en draai [2] aan de stabilisator CCW acht volledige.

Houd de regelaar vast en draai de borgmoer vast tegen de regelaar. Duw de grasmaaier naar voren en naar achteren om te controleren of er weinig of geen weerstand meer is.

Start de motor om zeker te zijn dat de grasmaaier niet vooruit beweegt zonder dat de bediening Select Drive wordt ingedruwd.



MES MONTEREN EN DEMONTEREN

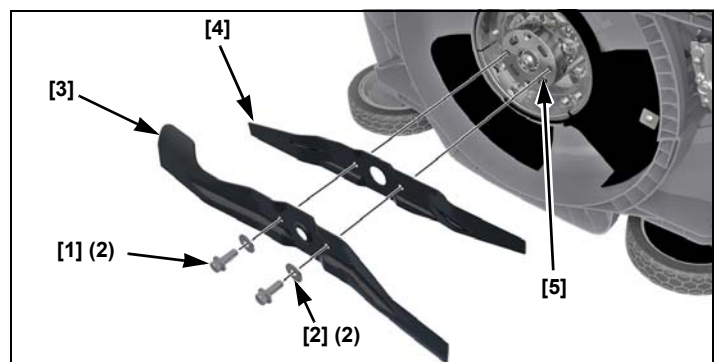
Als u het messtel demonteert om te slijpen of te vervangen, hebt u een momentsleutel nodig voor de montage. Draag hierbij werkhandschoenen om uw handen te beschermen.

SLIJPEN: Laat het messtel slijpen door een vakman of bij de Honda-dealer om te voorkomen dat het verzwakt, zijn evenwicht verliest of slecht snijdt.

VERVANGEN: Vervang een versleten mes(stel) altijd door een nieuw, origineel Honda-messtel.

Demonteren

1. Zet de gashendel op STOP sluiten.
2. Draai de brandstofkraan DICHT. Kantel de maaier om naar rechts zodat de brandstofdop naar boven is gericht. Zo help u lekken voorkomen, en vermijdt u dat er motorolie doorsijpelt in de luchtfilter en dat de motor moeilijk start.
3. Zet het maaimes vast met een blok hout om te voorkomen dat het gaat draaien. Gebruik een pijpsleutel (14 mm) en verwijder de twee bouten [1] en de speciale ringetjes [2] van de aandrijfas [5].
4. Verwijder het bovenste [4] en het onderste molmmes [3].



Monteren

1. Verwijder eventueel vuil en gras van de aandrijfas.
2. Monteer het mes(stel) [3] [4] met de bouten [1] en de speciale ringetjes [2], zoals getoond in de illustratie.

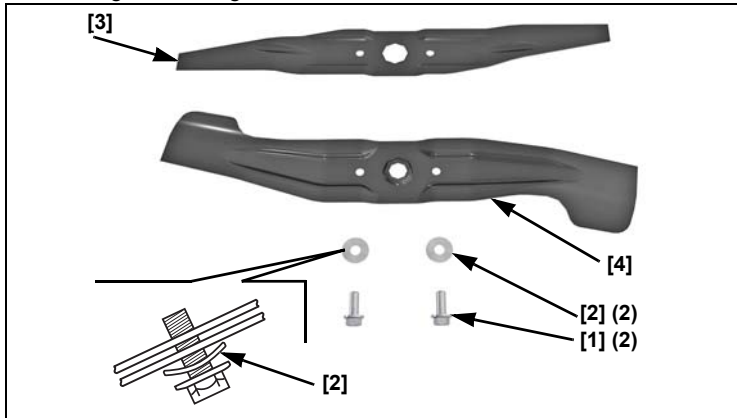
⚠ WAARSCHUWING

Als deze maaier met slechts één snijblad gebruikt wordt, zal het blad niet goed vastzitten, en kan het uit de maaier geworpen worden. Dit kan leiden tot ernstige verwondingen of de dood van mensen.

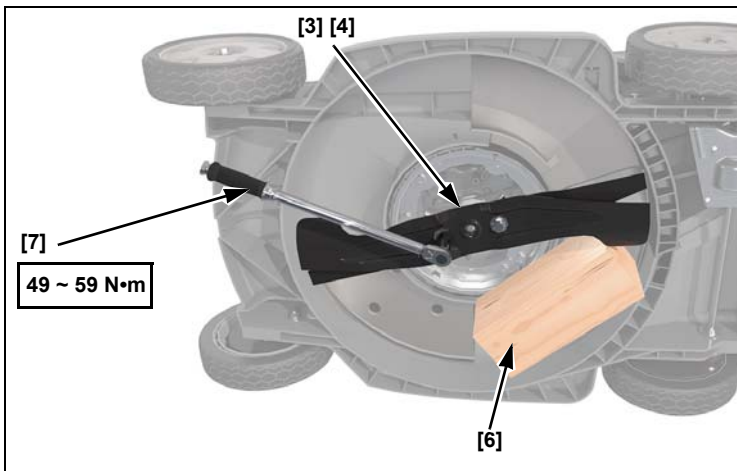
Gebruik altijd beide snijbladen als een set.

Zorg ervoor dat u de speciale ringetjes aanbrengt met de holle kant naar het mes(stel) toe en de bolle kant naar de kop van de bouten toe.

De bouten zijn speciaal ontworpen voor deze toepassing. Gebruik onder geen beding andere bouten.



3. Draai de bouten vast met een momentsleutel [7]. Zet het mes(stel) vast met een houten blok [6] om te voorkomen dat het gaat draaien.



Boutmoment: 49 ~ 59 N·m

Als u niet beschikt over een momentsleutel, laat dan uw Honda-dealer de bouten vastzetten voordat u de maaier gebruikt. Als de bouten te vast zijn aangehaald kunnen ze breken; als ze niet vast genoeg zijn aangehaald, kunnen ze lostrillen. In beide gevallen kan het mes(stel) los komen en weggeslingerd worden tijdens het gebruik van de maaier.

Blade montage bout inspectie

Inspecteer de mesbouten op tekenen van beschadiging of losheid. Als ze beschadigd zijn, moeten ze worden vervangen.

Als ze los lijken, moet een momentsleutel worden gebruikt om de bladbouten nauwkeurig aan te draaien tot het vereiste moment. Als u geen momentsleutel hebt, neemt u uw grasmaaier naar een erkende dealer om de bouten te laten vervangen of vast te zetten.

Gebruik alleen originele Honda-bouten en speciale onderleggingen, omdat ze speciaal voor dit doel zijn ontworpen. Vervangende onderdeelnummers staan op bladzijde 18.

Inspecteer sluitringen en boutkoppen op losheid en beschadiging.



GRASVANGZAK REINIGEN EN VERVANGEN

Reinigen

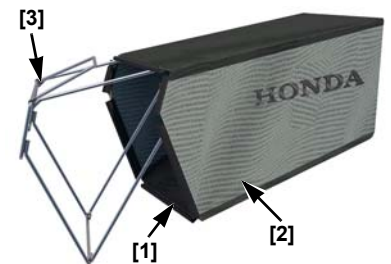
Spuit de grasvangzak schoon met de tuinslang en laat hem goed drogen; een natte zak raakt snel verstopt.

Vervangen

Vervang een versleten of beschadigde grasvangzak door een originele Honda grasvangzak.

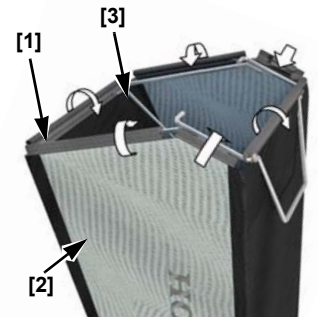
Verwijderen

1. Haal de plastic randen [1] van de zak [2] los van het frame [3].
2. Neem de zak [2] van het frame.



Aanbrengen

1. Plaats het frame [3] in de zak [2], zoals in de bovenste illustratie.
2. Bevestig de plastic randen [1] van de zak [2] aan het frame.

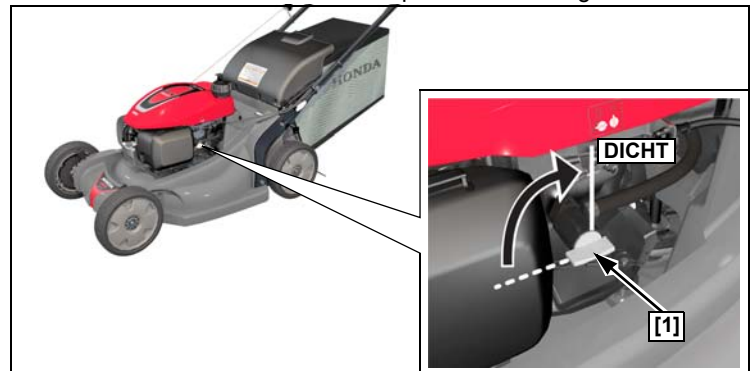


TRANSPORT

Alvorens in te laden

Als de motor heeft gedraaid, laat u hem ten minste 15 minuten afkoelen voordat u de maaier in de auto of op een aanhanger laadt. Aan een hete motor en uitlaat kunt u zich verbranden en ander materiaal kan vlam vatten.

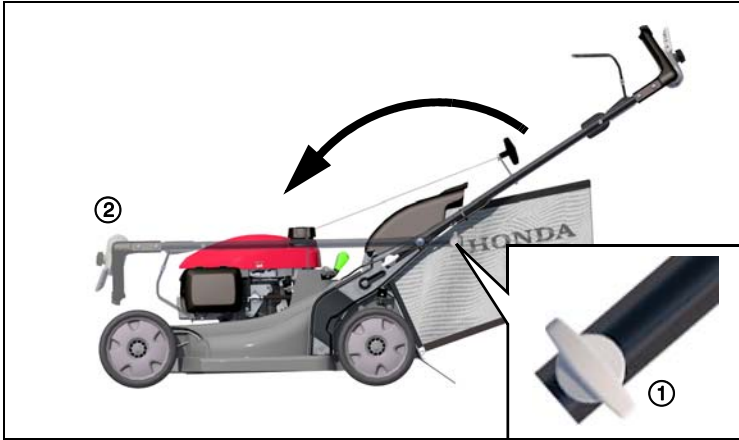
Draai de brandstofkraan [1] DICHT. Dat zal verzuipen van de carburateur voorkomen en de kans op brandstoflekage reduceren.



Stuurboom neerklappen

1. Verwijder de grasvangzak, indien gemonteerd. Deze kunt u met de opening naar voren bovenop de motor leggen (bladzijde 7).
2. Ontgrendel de afstelknoppen van de handgreep [1] en zwaai dan de handgreep naar voren [2]. Zorg dat de bedieningshendel van het blad de motor schoonmaakt bij het inklappen van het stuur.

Wanneer u de stuurboom omklapt, moet u er op letten dat de kabels daarbij niet geknikt of afgeknepen worden.



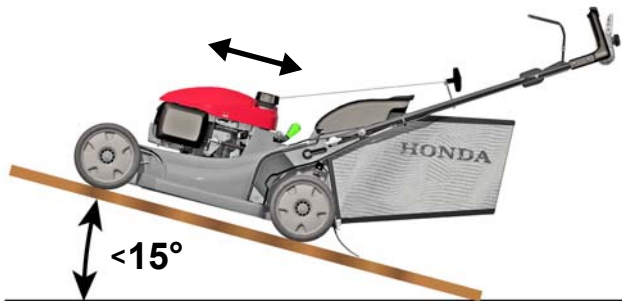
In- en uitladen

Plaats de maaier zodanig dat alle vier wielen op het laadvlak van het transportvoertuig staan. Blokkeer de vier wielen en slijp de maaier vast. Let op dat sjorringen niet op de bedieningshendels, kabels en de carburateur dragen.

OPMERKING

Rijd de maaier niet op de motor een laadplank op of af. Zo voorkomt u dat u de macht over de maaier verliest en schade veroorzaakt. Schakel nooit de aandrijfkoppeling in wanneer u de gazonmaaier achteruit rolt, om beschadiging van de koppeling te voorkomen.

1. Stop de motor en laat de gashendel op STOP staan. Draai de brandstofkraan DICTH.
2. Gebruik een laadplank die lang genoeg is om de maaier onder een hoek van maximaal 15° te kunnen in- of uitladen. Als u niet beschikt over een laadplank, moet de maaier door twee mensen op of van het transportvoertuig getild worden, waarbij de machine rechtop gehouden wordt.



BERGING

Juiste berging zorgt er voor dat uw maaier in goede conditie blijft. Onderstaande stappen helpen u de maaier te beschermen tegen roestvorming en bij de verzorging, zodat hij het volgende seizoen weer gemakkelijk start.

Schoonmaken

1. Spuit de gazonmaaier schoon, inclusief de onderkant van het maaidek.

Motor

Was de motor met de hand en zorg ervoor dat er geen water in het luchtfilter komt.

OPMERKING

Als u de motor schoonspuit met een tuinslang of een hogedrukspuit kan er water in het luchtfilter binnendringen. Water wordt door de filteronderdelen geabsorbeerd en kan vervolgens in de carburateur of de cilinder terecht komen, met motorschade als gevolg.

Als er water in contact komt met een hete motor kan er schade optreden. Als de motor heeft gedraaid, laat u hem ten minste een half uur afkoelen voordat u hem schoonmaakt.

Maaidek

Als u een tuinslang of een hogedrukspuit gebruikt om het maaidek te reinigen, laat dan geen water in de bedieningshendels en kabels komen of in de buurt van het luchtfilter of de uitlaat.

Zorg ervoor dat u de gashendel op STOP hebt gezet en de brandstofkraan DICTH gedraaid is, voordat u de onderkant van het maaidek schoonmaakt. Kantel de maaier om naar rechts zodat de brandstofop naar boven is gericht. Dit voorkomt brandstoflekkage en startproblemen door een verzopen carburateur. Draag werkhandschoenen om uw handen te beschermen tegen het mes(stel).

Grasvangzak

Demonteer de zak van de maaier en reinig deze met een tuinslang of een hogedrukspuit. Laat de zak goed drogen voordat u hem opbergt.

2. Wrijf alle toegankelijke oppervlakken van de maaier na het schoonmaken droog.
3. Zet de maaier rechtop en start de motor buitenshuis. Laat de motor warmdraaien om eventueel achtergebleven water te laten verdampen.
4. Trek, terwijl de motor draait, vier of vijf keer aan de meskoppelingshendel om water van het meskoppelingsmechanisme te verwijderen. Laat het mes enkele minuten draaien, zodat er geen water kan achterblijven.
5. Zet de motor af en laat hem afkoelen.
6. Als de gazonmaaier schoon en droog is, kunt u eventueel kale plekken bijwerken en andere delen die kunnen roesten spaarzaam inoliën.

Brandstof

OPMERKING

Afhankelijk van de streek waar u uw apparaat gebruikt, kan de kwaliteit van de brandstofsamenstelling slechter zijn en kan deze sneller oxideren. Een kwaliteitsafname en oxidatie van de brandstof kan al na 30 dagen voorkomen, en kan schade toebrengen aan de carburator en /of het brandstofsysteem. Gelieve uw onderhoudsdealer te raadplegen voor lokale aanbevelingen in verband met de bewaring.

Benzine verouderd tijdens de opslag. Oude benzine veroorzaakt startproblemen harsafzetting waardoor de brandstoftoevoer verstopt raakt. Als de benzine in uw maaier tijdens de berging verouderd, moeten de carburateur en andere onderdelen van de brandstoftoevoer mogelijk gerepareerd of vervangen worden.

Hoe lang u benzine in de tank en de carburateur kunt laten zitten zonder dat dit motorstoring veroorzaakt, is afhankelijk van verschillende factoren, zoals het type mengsel, de temperatuur in de berging en hoe vol de tank is. Door de lucht in een niet-volle tank verouderd de benzine eerder. Bij een hoge temperatuur in de berging zal de benzine sneller verouderen. Benzine kan al binnen enkele maanden verouderen, of nog eerder als u de tank met benzine had gevuld die niet vers was.

Als je een container voor het tanken van benzine, er zeker van zijn dat het alleen verse benzine bevat.

Als de brandstof langer dan 3 maanden wordt opgeslagen, raden we aan bij het vullen van de tank een stabiliseringsmiddel aan de brandstof toe te voegen

Kortstondige opslag (30-90 dagen):

Als uw grasmaaier gedurende 30 tot 90 dagen niet wordt gebruikt, dan raden we het volgende aan om brandstofgerelateerde problemen te vermijden:

1. Voeg benzinstabilisator toe volgens de instructies van de fabrikant.
Bij het toevoegen van een benzinstabilisator, vul de brandstoftank met verse benzine. Indien slechts gedeeltelijk gevuld is, de lucht in de tank brandstof verslechtering tijdens de opslag te bevorderen.
Opmerking:
 - Alle stabiliseringsmiddelen hebben een beperkte houdbaarheid en hun prestatie zal na verloop van tijd vervallen.
 - Brandstofstabiliseringsmiddelen vervangen niet gewone brandstof.
2. Na het toevoegen van een benzine stabilisator laat u de motor gedurende 10 minuten buiten draaien om te verzekeren dat de onbehandelde benzine in het brandstofsysteem is vervangen door de behandelde benzine.
3. Draai de brandstofklep naar de DICHT-stand.
4. Laat de motor draaien totdat deze stopt door gebrek aan brandstof in het brandstofreservoir van de carburateur. Laat de motor minder dan 3 minuten draaien.

Langdurige opslag (langer dan 90 dagen)

Start de motor en laat hem lang genoeg draaien totdat er geen benzine meer in het brandstofsysteem is (inclusief de brandstoftank). Laat geen benzine in de motor als u de machine langer dan 90 dagen niet gaat gebruiken.

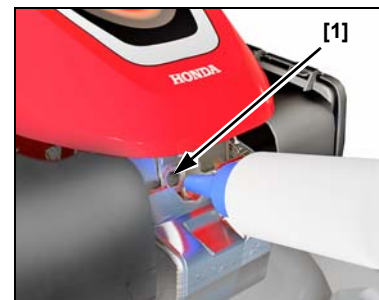
Schade aan de brandstoftoevoer of problemen met de motor doordat u de berging niet zorgvuldig hebt voorbereid, vallen niet onder de garantie.

Olie

Ververs de olie (bladzijde 12).

Cilinder

Als de maaier langer dan 3 maanden niet wordt gebruikt, maakt u de bougie los (zie bladzijde 13) en giet u 5 ~ 10 cc schone olie in de cilinder [1]. Trek langzaam 2 à 3 keer aan het starterkoord om de olie te verspreiden en monteer de bougie.



Trek langzaam aan het starterkoord totdat u weerstand voelt en breng de handgreep dan met de hand terug. Hierdoor worden de kleppen gesloten zodat er geen vocht in de cilinder kan komen.

De Maaier Opbergen

Als u de maaier in de berging zet terwijl er benzine in de tank en de carburateur zit, is het belangrijk te voorkomen dat benzinedampen kunnen ontbranden. Kies een goed geventileerde bergplaats waar geen apparaten staan die vonken of vuur gebruiken, zoals een geiser, of apparaten met een elektrische ontsteking.

Vermijd zo mogelijk een bergplaats met een hoge luchtvochtigheid waardoor roest en corrosie kunnen optreden.

Zet de maaier altijd met zijn wielen op een horizontaal vlak. Als hij scheef staat kan er benzine of olie uit lekken.

Om ruimte te besparen kunt u de stuurboom neerklappen (bladzijde 16).

Als de motor en de uitlaat zijn afgekoeld dekt u de maaier af tegen stof. Als de motor en de uitlaat heet zijn, kunnen sommige materialen smelten of vlam vatten. Gebruik geen plastic als afdekking; onder een niet-poreuze afdekking kan zich vocht ophopen waardoor roest en corrosie sneller kunnen optreden.

Uit De Berging Halen

Controleer de maaier zoals beschreven in het hoofdstuk **VOORDAT U GAAT MAAIEN**, eerder in deze gebruiksaanwijzing (bladzijde 6).

Als u olie in de cilinder heeft gegoten alvorens de maaier op te bergen, zal de motor na het starten even roken. Dat is normaal.

STORINGZOEKEN

MOTOR START NIET

Mogelijke oorzaak	Oplossing
Brandstofkraan is DICHT	Draai brandstofkraan OPEN (bladzijde 5).
Gashendel in verkeerde stand	Zet gashendel op snel (bladzijde 5).
Benzine is op	Vul benzine bij (bladzijde 7).
Benzine is oud; maaier opgeborgen zonder benzine af te behandelen, of bijgetankt met oude benzine	Vul bij met nieuwe benzine (bladzijde 7).
Bougie kapot, vuil of te grote elektrode-afstand	Vervang, ontkool bougie of stel elektrode bij (bladzijde 13).
Bougie nat van benzine (verzopen carburateur)	Laat bougie eerst drogen, start motor met gas- hendel op snel.
Benzinefilter verstopt, carburateur defect, ontsteking defect, kleppen vast, enz.	Breng de maaier naar de Honda-dealer of raadpleeg werkplaats- handboek.

VERMOGEN DAALT

Mogelijke oorzaak	Oplossing
Gashendel staat niet op snel	Zet gashendel op snel (bladzijde 5).
Het gras is te lang voor de maaihoogte	Vermeerder maaihoogte (bladzijde 8), maai smallere strook (bladzijde 8), of maai vaker. Stel de maaiselrichterknop.
Maaidek verstopt	Reinig het maaidek deck (bladzijde 11).
Luchtfilter is verstopt	Reinig of vervang de luchtfilter (bladzijde 13).
Benzine is oud; maaier opgeborgen zonder benzine af te behandelen, of bijgetankt met oude benzine	Vul bij met nieuwe benzine (bladzijde 7).
Benzinefilter verstopt, carburateur defect, ontsteking defect, kleppen vast, enz.	Breng de maaier naar de Honda-dealer of raadpleeg werkplaats- handboek.

OVERMATIGE TRILLING

Mogelijke oorzaak	Oplossing
Gras en tuinafval onder het maaidek	Reinig het maaidek (bladzijde 11).
Mes(stel) los, verbogen, beschadigd, of uit evenwicht na slijpen	Draai losse mesbout(en) vast. Vervang beschadigd mes(stel) (bladzijde 14).
Mechanische schade, bijv. verbogen krukas	Breng de maaier naar de Honda-dealer of raadpleeg werkplaats- handboek.

MAAI- EN VERZAMELPROBLEMEN

Mogelijke oorzaak	Oplossing
Machinesnelheid te laag om goed te kunnen maaien.	Zet gashendel op snel (bladzijde 5).
Maaier gaat te snel voor de conditie van het gazon.	Schakel naar lagere versnelling (bladzijde 5).
Maaihoogtehendels staan niet in dezelfde positie.	Stel alle hendels in op dezelfde maaihoogte (bladzijde 5).
Grasvangzak te vol of verstopt.	Leeg graszak. Reinig graszak als deze vuil is (bladzijde 15).
Maaidek verstopt	Reinig het maaidek (bladzijde 11).
Mes(stel) bot, versleten of beschadigd.	Slijp of vervang mes(stel) (bladzijde 14).
Verkeerd mes(stel) gemonteerd	Monteer het juiste mes(stel).

ONDERDELEN

Item	Onderdeelnummers
Luchtfilter	17211-Z8B-901
Bougie	98079-55846
Snijbladen	72531-VH7-000 (bovenste) 72511-VH7-000 (onderste)
Bladbout (2)	90105-960-710
Bout ringetjes (2)	90502-VG3-000

SPECIFICATES

MODEL	HRX537C5
TYPES	VYE
OMSCHRIJVINGSCODE	MAMA

ALGEMEEN

Lengte	1.610 mm
Hoogte Stuurboom	1.073 mm
Gewicht (ISO5395)	43,5 kg
Spoorbreedte (voor/achter)	588 mm
Maaibreedte	530 mm
Instelbare maaihoogtes	19 mm, 32 mm, 46 mm, 62 mm, 75 mm, 88 mm, 101 mm
Inhoud grasvangzak	85 L
Geluidsdruk op oorhoogte (overeenkom stig de EN ISO 5395-1:2013)	85 dB(A)
Onzekerheid	1 dB(A)
Gemeten geluidsvermogensniveau (overeenkomstig de richtlijnen 2000/14/EC)	96 dB(A)
Onzekerheid	1 dB(A)
Gewaardborgd geluidsvermogensniveau (overeenkomstig de richtlijnen 2000/14/EC)	98 dB(A)
Trillingen doorgegeven (ov ereenkom stig de EN ISO 5395-1:2013)	5.4 m/s ²
Onzekerheid	2.1 m/s ²

MOTOR

Model	GCV200
Type	Viertakt, éencilinder, verticale schacht
Cilinderinhoud	201 cc
Boring x slag	66 x 59 mm
Koeling	Lucht
Smering	Dompel/spatsmering
Compressieverhouding	8,0:1
Bedrijfstoerental	2.850 ⁺⁰ ₋₁₀₀ min ⁻¹
Stationair toerental	1.700 ± 150 min ⁻¹
Ontsteking	Transistor
Bougie	NGK: BPR5ES
Elektrodenafstand	0,7 ~ 0,8 mm
Luchtfiler	Droogfiltratietype
Voorgeschreven brandstof	Octaangehalte 91 of hoger (liefst ongelood)
Inhoud benzinetank	0,91 L
Aanbevolen smeerolie	SAE 10W-30, API SJ of soortgelijke
Carterinhoud	0,40 L * Hoeveelheid bij te vullen: 0,35 ~ 0,40 L

* Werkelijke hoeveelheid kan verschillen wegens resterende olie in de motor. Gebruik altijd de peilstok om het werkelijke oliepeil te bevestigen (bladzijde 4).

OVERBRENGING

Type	Vloeistofoverbren-ging
Wiel aandrijving	V-snaar
Hoofdkoppeling	Vloeistofkoppeling
Voorwaartse snelheid	0 ~ 1,64 m/s
Aanbevolen vloeistof	10W-30

Honda Warranty Conditions

Thank you for purchasing your Honda lawn mower.

Honda warrants your new mower to be free of defects in materials or workmanship for a period of 2 years from the date of purchase (3 months for commercial use). This warranty is in addition to your statutory rights.

However, in the unlikely event that you encounter a problem with your mower, please contact your original retailer. Should your machine require repair under warranty, you will need to take it to an authorised Honda dealer with either the warranty card or your proof of purchase.

There are, of course, some Terms and Conditions that apply to the Honda warranty. Listed here are items that are not covered:

1. Any damage resulting from neglect of the periodic maintenance specified by Honda.
2. Any damage resulting from repair or maintenance performed by non-authorized Honda service points.
3. Any damage resulting from operating methods other than those indicated in the owner's manual of the product.
4. Any damage resulting from the use of non-genuine Honda parts, other than recommended lubricants and fluids, and accessories other than those approved by Honda.
5. Any damage or deterioration due to natural wear and tear (natural fading of painted or plated surfaces, sheet peeling and other natural deterioration).
6. Consumable parts: Honda does not warrant parts deterioration due to natural wear and tear. The parts listed below are not covered by warranty (unless they are needed as a part of another warranty repair):
 - Spark plug, fuel filter, air cleaner element, brake pad, clutch disc, tyre, wheel, wheel bearing, recoil starter rope, cable, belt, cutter blade.
 - Lubricant: oil and grease.
7. Cleaning, adjustment, and normal periodic maintenance work (carburetor cleaning, engine oil draining, blade sharpening, belt and cables adjustment).
8. Expenses incidental to the warranty claim, including:
 - Compensation for loss of time, commercial loss or rental costs for a substitute product.
 - Costs incurred for transportation to and from the dealership.
9. Any damage resulting from exposure of the product to soot and smoke, chemical agents, bird droppings, sea water, sea breeze, salt or other environmental phenomena.

Conditions D'application De La Garantie Honda

Nous vous remercions d'avoir acheté une tondeuse Honda.

Honda garantit votre nouvelle tondeuse contre les défauts et vices cachés pendant une période de 2 ans à compter de la date d'achat (3 mois pour utilisation professionnelle). Cette garantie vient s'ajouter aux droits et à la réglementation de protection des consommateurs, sans en enfreindre ni restreindre l'application. Cependant, si par malchance vous deviez rencontrer un problème avec votre tondeuse, nous vous recommandons de prendre contact avec le magasin où vous avez effectué votre achat. Si votre tondeuse nécessite une intervention sous garantie, vous devrez l'apporter chez un concessionnaire Honda agréé en vous munissant de votre carte de garantie ou d'une preuve d'achat.

Bien sûr, certaines conditions s'appliquent à la garantie Honda. Sont exclus de la garantie :

1. Tous dommages résultant du non respect des révisions périodiques spécifiées par Honda.
2. Tous dommages résultant de réparations ou d'opérations effectuées hors du Réseau de Réparateurs agréés par Honda.
3. Tous dommages résultant d'opérations autres que celles préconisées dans le manuel de l'utilisateur du matériel.
4. Tous dommages résultant de l'utilisation de pièces autres que des pièces d'origine Honda, des lubrifiants et fluides autres que ceux préconisés par Honda, et des accessoires autres que les accessoires approuvés par Honda.
5. Tous dommages ou détériorations résultant de l'écoulement du temps (décoloration naturelle des surfaces peintes ou chromées, écaillage des revêtements ou toute autre détérioration naturelle).
6. Remplacement de pièces d'usure. Honda ne garantit pas la détérioration des pièces due à une usure courante. Les pièces ci-dessous ne sont pas couvertes par la garantie, sauf si leur remplacement est indispensable à la réparation globale sous garantie:
 - Pièces : bougie, filtre à carburant, élément de filtre à air, plaquette de frein, disque d'embrayage, pneu, roue, roulements de roues, corde de démarreur manuel, câble, courroie, lame.
 - Liquides : huile, graisse.
7. Les opérations de nettoyage, réglages et toutes autres opérations de maintenance périodique (nettoyage du carburateur, vidange de l'huile moteur, affûtage des lames, réglages des câbles et courroies).
8. Les frais annexes engendrés par la réclamation sous garantie, incluant :
 - Compensation pour perte de temps, perte commerciale ou coût d'une location d'un matériel de substitution.
 - Coûts du transport aller et retour du matériel chez le concessionnaire.

Tous dommages causés par une exposition du matériel à la suie, la fumée, aux produits chimiques, aux déjections d'oiseaux, à l'eau de mer, au vent marin, au sel ou à tout autre phénomène dû à l'environnement.

Condiciones De Garantía Honda

Felicidades por la compra de su cortacésped Honda.

Honda le garantiza cualquier defecto de material y la mano de obra por un periodo de 2 años a partir de la fecha de compra (3 meses para uso profesional). Esta garantía no afecta sus derechos establecidos por ley, sino que se añade a ellos.

De todas maneras, en caso de surgir cualquier problema y precisara reparar Su cortacésped en garantía, por favor diríjase al distribuidor a través del cual lo adquirió. Él mismo le aconsejará acerca de cómo proceder y le informará de las condiciones de garantía Honda. Tenga presente que para cualquier reparación en garantía debe llevar su cortacésped a un taller autorizado con el correspondiente carnet de garantía o un justificante de compra.

La garantía no cubrirá las siguientes reclamaciones :

1. Cualquier daño ocasionado por la falta de mantenimiento especificado por Honda.
2. Cualquier daño resultante de una reparación o mantenimiento que no haya sido llevado a cabo por un Servicio Honda autorizado.
3. Cualquier daño ocasionado por un manejo inadecuado y no especificado en el manual de usuario.
4. Cualquier daño ocasionado por el uso de recambio no original, carburantes, aceites y accesorios distintos a los recomendados por Honda.
5. Cualquier daño o deterioro debido al paso del tiempo (decoloración de la pintura, chapa o cualquier otro deterioro natural).
6. Piezas sujetas a desgaste por el uso: Honda no garantiza las piezas deterioradas por el uso. Las piezas aquí detalladas no están cubiertas por la garantía a menos que sean necesarias como piezas en una reparación en garantía :
 - Piezas : bujía, filtro gasolina, filtro aire, ferodos de freno, disco de embrague, neumáticos, rueda, cojinetes de ruedas, cuerda de arranque, cables, correa, cuchilla.
 - Fluidos: Aceite, grasa.
7. Limpieza, ajustes y otras tareas de mantenimiento periódico (limpieza del carburador, cambio de aceite, ajuste de cables y correas, afilar cuchillas).
8. Gastos fortuitos causados por la reparación en garantía, incluidos:
 - Gastos ocasionados por la inmovilización de la máquina.
 - Costes debidos al transporte de la máquina.
9. Cualquier daño resultante de la exposición de la máquina a humo, hollín, productos químicos, brisa marina, agua de mar, sal o cualquier fenómeno ambiental.

Honda-Garantiebedingungen

1. Honda Motor garandeert dem Endabnehmer eines von ihr importierten, fabrikneuen Honda-Motorgerätes der Produktbereiche "Garten", "Profil" und "Marine" eine dem jeweiligen Stand der Technik entsprechende Fehlerfreiheit in Werkstoff und Werkarbeit. Demgemäß wird Honda den Endabnehmer von den Kosten der Beseitigung eines Werkstoff- oder Werkarbeitsfehlers durch einen Honda- Vertragshändler oder eine zur Erbringung von Honda- Garantieleistungen autorisierte Werkstatt freihalten (Garantieanspruch). Diese Freihalteverpflichtung gilt nicht für alle durch einen Garantiefall veranlassten Nebenkosten und sonstigen finanziellen Nachteile (wie zum Beispiel Kosten für Abschleppen, Telekommunikation, Verpflegung, Unterkunft, Leihwagen, öffentliche Verkehrsmittel etc. oder finanzielle Nachteile durch Zeitverlust und dergleichen).
2. Die Garantie endet mit Ablauf von 24 Monaten ab dem Tag der Übergabe an den Endabnehmer, ausgenommen der Honda-Motorgeräte, welche auch nur vorübergehend für behördliche oder gewerbliche Zwecke genutzt werden. In diesen Fällen endet die Garantie mit Ablauf von 12 Monaten und für Motorgeräte mit Motoren der Klassifizierung „GC und GCV“ mit Ablauf von 3 Monaten ab dem Tag der Übergabe an den Endabnehmer. Fehler, die mit Ablauf dieser Fristen nicht bei einem Honda Vertragshändler oder einer zur Erbringung von Honda- Garantieleistungen autorisierten Werkstatt angemeldet worden sind, begründen keinen Garantieanspruch. Der jeweilige Garantieanspruch verjährt mit Ablauf von 6 Monaten nach der Entdeckung des Fehlers.
3. Von der Garantie ausgeschlossen sind Filterelemente, Glasscheiben, Glühlampen, Zündkerzen, Reifen, Reibbeläge und sonstige Verschleißteile sowie jegliches nicht zur Serienausstattung gehörende Zubehör.
4. Ob fehlerhafte Teile instandgesetzt oder ausgetauscht werden, entscheidet Honda. Ausgetauschte Teile gehen entschädigungslos in das Eigentum von Honda über. Der mit der Fehlerbeseitigung beauftragte Honda-Vertragshändler bzw. die entsprechende Werkstatt haben keine Vollmacht, im Namen von Honda rechtsverbindliche Erklärungen abzugeben.
5. Honda ist berechtigt, die Erfüllung von Garantieansprüchen zu verweigern, wenn und soweit
 - a. der von dem Endabnehmer mit der Fehlerbeseitigung beauftragte Honda- Vertragshändler bzw. die entsprechende Werkstatt keinen ordnungsgemäß ausgefüllten Garantieantrag eingereicht haben,
 - b. vorschriftswidrige Behandlung, insbesondere Überbeanspruchung des Kaufgegenstandes durch den Endabnehmer dazu geführt haben, daß aus einem Werkstoff oder Werksarbeitsfehler ein Schaden am Kaufgegenstand entstanden ist,
 - c. der Endabnehmer auch nur eine der in der Bedienungsanleitung vorgeschriebenen Inspektionen nicht oder zu spät hat vornehmen lassen, und zwar auch dann, wenn der Fehler schon vor dem vorgeschriebenen Zeitpunkt der versäumten oder verspäteten Inspektion aufgetreten ist,
 - d. der Endabnehmer eine in der Bedienungsanleitung vorgeschriebene Inspektion oder Reparatur von einer Werkstatt hat vornehmen lassen, die nicht von einem Honda-Vertragshändler betrieben wird bzw. weder von Honda noch im Rahmen des europäischen Honda-Vertriebsnetzes zur Durchführung derartiger Arbeiten autorisiert worden ist,
 - e. der Endabnehmer wichtige Hinweise in der Bedienungsanleitung und insbesondere Sicherheitshinweise nicht beachtet hat,
 - f. der Kaufgegenstand in irgendeiner Weise umgebaut, modifiziert oder mit Teilen oder Zubehörartikeln ausgerüstet worden ist, die nicht zu der von Honda ausdrücklich zugelassenen oder empfohlenen Ausstattung gehören, oder bei der Wartung oder Reparatur des Kaufgegenstandes andere als Original-Ersatzteile verwendet worden sind,
 - g. der Kaufgegenstand bei Motorsport-Veranstaltungen eingesetzt worden ist, es sei denn, daß der Endabnehmer in den Fällen c) bis g) beweist, daß der zur Ablehnung des Garantieanspruches berechtigende Tatbestand die Entwicklung des Fehlers nicht begünstigt hat.
6. Neben den Ansprüchen aus dieser Garantie hat der Endabnehmer gesetzliche Gewährleistungsansprüche aus seinem Kaufvertrag mit dem jeweiligen Händler, welche durch diese Garantie nicht eingeschränkt werden.

Condizioni Di Garanzia Honda

Congratulazioni per aver acquistato un rasaerba Honda.

Honda garantisce il Suo nuovo rasaerba immune da difetti di materiale e di costruzione per un periodo di 2 anni dalla data d'acquisto (3 mesi per uso professionale). Questa garanzia non interferisce con i Suoi diritti di legge ed è in aggiunta ad essi.

Comunque, nel caso ci sia un problema con il Suo rasaerba, La preghiamo di contattare il rivenditore. Qualora il rasaerba avesse bisogno di un intervento in regime di garanzia, sarà necessario portarlo presso un centro assistenza autorizzato Honda accompagnato dal certificato di garanzia o da una prova d'acquisto.

Naturalmente, ci sono alcune Condizioni e Limitazioni nell'applicazione della garanzia di Honda. I seguenti punti non sono coperti dalla garanzia Honda.

1. Per ogni danno risultante da negligenza nella manutenzione periodica specificata da Honda.
2. Per ogni danno risultante da riparazioni o manutenzioni effettuate da centri assistenza non autorizzati Honda.
3. Per ogni danno risultante da metodi d'utilizzo diversi da quelli indicati nel libretto d'uso e manutenzione del prodotto.
4. Per ogni danno risultante da uso di ricambi non originali, carburanti, lubrificanti e accessori diversi da quelli approvati da Honda.
5. Per ogni danno causato dal tempo (sbiadimento naturale delle superfici verniciate, cromate, adesivi distaccati ed altre deteriorazioni naturali).
6. Materiali di consumo: La Honda non riconosce in garanzia parti deteriorate da naturale consumo e usura. Le seguenti parti non sono coperte da garanzia (salvo che non siano necessarie come parte di un intervento di garanzia):
 - Parti: Candela, filtro benzina, elemento filtro aria, pastiglie freno, disco frizione, gomme, ruote, cuscinetti ruota, fune d'avviamento, cavi, cinghia, lama.
 - Lubrificanti: olio e grasso.
7. Pulizia del prodotto, regolazioni e altri lavori di manutenzione periodica (pulizia carburatore, sostituzione olio motore, affilatura lama, regolazione cinghia e cavi).
8. Spese accessorie per l'intervento in garanzia, comprese:
 - Risarcimenti per mancato utilizzo, perdite economiche o costi di noleggio per prodotti sostitutivi.
 - Spese di trasporto da e per il centro assistenza.
9. Per ogni danno causato da esposizione del prodotto a fuliggine e fumo, agenti chimici, deiezioni di volatili, acqua di mare, salsedine, sale o altri fenomeni ambientali.

Honda Garantie Voorwaarden

Wij willen u bedanken voor het kopen van een Honda gazonmaaier.

Honda verleent 2 jaar garantie op uw nieuwe Honda gazonmaaier, gerekend vanaf de aankoopdatum (3 maanden bij professioneel gebruik). Deze garantie dekt de kostbezweerde reparatie van alle voorkomende materiaal- en constructiefouten welke in deze periode aan het licht komen. Deze garantie is een toevoeging op de wettelijke rechten welke u als consument heeft.

Neem, indien zich met uw maaier een probleem voordoet, contact op met het bedrijf waar u de maaier heeft gekocht. Hier kan men u adviseren betreffende de Honda garantievoorwaarden en hoe verder te handelen. Breng voor reparatie onder garantie uw maaier naar een officiële Honda gazonmaaierdealer samen met de garantie kaart en het aankoopbewijs.

Er zijn een aantal voorwaarden: Het volgende wordt in ieder geval niet gedekt door de Honda garantie.

1. Enige schade als gevolg van het niet uitvoeren van onderhoud zoals voorgeschreven volgens het onderhoudsschema.
2. Enige schade als gevolg van een reparatie of onderhoud door een niet als Honda dealer aangesteld bedrijf.
3. Enige schade als het gevolg van onoordeelkundig gebruik of gebruik anders als dan aangegeven in de gebruikers handleiding.
4. Enige schade als gevolg van het gebruik van niet originele onderdelen, het gebruik van niet aanbevolen vloeistoffen of smeermiddelen en niet door Honda goedgekeurde accessoires.
5. Enige schade of achteruitgang als gevolg van de natuurlijke veroudering (verkleuring, verdroging enz).
6. Normale consumptie onderdelen: Honda Geeft geen garantie op normale slijtage. Onderstaande onderdelen worden niet gedekt door de garantie, tenzij ze deel uitmaken van een reparatie onder garantie.
 - Onderdelen: Bougie, brandstoffilter, luchtfilter, remblokken, koppelingsplaten, banden, wielen, wiellagers, startkoord, kabels, snaren.
 - Vloeistoffen: Olie, vet.
7. Reinigen, inspectie, afstellen en ander periodiek onderhoud (karburateur schoonmaken, olie verversen, messen slijpen, afstellen van kabels en V-snaren).
8. Niet door de garantie gedekte kosten, zoals:
 - Compensatie voor verloren tijd, commerciële verliezen of huur voor vervangende apparaten.
 - Vervoerskosten van en naar de dealerwerkplaats.Enige schade als gevolg van blootstelling aan roet of rook, chemische stoffen vogelpoep, zeewater of lucht, zout of enig ander natuurlijk verschijnsel.

<p>Português (Portuguese) Declaração CE de Conformidade</p> <p>1. O abaixo assinado, Peter Neckebroek, declara desta modo, em nome do mandatório, que a máquina abaixo descrita cumpre todas as especificações relevantes das:</p> <ul style="list-style-type: none"> * Directiva 2006/42/CE relativa às máquinas * Directiva 2014/30/UE relativa à compatibilidade electromagnética <p>Directiva 2000/14/CE - 2005/88/CE relativa às máquinas e Directiva 2014/30/UE relativa à compatibilidade electromagnética para utilização no exterior</p> <p>2. Descrição da máquina</p> <p>a) Produto : Corta relva b) Função : corte de relva c) Modelo d) Tipo</p> <p>e) Número de série f) Fabricante</p> <p>3. Fabricante com capacidade para compilar documentação técnica</p> <p>4. Mandatório com capacidade para compilar documentação técnica</p> <p>5. Outras normas ou especificações</p> <p>6. Outras normas ou especificações</p> <p>7. Directiva relativa às emissões sonoras para o exterior</p> <p>8. Directiva relativa aos equipamentos para utilização no exterior</p> <p>a) Potência sonora medida b) Potência sonora garantida</p> <p>c) Parâmetro de ruído</p> <p>d) Procedimento de avaliação da conformidade</p> <p>e) Organismo notificado</p> <p>8. Data</p> <p>9. Fato an.</p>	<p>Polski (Polish) Deklaracja zgodności WE</p> <p>1. Nizaj podpisany, Peter Neckebroek, w imieniu upoważnionego przedstawiciela, niniejszym oświadczam, że urządzenie opisane poniżej spełnia wszystkie odpowiednie postanowienia:</p> <ul style="list-style-type: none"> * Dyrektywa Maszynowa 2006/42/WE * Dyrektywa Kompatybilności Elektromagnetycznej 2014/30/UE <p>2. Opis urządzenia</p> <p>a) Produkt : Kosarka b) Funkcja : ścinanie trawy c) Model d) Typ</p> <p>e) Numer seryjny f) Typ</p> <p>3. Producent</p> <p>4. Upoważniony Przedstawiciel oraz osoba odpowiedzialna do przygotowania dokumentacji technicznej</p> <p>5. Zasady powołania normy zharmonizowanej</p> <p>6. Inne normy lub specyfikacje</p> <p>7. Dyrektywa Hałasowa</p> <p>a) Zmierzone poziomy mocy akustycznej</p> <p>b) Gwarantowany poziom mocy akustycznej</p> <p>c) Wartość hałasu</p> <p>d) Procedura oceny zgodności</p> <p>e) Jednostka notyfikowana</p> <p>9. Data</p> <p>8. Miejsce</p>	<p>Suomi / Suomen kieli (Finnish) EUVAATILAILMENNUSKÄSIKÄSIKÄYTTÖSUUNNITTELU</p> <p>1. Allekirjoittanut, Peter Neckebroek, valtuutetun valmistajan edustajana, vakuuttaa täten että alla mainittu kone/laite täyttää kaikki seuraavaa määritys:</p> <ul style="list-style-type: none"> * Koneidirektiivi 2006/42/EY * Elektromagneettisäädennäkösuunnitelman direktiivi 2014/30/EY <p>2. Laitteen kuvaus</p> <p>a) Tuote: Ruohonleikkuri b) Toiminto: ruohon leikkäus c) Malli d) Tyyppi</p> <p>e) SARJANUMERO f) Sarjanumero</p> <p>3. Valmistaja</p> <p>4. Valmistajan edustaja ja galintais suora yhteistyönä dokumentaatio</p> <p>5. Kuvattu tekninen standardi</p> <p>6. Muut normit tai erikoisspesifikaatiot</p> <p>7. Triiksuu laite direktiivi</p> <p>a) Määrätyt garsu galingumo lygis</p> <p>b) Garantuojat garsu galingumo lygis</p> <p>c) Triiksuu mo parametras</p> <p>d) Triiksuu mo parametras</p> <p>e) Registratuota ääritäga</p> <p>9. Data</p> <p>8. Viela</p>	<p>Lietauvi kalba (Lithuanian) EB atitikslės deklaracija</p> <p>1. Įpareigojau šioje vardu pasirašęs Peter Neckebroek patvirtina, kad žemiau aprašyta mašina atitinka visas išvardintų direktyvų nuostatas:</p> <ul style="list-style-type: none"> * Mechanizmų direktyva 2006/42/EB * Elektromagnetinio suderėjimo direktyva 2014/30/ES <p>2. Aprašymas apie prietaisą</p> <p>a) Gamtinys: aršaršmas b) Funkcija: žolės plovimas c) Modelis d) Tipas</p> <p>e) Serijos numeris f) Serienumer</p> <p>3. Gamintojas</p> <p>4. Įpareigojatis atstovaitis ir galintis sudaryti techninę dokumentaciją</p> <p>5. Kuvutuotais techniniais standartais</p> <p>6. Kitos normos ar specifikacijos</p> <p>7. Triukšmo laike direktiiva</p> <p>a) Išmatuojamas garsu galingumo lygis</p> <p>b) Garantuojamas garsu galingumo lygis</p> <p>c) Triukšmo mo parametras</p> <p>d) Registratuota žolėitaga</p> <p>9. Data</p> <p>8. Miesto, na izgotavene</p>	<p>Български (Bulgarian) ЕО съответствие</p> <p>1. Допълнителен Peter Neckebroek от името на упълномощения представител, с настоящото декларирам, че машините, описани по-долу, отговарят на всички съответни разпоредби на:</p> <ul style="list-style-type: none"> * Директива 2006/42/ЕО относно машините * Директива 2014/30/ЕО относно електромагнетната съвместимост <p>2. Описание на съоръжението</p> <p>a) Назначение: косене на трева b) Функция: косене на трева c) Модел d) Тип</p> <p>e) Серийен номер f) Серийен номер</p> <p>3. Производител</p> <p>4. Упълномощения представител и отговорник за издаване на техническа документация</p> <p>5. Други норми или спецификации</p> <p>6. Други стандарти или спецификации</p> <p>7. Директива относно шумовите емисии на съоръжението, предначинани за употреба извън сградите</p> <p>a) Измерена звукова мощност b) Гарантирана звукова мощност</p> <p>c) Параметърът шум d) Процедура за оценка на съответствието</p> <p>e) Нотифицирана организация</p> <p>9. Дата на изготвяне</p>	<p>Магвар (Hungarian) EK-megfelelősi nyilatkozata</p> <p>1. Alulírott Peter Neckebroek, a gyártó cég törvényes képviselőjeként nyilatkozom, hogy az alulírott gyártott gép megfelel az összes, alább felsorolt direktívának:</p> <ul style="list-style-type: none"> * 2006/42/EK Direktívának berendezésekre vonatkozó részéről * 2000/14/EK - 2005/88/EK Direktívának kiegészítő részéről <p>2. A gép leírása</p> <p>a) Termék : Fűnyíró b) Funkció : fű levágása c) Modell d) Típus</p> <p>e) Sorozatszám f) Gyártó</p> <p>3. Gyártó</p> <p>4. Feljogosított képviselője és képes igazolni a termék megfelelőségét</p> <p>5. Hivatkozott szabványok</p> <p>6. Más előírások, megfigyelések</p> <p>7. Kultúr lapzáró Direktiva</p> <p>a) Mért hangerő</p> <p>b) Szavatolt hangerő</p> <p>c) Zajszint paraméter</p> <p>d) Megfigyelési becselt érték</p> <p>e) Kijelölt szerviz</p> <p>f) Kijelölt helyje</p> <p>9. Keltetés helye</p>	<p>Polish (Czech) ES – Prohlášení o shodě</p> <p>1. Podpisávám Peter Neckebroek, jako autorizovaný osoba zde potvrzuje, že stroj popsaný níže splňuje požadavky příslušných opatření:</p> <ul style="list-style-type: none"> * Směrnice 2006/42/ES pro stroji zařízení * Směrnice 2014/30/ES stanovující technické elektroneapetické kompatibilit <p>2. Směrnice 2000/14/ES - 2005/88/ES stanovující technické požadavky na výrobky z hlediska emise hluku zařízení pro venkovní použití</p> <p>2. Popis zařízení</p> <p>a) Výrobek : Sekačka na trávu b) Funkce : Sekání trávy c) Model d) Typ</p> <p>e) Seriální číslo f) Typ</p> <p>3. Výrobce</p> <p>4. Způsobem zastupuje osoba pověřená komplecti technické dokumentace</p> <p>5. Odkazy na harmonizované normy</p> <p>6. Ostatní použité normy a specifikace</p> <p>7. Směrnice pro hluk pro venkovní použití</p> <p>a) Náměřené akustický výkon</p> <p>b) Garantovaný akustický výkon</p> <p>c) Parametr hluku</p> <p>d) Postup hodnocení shody</p> <p>e) Notifikovaná osoba</p> <p>9. Datum</p>	<p>Latvian EK atbilstības deklarācija</p> <p>1. Peter Neckebroek ar savu parakstu zem šī dokumenta, autorizētā pārstāvja vārdā, paziņo, ka zemāk aprakstītais mašīna, atbilst visām zemāk norādīto direktīvu prasībām:</p> <ul style="list-style-type: none"> * Direktīva 2006/42/EK par mašīnām * Direktīva 2014/30/ES attiecībā uz elektromagnētiskās kompatibilitātes prasībām <p>2. Apraksts par ierīci</p> <p>* Apk Aizdevi Kullianian, Tehnizai Taralindian</p> <p>3. Oļskuzi vai velbuoai</p> <p>4. Oļskuzi: Slātsuveli</p> <p>5. Vērtini : Gras siegti</p> <p>6. Gērd</p> <p>7. Išvērtini keshimesi</p> <p>8. Seriālnumbers</p> <p>9. Seriālnumbers</p> <p>10. Iļģotitūri atbilar and fær um ad laika saman</p> <p>11. Tūruoizis</p> <p>12. Atbilstošy hāzrdamēkai veiklii olan</p> <p>13. Topulūka ierēski veiklii iemāci</p> <p>14. Dāzrdamēngar un hāvādamēngar</p> <p>15. Dāzrdamēngar veyā spēsifikāsyoniar</p> <p>16. Apk alan gūrtūtu Yohnetmēigi</p> <p>17. Oļskuzi alan gūci</p> <p>18. Garanti edlles ses gūci</p> <p>19. Gūrtūtu parametres</p> <p>20. Gūrtūtu deģerēndimēis prosedūri</p> <p>21. Notifikētais kundūis</p> <p>9. Bēyannū tārhi :</p>	<p>Slovensčina (Slovenian) ES izjava o skladnosti</p> <p>1. Spodaj podpisani, Peter Neckebroek, ki je pooblaščen oseba in v imenu proizvajalca izjavlja, da spodaj opisana stroj ustreza vsem navedenim direktivam:</p> <ul style="list-style-type: none"> * Direktiva 2006/42/ES o strojih * Direktiva 2014/30/UE o elektromagnetni združljivosti <p>2. Opis naprave</p> <p>a) Proizvod : Vrtna kosilnica b) Funkcija : košenje trave c) Model d) Tip</p> <p>e) Serijska številka f) Serijski številka</p> <p>3. Proizvajalec</p> <p>4. Pooblaščen predstavnik, ki lahko predloži tehnično dokumentacijo</p> <p>5. Upočistevni harmonizirani standardi</p> <p>6. Ostali standardi ali specifikacije</p> <p>7. Direktiva o hrupu</p> <p>a) Izmerjena zvočna moč</p> <p>b) Garantirana zvočna moč</p> <p>c) Parametri hrupa</p> <p>d) Postopek ocenitve skladnosti</p> <p>9. Datum</p> <p>8. Kraj</p>	<p>Türk (Turkish) AT Uygunluk Beyanı</p> <p>1. Asağıda imzasi bulunan Peter Neckebroek, makine ile ilgili tüm hükümlülüklerin yerine getirildiğini beyan etmektedir:</p> <ul style="list-style-type: none"> * Makina Emniyet Yönetmeliği 2006/42/AT * Elektromanyetik Uyumluluk Yönetmeliği 2014/30/UE <p>2. Ürünün tanıtım ve özellikleri</p> <ul style="list-style-type: none"> * Açık Akında Kullianian, Technizai Taralindian <p>3. Ürünün özellikleri</p> <p>a) Ürün : Çim biçme makinesi b) İşlevi : Çimlerin kesilmesi c) Seri No d) Tipi</p> <p>e) Seri Numarası f) Seri Numarası</p> <p>4. Yetkilili sorular ve fær um ad laika saman</p> <p>5. Teknik dokümanlar</p> <p>6. Abır, şadlar edā serātibai</p> <p>7. Teñbirāngar un hāvādamēngar</p> <p>8. Dāzrdamēngar veyā spēsifikāsyoniar</p> <p>9. Apk alan gūrtūtu Yohnetmēigi</p> <p>10. Oļskuzi alan gūci</p> <p>11. Garanti edlles ses gūci</p> <p>12. Gūrtūtu parametres</p> <p>13. Gūrtūtu deģerēndimēis prosedūri</p> <p>14. Notifikētais kundūis</p> <p>9. Bēyannū tārhi :</p>	<p>Български (Bulgarian) ЕО съответствие</p> <p>1. Допълнителен Peter Neckebroek от името на упълномощения представител, с настоящото декларирам, че машините, описани по-долу, отговарят на всички съответни разпоредби на:</p> <ul style="list-style-type: none"> * Директива 2006/42/ЕО относно машините * Директива 2014/30/ЕО относно електромагнетната съвместимост <p>2. Описание на съоръжението</p> <p>a) Назначение: косене на трева b) Функция: косене на трева c) Модел d) Тип</p> <p>e) Серийен номер f) Серийен номер</p> <p>3. Производител</p> <p>4. Упълномощения представител и отговорник за издаване на техническа документация</p> <p>5. Други норми или спецификации</p> <p>6. Други стандарти или спецификации</p> <p>7. Директива относно шумовите емисии на съоръжението, предначинани за употреба извън сградите</p> <p>a) Измерена звукова мощност b) Гарантирана звукова мощност</p> <p>c) Параметърът шум d) Процедура за оценка на съответствието</p> <p>e) Нотифицирана организация</p> <p>9. Дата на изготвяне</p>	<p>Магвар (Hungarian) EK-megfelelősi nyilatkozata</p> <p>1. Alulírott Peter Neckebroek, a gyártó cég törvényes képviselőjeként nyilatkozom, hogy az alulírott gyártott gép megfelel az összes, alább felsorolt direktívának:</p> <ul style="list-style-type: none"> * 2006/42/EK Direktívának berendezésekre vonatkozó részéről * 2000/14/EK - 2005/88/EK Direktívának kiegészítő részéről <p>2. A gép leírása</p> <p>a) Termék : Fűnyíró b) Funkció : fű levágása c) Modell d) Típus</p> <p>e) Sorozatszám f) Gyártó</p> <p>3. Gyártó</p> <p>4. Feljogosított képviselője és képes igazolni a termék megfelelőségét</p> <p>5. Hivatkozott szabványok</p> <p>6. Más előírások, megfigyelések</p> <p>7. Kultúr lapzáró Direktiva</p> <p>a) Mért hangerő</p> <p>b) Szavatolt hangerő</p> <p>c) Zajszint paraméter</p> <p>d) Megfigyelési becselt érték</p> <p>e) Kijelölt szerviz</p> <p>f) Kijelölt helyje</p> <p>9. Keltetés helye</p>	<p>Slovenčina (Slovak) ES vyhlásenie o zhode</p> <p>1. Doluopisávny, Peter Neckebroek, ako autorizovaný zástupca výroby, týmto vyhlasuje, že uvedeny strojevé je v zhode s nasledovnými smernicami:</p> <ul style="list-style-type: none"> * Smernica 2006/42/ES (Strojné zariedenie) * Smernica 2014/30/UE (Elektromagnetická kompatibilita) <p>2. Opis stroja</p> <p>a) Produkt : Kosacka na trávu b) Funkcia : Kosenie trávy c) Model d) Typ</p> <p>e) Vyrobné číslo f) Typ</p> <p>3. Vyrobný</p> <p>4. Autorizovaný zástupca schopný zostaviť technickú dokumentáciu</p> <p>5. Referencia k harmonizovaným štandardom</p> <p>6. Další štandardy alebo špecifikácie</p> <p>7. Smernica pre emisie hluku vo vonorn priestranstve</p> <p>a) Nameraná hladina akustického výkonu</p> <p>b) Zaručená hladina akustického výkonu</p> <p>c) Parametre hluku</p> <p>d) Postup hodnotenia zhody</p> <p>e) Notifikovaná osoba</p> <p>9. Datum</p> <p>8. Miesto</p>	<p>Esti (Estonian) EU vastavusdeklaratsioon</p> <p>1. Käesolevaga kinnitab allkirjijale, Peter Neckebroek, volitatud esindaja nimi, et allpool kirjeldatud masina vastab kõikidele alljärgnevale direktiivide sätetele:</p> <ul style="list-style-type: none"> * Elektromagnetilise ühilduvuse direktiiv 2014/30/EL * Valimisraja direktiiv 2000/14/UE - 2005/88/UE <p>2. Seadmete kirjeldus</p> <p>a) Toode : Muruniiduk b) Funktsioon : muru niitmine c) Mudel d) Tüüp</p> <p>e) Seerianumber f) Tüüp</p> <p>3. Tooja</p> <p>4. Autoriseeritud esindaja, kes on pidevalt tehnilist dokumentatsiooni</p> <p>5. Viide ühtlustatud standarditele</p> <p>6. Muud standardid ja spetsifikatsioonid</p> <p>7. Valimisraja direktiiv</p> <p>a) Mõeldud helivõimsuse tase</p> <p>b) Lubatud helivõimsuse tase</p> <p>c) Mura parameeter</p> <p>d) Vastavusmääramismenetlus</p> <p>e) Postitepik</p> <p>9. Kuupäev</p> <p>8. Koht</p>	<p>Slovensčina (Slovenian) ES izjava o skladnosti</p> <p>1. Kāesolevaga kinnitab allkirjijale, Peter Neckebroek, ki je pooblaščen oseba in v imenu proizvajalca izjavlja, da spodaj opisana stroj ustreza vsem navedenim direktivam:</p> <ul style="list-style-type: none"> * Direktiva 2006/42/ES o strojih * Direktiva 2014/30/UE o elektromagnetni združljivosti <p>2. Opis naprave</p> <p>a) Proizvod : Vrtna kosilnica b) Funkcija : košenje trave c) Model d) Tip</p> <p>e) Serijska številka f) Serijski številka</p> <p>3. Proizvajalec</p> <p>4. Pooblaščen predstavnik, ki lahko predloži tehnično dokumentacijo</p> <p>5. Upočistevni harmonizirani standardi</p> <p>6. Ostali standardi ali specifikacije</p> <p>7. Direktiva o hrupu</p> <p>a) Izmerjena zvočna moč</p> <p>b) Garantirana zvočna moč</p> <p>c) Parametri hrupa</p> <p>d) Postopek ocenitve skladnosti</p> <p>9. Datum</p> <p>8. Kraj</p>	<p>Türk (Turkish) AT Uygunluk Beyanı</p> <p>1. Asağıda imzasi bulunan Peter Neckebroek, makine ile ilgili tüm hükümlülüklerin yerine getirildiğini beyan etmektedir:</p> <ul style="list-style-type: none"> * Makina Emniyet Yönetmeliği 2006/42/AT * Elektromanyetik Uyumluluk Yönetmeliği 2014/30/UE <p>2. Ürünün tanıtım ve özellikleri</p> <ul style="list-style-type: none"> * Açık Akında Kullianian, Technizai Taralindian <p>3. Ürünün özellikleri</p> <p>a) Ürün : Çim biçme makinesi b) İşlevi : Çimlerin kesilmesi c) Seri No d) Tipi</p> <p>e) Seri Numarası f) Seri Numarası</p> <p>4. Yetkilili sorular ve fær um ad laika saman</p> <p>5. Teknik dokümanlar</p> <p>6. Abır, şadlar edā serātibai</p> <p>7. Teñbirāngar un hāvādamēngar</p> <p>8. Dāzrdamēngar veyā spēsifikāsyoniar</p> <p>9. Apk alan gūrtūtu Yohnetmēigi</p> <p>10. Oļskuzi alan gūci</p> <p>11. Garanti edlles ses gūci</p> <p>12. Gūrtūtu parametres</p> <p>13. Gūrtūtu deģerēndimēis prosedūri</p> <p>14. Notifikētais kundūis</p> <p>9. Bēyannū tārhi :</p>	<p>Latvian EK atbilstības deklarācija</p> <p>1. Peter Neckebroek ar savu parakstu zem šī dokumenta, autorizētā pārstāvja vārdā, paziņo, ka zemāk aprakstītais mašīna, atbilst visām zemāk norādīto direktīvu prasībām:</p> <ul style="list-style-type: none"> * Direktīva 2006/42/EK par mašīnām * Direktīva 2014/30/ES attiecībā uz elektromagnētiskās kompatibilitātes prasībām <p>2. Apraksts par ierīci</p> <ul style="list-style-type: none"> * Apk Aizdevi Kullianian, Tehnizai Taralindian <p>3. Oļskuzi vai velbuoai</p> <p>4. Oļskuzi: Slātsuveli</p> <p>5. Vērtini : Gras siegti</p> <p>6. Gērd</p> <p>7. Išvērtini keshimesi</p> <p>8. Seriālnumbers</p> <p>9. Seriālnumbers</p> <p>10. Iļģotitūri atbilar and fær um ad laika saman</p> <p>11. Tūruoizis</p> <p>12. Atbilstošy hāzrdamēkai veiklii olan</p> <p>13. Topulūka ierēski veiklii iemāci</p> <p>14. Dāzrdamēngar un hāvādamēngar</p> <p>15. Dāzrdamēngar veyā spēsifikāsyoniar</p> <p>16. Apk alan gūrtūtu Yohnetmēigi</p> <p>17. Oļskuzi alan gūci</p> <p>18. Garanti edlles ses gūci</p> <p>19. Gūrtūtu parametres</p> <p>20. Gūrtūtu deģerēndimēis prosedūri</p> <p>21. Notifikētais kundūis</p> <p>9. Bēyannū tārhi :</p>	<p>Магвар (Hungarian) EK-megfelelősi nyilatkozata</p> <p>1. Alulírott Peter Neckebroek, a gyártó cég törvényes képviselőjeként nyilatkozom, hogy az alulírott gyártott gép megfelel az összes, alább felsorolt direktívának:</p> <ul style="list-style-type: none"> * 2006/42/EK Direktívának berendezésekre vonatkozó részéről * 2000/14/EK - 2005/88/EK Direktívának kiegészítő részéről <p>2. A gép leírása</p> <p>a) Termék : Fűnyíró b) Funkció : fű levágása c) Modell d) Típus</p> <p>e) Sorozatszám f) Gyártó</p> <p>3. Gyártó</p> <p>4. Feljogosított képviselője és képes igazolni a termék megfelelőségét</p> <p>5. Hivatkozott szabványok</p> <p>6. Más előírások, megfigyelések</p> <p>7. Kultúr lapzáró Direktiva</p> <p>a) Mért hangerő</p> <p>b) Szavatolt hangerő</p> <p>c) Zajszint paraméter</p> <p>d) Megfigyelési becselt érték</p> <p>e) Kijelölt szerviz</p> <p>f) Kijelölt helyje</p> <p>9. Keltetés helye</p>	<p>Магвар (Hungarian) EK-megfelelősi nyilatkozata</p> <p>1. Alulírott Peter Neckebroek, a gyártó cég törvényes képviselőjeként nyilatkozom, hogy az alulírott gyártott gép megfelel az összes, alább felsorolt direktívának:</p> <ul style="list-style-type: none"> * 2006/42/EK Direktívának berendezésekre vonatkozó részéről * 2000/14/EK - 2005/88/EK Direktívának kiegészítő részéről <p>2. A gép leírása</p> <p>a) Termék : Fűnyíró b) Funkció : fű levágása c) Modell d) Típus</p> <p>e) Sorozatszám f) Gyártó</p> <p>3. Gyártó</p> <p>4. Feljogosított képviselője és képes igazolni a termék megfelelőségét</p> <p>5. Hivatkozott szabványok</p> <p>6. Más előírások, megfigyelések</p> <p>7. Kultúr lapzáró Direktiva</p> <p>a) Mért hangerő</p> <p>b) Szavatolt hangerő</p> <p>c) Zajszint paraméter</p> <p>d) Megfigyelési becselt érték</p> <p>e) Kijelölt szerviz</p> <p>f) Kijelölt helyje</p> <p>9. Keltetés helye</p>
---	---	---	---	---	---	---	--	---	--	---	---	---	---	--	--	---	---	---

Major Honda distributor addresses - Elenco dei maggiori distributori Honda in Europa
Adresses des principaux concessionnaires Honda - Adressen van Honda-importeurs
Adressen der wichtigsten Honda-Haupthändler - Direcciones de los principales concesionarios Honda

<p>AUSTRIA Honda Motor Europe Ltd Hondastraße 1 2351 Wiener Neudorf Tel.: +43 (0)2236 690 0 Fax: +43 (0)2236 690 480 http://www.honda.at HondaPP@honda.co.at</p>	<p>DENMARK TIMA A/S Ryttermarken 10 DK-3520 Farum Tel.: +45 36 34 25 50 Fax: +45 36 77 16 30 http://www.tima.dk</p>	<p>MACEDONIA Makpetrol A.D. HondaCentar Bul.sv Kiril & Metodij br. 4 1000, Skopje Republic of Macedonia aleksandar.stanojlovic@makpetrol.com.mk</p>	<p>SLOVAK REPUBLIC Honda Motor Europe Ltd Slovensko, organizačná zložka Prievozska 6 821 09 Bratislava Tel.: +421 2 32131111 Fax: +421 2 32131112 http://www.honda.sk</p>
<p>BALTIC STATES (Estonia/Latvia/ Lithuania) NCG Import Baltics OU Meistri 12 Haabersti District 13517 Tallinn Harju County Estonia Tel.: +372 651 7300 Fax: +372 651 7301 info.baltic@ncgimport.com</p>	<p>FINLAND OY Brandt AB. Tuupakantie 7B 01740 Vantaa Tel.: +358 207757200 Fax: +358 9 878 5276 http://www.brandt.fi</p>	<p>MALTA The Associated Motors Company Ltd. New Street in San Gwakklin Road Mriehel Bypass, Mriehel QRM17 Tel.: +356 21 498 561 Fax: +356 21 480 150 mgalea@gasanzammit.com</p>	<p>SLOVENIA AS Domzale Moto Center D.O.O. Blatnica 3A 1236 Trzin Tel.: +386 1 562 3700 Fax: +386 1 562 3705 http://www.honda-as.com infomacije@honda-as.com</p>
<p>BELARUS UAB JP Motors Montazhnikov lane 4th, 5-16 Minsk 220019 Republic of Belarus Tel.: +375172349999 Fax: +375172380404 Dudarevich@scanlink.by</p>	<p>FRANCE Honda Motor Europe Ltd Division Produit d'Equipement Parc d'activités de Pariest, Allée du 1er mai Croissy Beaubourg BP46, 77312 Marne La Vallée Cedex 2 Tel.: 01 60 37 30 00 Fax: 01 60 37 30 86 http://www.honda.fr espace-client@honda-eu.com</p>	<p>NORWAY Berema AS P.O. Box 454 1401 Ski Tel.: +47 64 86 05 00 Fax: +47 64 86 05 49 http://www.berema.no berema@berema.no</p>	<p>SPAIN & all Provinces Greens Power Products, S.L. Poligono Industrial Congost – Av Ramon Ciurans n°2 08530 La Garriga - Barcelona Tel.: +34 93 860 50 25 Fax: +34 93 871 81 80 http://www.hondaencasa.com</p>
<p>BELGIUM Honda Motor Europe Ltd Doornveld 180-184 1731 Zellik Tel.: +32 2620 10 00 Fax: +32 2620 10 01 http://www.honda.be BH_PE@HONDA-EU.COM</p>	<p>GERMANY Honda Deutschland Niederlassung der Honda Motor Europe Ltd. Hanauer Landstraße 222-224 D-60314 Frankfurt Tel.: 01805 20 20 90 Fax: +49 (0)69 83 20 20 http://www.honda.de info@post.honda.de</p>	<p>NORWAY KELLOX Box 24, N-141 Trollåsveien 36, 1414 Trollåsen, Norway Mobile: +47 47 80 90 00 Phone: +47 64 97 61 00 http://kellox.no/ finn.hoge@kellox.no</p>	<p>SWEDEN Honda Motor Europe Ltd filial Sverige Box 31002 - Långhusgatan 4 215 86 Malmö Tel.: +46 (0)40 600 23 00 Fax: +46 (0)40 600 23 19 http://www.honda.se hpesinfo@honda-eu.com</p>
<p>BULGARIA Premium Motor Ltd Andrey Lyapchev Blvd no 34 1797 Sofia Bulgaria Tel.: +3592 423 5879 Fax: +3592 423 5879 http://www.hondamotor.bg office@hondamotor.bg</p>	<p>GREECE Saracakis Brothers S.A. 71 Leoforos Athinon 10173 Athens Tel.: +30 210 3497809 Fax: +30 210 3467329 http://www.honda.gr info@saracakis.gr</p>	<p>POLAND Aries Power Equipment Puławska 467 02-844 Warszawa Tel.: +48 (22) 861 43 01 Fax: +48 (22) 861 43 02 http://www.ariespower.pl http://www.mojahonda.pl info@ariespower.pl</p>	<p>SWITZERLAND Honda Motor Europe Ltd., Slough Succursale de Satigny/Genève Rue de la Bergère 5 1242 Satigny Tel.: +41 (0)22 989 05 00 Fax: +41 (0)22 989 06 60 http://www.honda.ch</p>
<p>CROATIA Hongoldonia d.o.o. Vukovarska ulica 432a 31000 Osijek, HR Tel.: +38531320420 Fax: +38531320429 http://www.hongoldonia.hr prodaja@hongoldonia.hr</p>	<p>HUNGARY MP Motor Co., Ltd. Kamaraerdei ut 3. 2040 Budaors Tel.: +36 23 444 971 Fax: +36 23 444 972 http://www.hondakisgepek.hu info@hondakisgepek.hu</p>	<p>PORTUGAL GROW Produtos de Forca Portugal Rua Fontes Pereira de Melo, 16 Abrunheira, 2714-506 Sintra Tel.: +351 211 303 000 Fax: +351 211 303 003 http://www.grow.com.pt geral@grow.com.pt</p>	<p>TURKEY Anadolu Motor Uretim Ve Pazarlama As Sekerpinar Mah Albayrak Sok No 4 Cayirova 41420 Kocaeli Tel.: +90 262 999 23 00 Fax: +90 262 658 94 17 http://www.anadolumotor.com.tr antor@antor.com.tr</p>
<p>CROATIA Fred Bobek d.o.o. HONDA MARINE Put Gačelega 5b HR 22211 Vodice Tel. 00385 22 444336 Fax. 00385 22 440500 centrala@honda-croatia.com</p>	<p>IRELAND Two Wheels ltd M50 Business Park, Ballymount Dublin 12 Tel.: +353 1 4381900 Fax: +353 1 4607851 http://www.hondaireland.ie sales@hondaireland.ie</p>	<p>ROMANIA Hit Power Motor Srl 7-15 Argonomici Boluevard Building N3.2 Entrance A Apt 8, Floor 2 Sector 1 015141 Bucharest Tel.: +40 21 637 04 58 Fax: +40 21 637 04 78 http://www.honda.ro/ http://honda-eu.ro office@honda.ro</p>	<p>UKRAINE Dnipro Motor LLC 3, Bondarsky Alley, Kyiv, 04073, Ukraine Tel.: +380 44 537 25 76 Fax: +380 44 501 54 27 igor.lobunets@honda.ua</p>
<p>CYPRUS Demstar Automotive Ltd Mihail Giorgalla 14 2409 Engomi Nicosia Cyprus Tel.: +357 22 792 600 Fax: +357 22 430 313</p>	<p>ISRAEL Mayer's Cars and Trucks Co.Ltd. - Honda Division Shevach 5, Tel Aviv , 6777936 Israel +972-3-6953162 OrenBe@mct.co.il</p>	<p>ROMANIA Agrisorg Sacadat 444/A Bihor Romania 417430 http://www.agrisorg.com adrian@agrisorg.com</p>	<p>UNITED KINGDOM Honda Motor Europe Ltd Cain Road Bracknell Berkshire RG12 1 HL Tel.: +44 (0)845 200 8000 http://www.honda.co.uk</p>
<p>CZECH REPUBLIC BG Technik cs, a.s. U Zavodiste 251/8 15900 Prague 5 - Velka Chuchle Tel.: +420 2 838 70 850 Fax: +420 2 667 111 45 http://www.honda-stroje.cz</p>	<p>ITALY Honda Motore Europe Ltd Via della Cecchignola, 13 00143 Roma Tel.: +848 846 632 Fax: +39 065 4928 400 http://www.hondaitalia.com info.power@honda-eu.com</p>	<p>SERBIA & MONTENEGRO ITH Trading Co Doo Majke Jevrosime 26 1100 Beograd Serbia Tel: +381 11 3240627 Fax: +381 11 3240627 http://www.hondasrbija.co.rs sstevanovic@ithtrading.co.rs</p>	

HONDA
The Power of Dreams